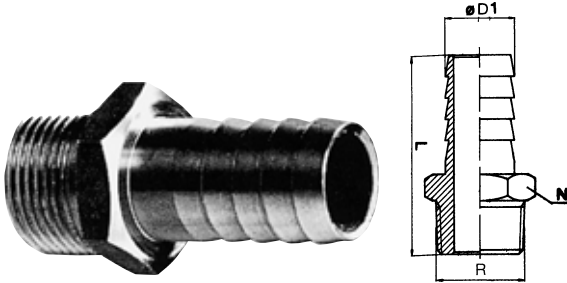
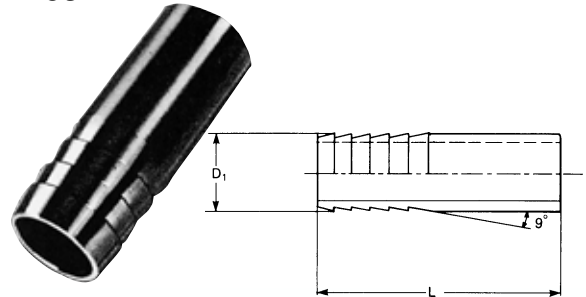


### Hose nipple with hexagonal catch 12039 XX



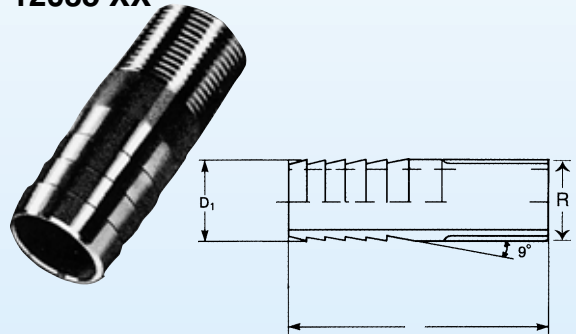
Hose nipple Hose NS	R	D1	Lmm	N mm	XX
6	1/8"	6.50	36	14	02
6	1/4"	6.50	40	14	06
8	1/4"	8.50	40	14	07
10	1/4"	11	40	14	08
10	3/8"	11	42	17	10
13	3/8"	14	42	17	13
16	3/8"	17	46	17	14
10	1/2"	11	48	22	16
13	1/2"	14	48	22	15
16	1/2"	17	48	22	18
20	1/2"	20	52	22	20
20	3/4"	20	56	27	21
25	3/4"	26	56	27	25
25	1"	26	65	36	26
25	1 1/4"	26	75	46	30
32	1 1/4"	33	75	46	32
40	1 1/2"	41	78	50	40
50	2"	51	96	65	50

### Hose nipple for welding 12037 XX



Hose nipple for welding NS	Putki	D 1	L mm	XX
6	1/8"	10,2	70	01
8	1/4"	13,5	70	02
10	3/8"	17,2	70	03
15	1/2"	21,3	70	04
20	3/4"	26,9	70	05
25	1"	33,7	70	06
32	1 1/4"	42,4	70	07
40	1 1/2"	48,3	100	08
50	2"	60,3	100	09
65	2 1/2"	76,1	100	10
80	3"	88,9	100	11

### Hose nipple for screwed connection 12038 XX



Hose nipple for screwed conn. NS	R	D 1	L mm	XX
6	1/8"	10,2	70	01
8	1/4"	13,5	70	02
10	3/8"	17,2	70	03
15	1/2"	21,3	70	04
20	3/4"	26,9	70	05
25	1"	33,7	70	06
32	1 1/4"	42,4	70	07
40	1 1/2"	48,3	100	08
50	2"	60,3	100	09
65	2 1/2"	76,1	100	10
80	3"	88,9	100	11