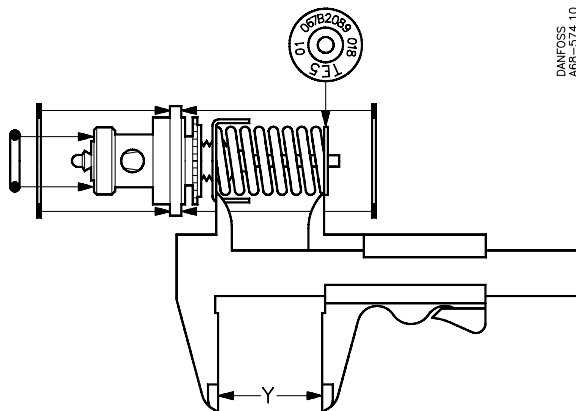


INSTRUCTIONS

Orifice for TE 5 and PHT

067R9500

067R9500



DANFOSS
A68-574.10

Valve type	Orifice no.	Orifice code no.	Y = ±1 mm				
			R 12	R 22	R 134a	R 404A	R 502
TE 5	01	067B2089	28	26	27	27.5	26
TE 5	02	067B2090	28	26	27	27.5	26
TE 5	03	067B2091	28	26	27	27.5	26
TE 5	04	067B2092	28	26	27	27.5	26
PHT		067B2089	27	27	26	-	27