

SC-CL Compressors (LBP/MBP)

R404A/R507

220-240V 50Hz

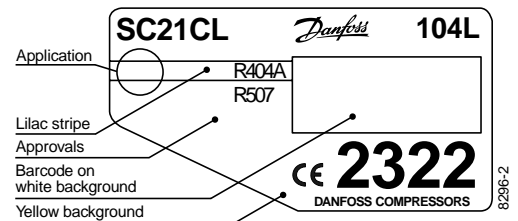
Data Sheet (Replaces CD.54.I1.02)

General

Compressor	SC18CL	SC21CL
Code number	104L2123	104L2322

Application

Application	LBP	
Evaporating temperature range	°C	-45 to -5 -45 to -10
Voltage range	V/Hz	198 - 254 /50
Motor type	CSR	
Max. ambient temperature	°C	38
Comp. cooling at ambient temp.	32°C	F ₂
	38°C	F ₂



- S = Static cooling normally sufficient
- O = Oil cooling
- F₁ = Fan cooling 1.5 m/s (compressor compartment temperature equal to ambient temperature)
- F₂ = Fan cooling 3.0 m/s necessary

Design

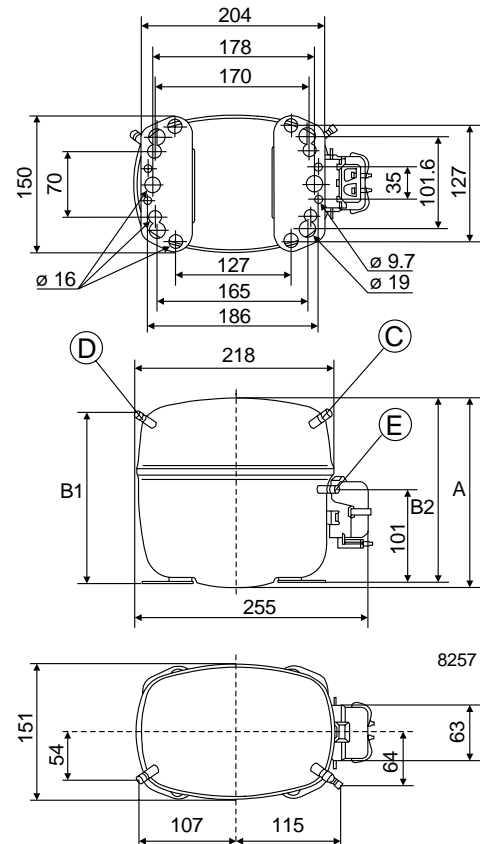
Displacement	cm ³	17.69	20.95
Oil quantity	cm ³	600	
Maximum refrigerant charge	g	1300	
Free gas vol. in compressor	cm ³	1460	
Weight without electrical equipment	kg	13.7	14.0

Motor

Motor size	watt	495	590
LRA (rated after 4 sec. UL984) HST	A	20.0	23.4
Cut-in current HST	A	20.0	23.4
Resistance, main and start winding (25°C) Ω		3.7/14.1	3.4/14.4
Approvals	EN60 335-1, EN60 335-2-34 §19.3		

Dimensions

Height	mm	A	219
		B	213
		B1	193
		B2	110
Suction connector	location/l.D. mm	C	10.2 ±0.09
Process connector	location/l.D. mm	D	6.2 ±0.09
Discharge connector	location/l.D. mm	E	6.2 ±0.09
Compressors on a pallet	pcs.	80	



Capacity (CECOMAF)

watt

Comp.°C	-45	-40	-35	-30	-25	-23.3	-20	-15	-10	-5
SC18CL	166	262	382	525	691	753	881	1095	1332	1593
SC21CL	226	325	455	617	813	887	1042	1306	1606	

Capacity (ASHRAE)

watt

Comp.°C	-45	-40	-35	-30	-25	-23.3	-20	-15	-10	-5
SC18CL	193	305	444	611	805	878	1027	1277	1556	1863
SC21CL	263	378	529	719	947	1033	1215	1524	1876	

Power consumption

watt

Comp.°C	-45	-40	-35	-30	-25	-23.3	-20	-15	-10	-5
SC18CL	317	378	446	521	603	632	692	789	893	1005
SC21CL	400	462	534	615	702	733	795	891	989	

Current consumption

A

Comp.°C	-45	-40	-35	-30	-25	-23.3	-20	-15	-10	-5
SC18CL	2.53	2.65	2.85	3.10	3.41	3.52	3.76	4.17	4.61	5.08
SC21CL	2.40	2.63	2.94	3.31	3.71	3.86	4.14	4.58	5.00	

COP (CECOMAF)

W/W

Comp.°C	-45	-40	-35	-30	-25	-23.3	-20	-15	-10	-5
SC18CL	0.52	0.69	0.86	1.01	1.15	1.19	1.27	1.39	1.49	1.59
SC21CL	0.57	0.70	0.85	1.00	1.16	1.21	1.31	1.47	1.62	

COP (ASHRAE)

W/W

Comp.°C	-45	-40	-35	-30	-25	-23.3	-20	-15	-10	-5
SC18CL	0.61	0.81	1.00	1.17	1.34	1.39	1.48	1.62	1.74	1.85
SC21CL	0.66	0.82	0.99	1.17	1.35	1.41	1.53	1.71	1.90	

Test conditions
 Condensing temperature 45°C
 Ambient and suction gas temperature 32°C
 Liquid temperature 45°C
 Fan cooling F₂, 220V 50Hz

CECOMAF	ASHRAE
45°C	45°C
32°C	32°C
45°C	32°C

Accessories

Devices	Fig.	SC18CL	SC21CL
Starting device	a3	117-7012	
Starting relay	a2	Components of starting device	
Starting capacitor 80 μF	c		
Run capacitor	e		
Cover	b	103N2002	
Cord relief	d	103N1004	
Mounting accessories			
Bolt joint for one compressor		118-1917	
Bolt joint in quantities		118-1918	
Snap-on in quantities		118-1919	

