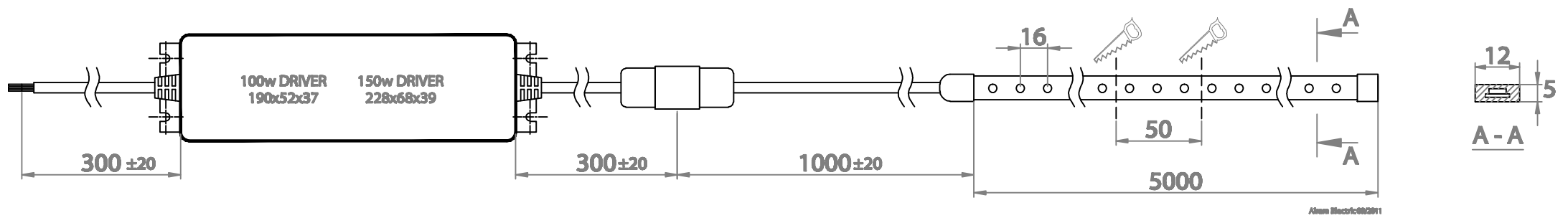


A2TR_
TRITON



Alman Electric 02/2011