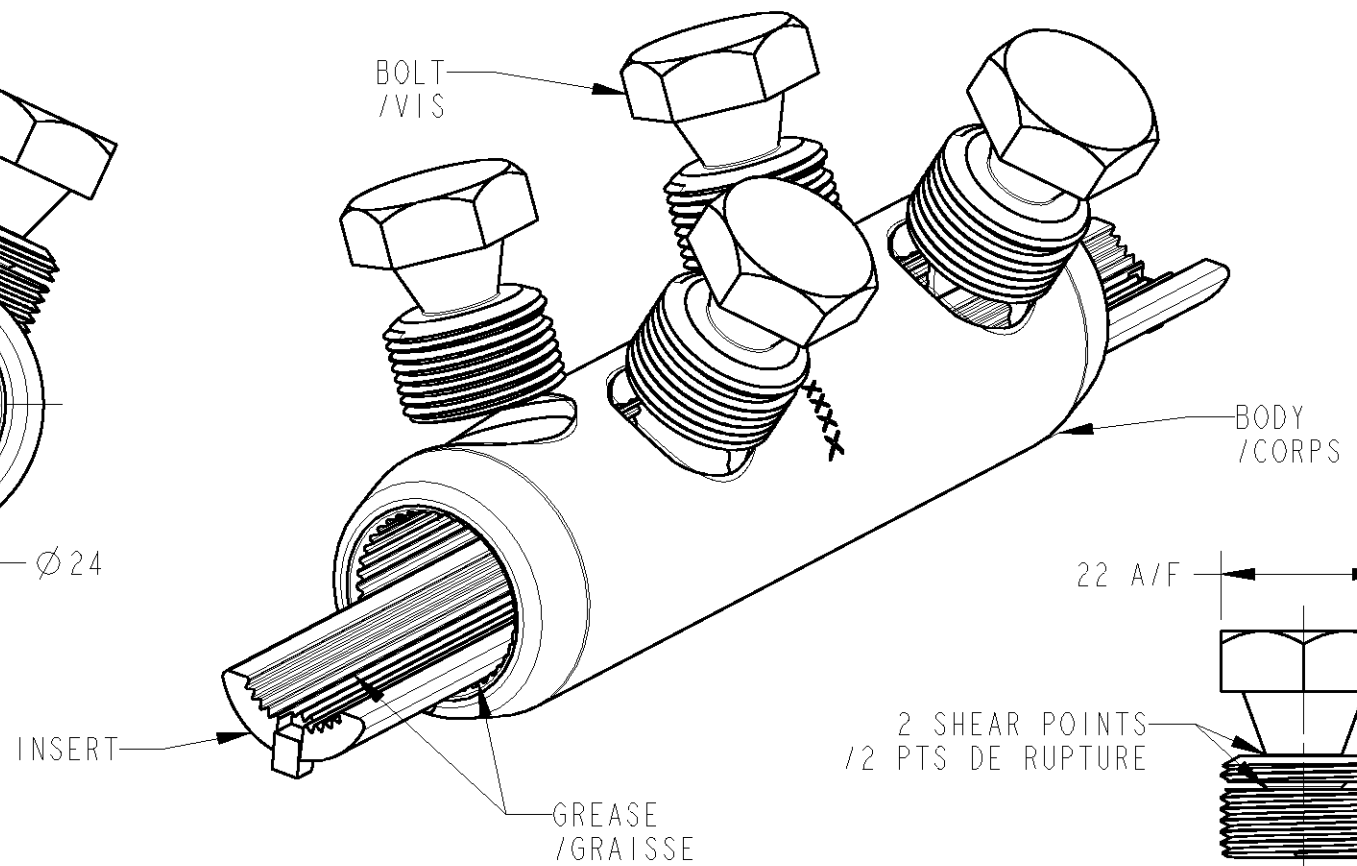
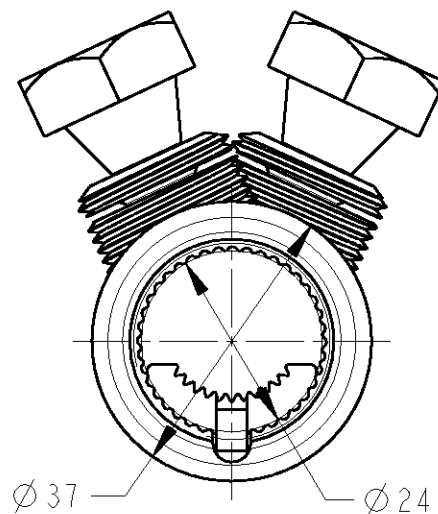
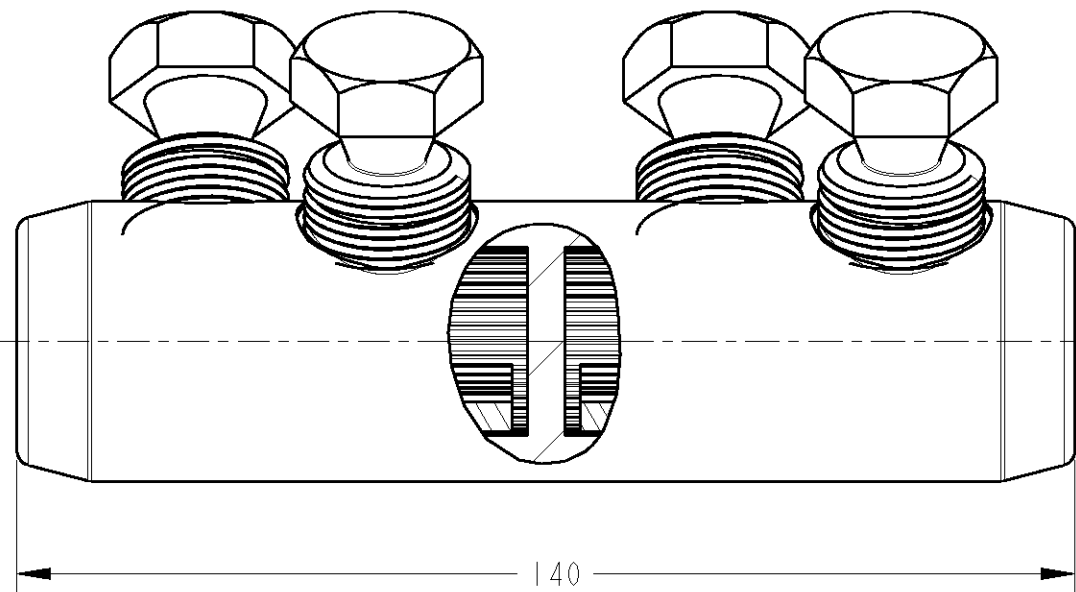


THIS DRAWING IS UNPUBLISHED.
 DIFFUSION RESTREINTE
 © COPYRIGHT 20 BY TYCO ELECTRONICS CORPORATION. ALL RIGHTS RESERVED.
 TOUS DROITS RESERVES

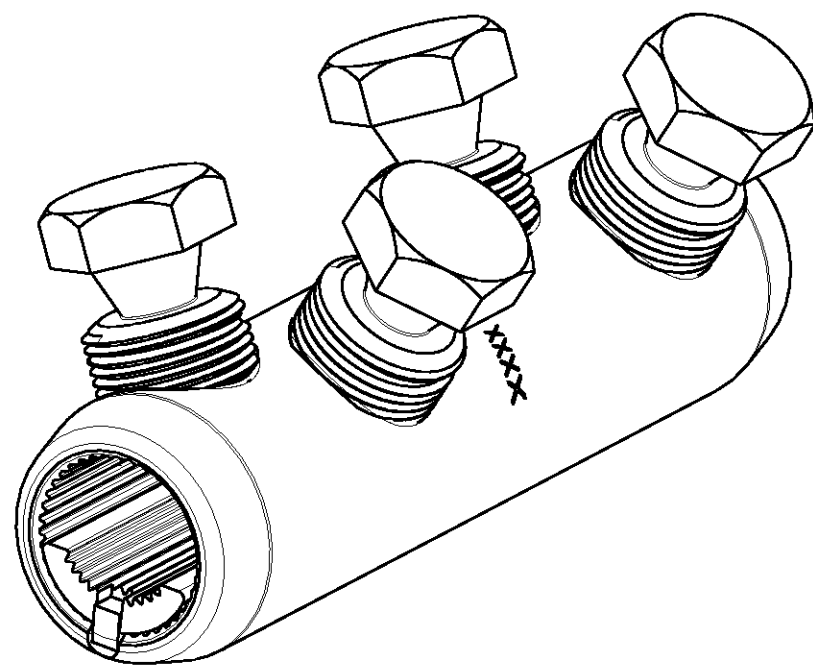
RELEASED FOR PUBLICATION
 LIBRE A LA DIFFUSION 20

LOC	DIST	REVISIONS				
P	LTR REV	DESCRIPTION MODIFICATIONS	DATE	DWN DESS.	APVD APP.	
FH	2					
	0	CREATION	22MAR2005	NA	AD	
	A	ADDITIONAL PRODUCT	01MAR2007	RB	NA	
	B	DELETE PRODUCT	12FEB2008	BM	AG	

DESCRIPTION	PN	TYPE
BSMB-120/300	8-1201726-9	BLOCKED
BSMU-120/300	3-1201727-2	UNBLOCKED



	AL				CU	
	ROUND STRANDED /Rond câblé /RM	ROUND SOLID /Rond solide /RE	SECTOR STRANDED /Sectoral câblé /SM	SECTOR SOLID /Sectoral câblé /SE	ROUND STRANDED /Rond câblé /RM	SECTOR STRANDED /Sectoral câblé /SM
CONDUCTOR CROSS-SECTION /Section conducteur /Querschnittsbereich mm ²	120-300	150-300	120-185 (240 with rounding) (240 gerundet)	120-240	120-300	120-185 (240 with rounding) (240 gerundet)
CONDUCTOR DIAMETER /Diamètre conducteur /Leiterdurchmesser mm	Ø12.7-Ø23.1	Ø12.9-Ø19.8	-	-	Ø12.7-Ø22.6	-



THIS DRAWING IS A CONTROLLED DOCUMENT FOR TYCO ELECTRONICS CORPORATION IT IS SUBJECT TO CHANGE AND THE CONTROLLING ENGINEERING ORGANIZATION SHOULD BE CONTACTED FOR THE LATEST REVISION.
 CE PLAN EST UN DOCUMENT CONTROLE PAR TYCO ELECTRONICS CORPORATION IL EST SUSCEPTIBLE D'ETRE REVISE. POUR OBTENIR LA DERNIERE REVISION, CONTACTER LE SERVICE TECHNIQUE DE TYCO ELECTRONICS SIMEL SAS, 21220 BEVRET-CHAMBERTIN, FRANCE.

DWN/DESSINE 22MAR2005
 N. ALMEIDA
 CHK/VERIFIE A. BAZEROLLE
 APVD/APPROUVE N. ALMEIDA
 PRODUCT SPEC SPEC. PRODUIT -
 APPLICATION SPEC SPEC. APPLICATION IEC 61238-1
 WEIGHT MASSE APPROX. 315 g

Tyco Electronics SIMEL

NAME TITRE BSMU-120/300
 BSMB-120/300

SIZE FORMAT A3 CAGE CODE - DRAWING NO No PLAN C=1727497 RESTRICTED TO RESERVE A -

MATERIAL MATIERE AL ALLOY FINISH FINITION TINNED

CUSTOMER DRAWING /PLAN CLIENT UNTOUEMENT POUR REFERENCE SCALE ECHELLE SHEET FEUILLE OF DE REV B