

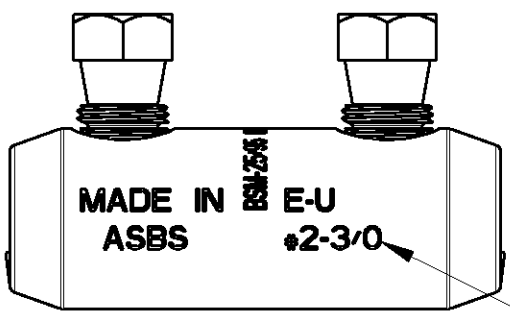
THIS DRAWING IS UNPUBLISHED. / RELEASED FOR PUBLICATION / DIFFUSION RESTREINTE / LIBRE A LA DIFFUSION / 20

© COPYRIGHT 20 BY TYCO ELECTRONICS CORPORATION. ALL RIGHTS RESERVED. / TOUS DROITS RESERVES

LOC: FH / DIST: 2

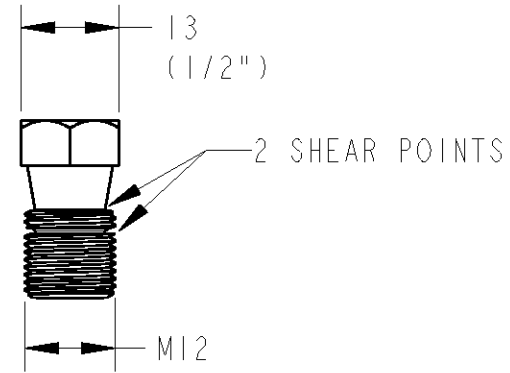
| REVISIONS | | | | |
|-----------|---------|----------------------------|-----------|------------------|
| P | LTR REV | DESCRIPTION MODIFICATIONS | DATE | DWN DESS. / APP. |
| | 0 | TABLE UPDATED | 22JUL2003 | JB / AD |
| | A | UPDATED | 26APR04 | PB / AD |
| | B | MODIFICATION OF RANGE SIZE | 24MAY2006 | BP / AD |
| | C | ADDITIONAL PRODUCTS | 14DEC2007 | BM / AG |

ASBS-2-3/0

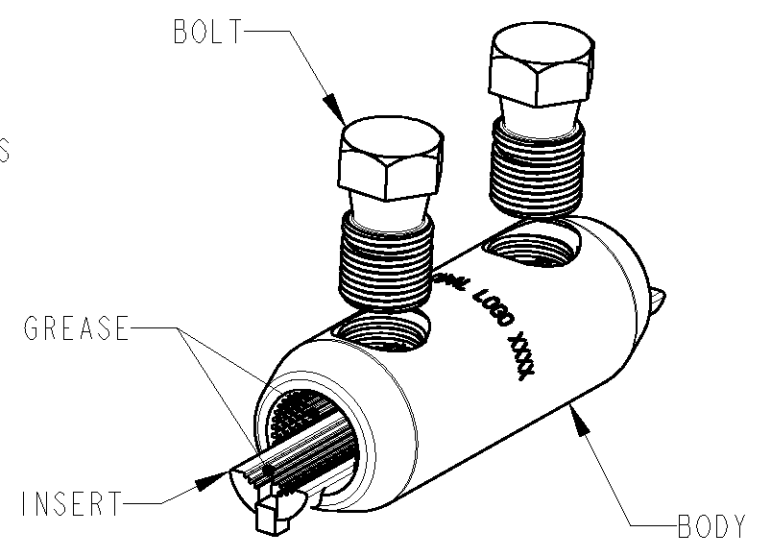
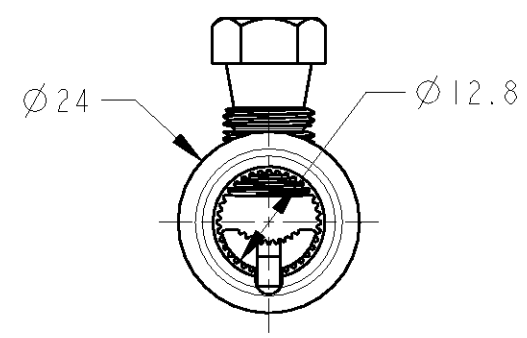
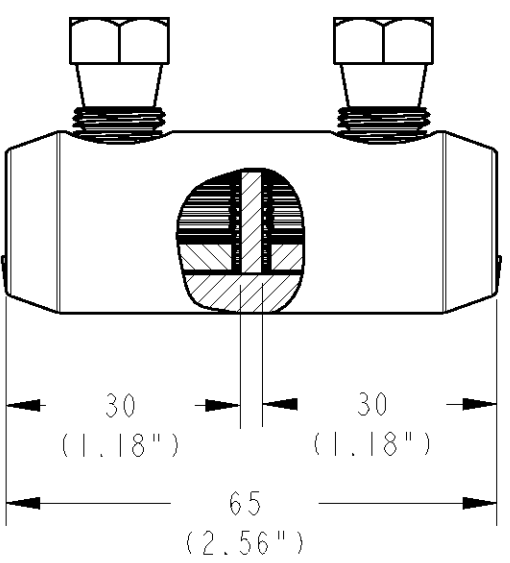


| | | | |
|-------------|-------------|------------|-------------|
| ASBS-2-3/0 | 1574846-4 | CL8618-000 | YES |
| BSM-25/95-U | 6-1200810-1 | F40757-000 | NO |
| BSM-25/95 | 8-1200721-2 | C85068-000 | NO |
| DESCRIPTION | PN | RPN | INK-MARKING |

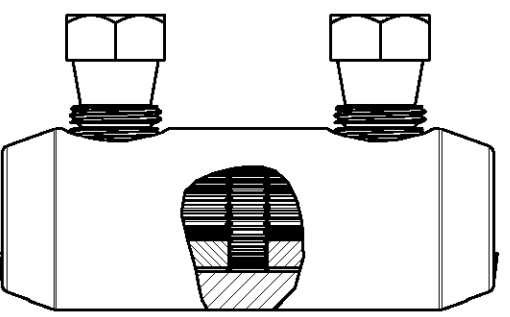
INK MARKING



BSM-25/95



BSM-25/95-U



| | | AL | | | CU | | |
|---|-----------------|-------------------------|----------------|--------------------------|----------------|-------------------------|--------------------------|
| | | RM ROUND STRANDED | RE ROUND SOLID | SM SECTOR STRANDED | RE ROUND SOLID | RM ROUND STRANDED | SM SECTOR STRANDED |
| CONDUCTOR CROSS-SECTION QUERSCHNITTSBEREICH | mm ² | 25-95 | 16-95 | 25-70 (95 with rounding) | 10-50 | 10-95 | 25-70 (95 with rounding) |
| | " | 2 to 3/0 kcmil standard | | | | 2 to 3/0 kcmil standard | |
| CONDUCTOR DIAMETER LEITERDURCHMESSER | mm | Ø5.6-Ø12.5 | Ø4.1-Ø11 | - | Ø3.6-Ø8 | Ø3.6-Ø12.5 | - |
| | " | .268" to .470" | | - | | .268" to .470" | - |

TOLERANCES UNLESS OTHERWISE SPECIFIED: -
TOLERANCES NON SPECIFIEES: -

THIS DRAWING IS A CONTROLLED DOCUMENT FOR TYCO ELECTRONICS CORPORATION. IT IS SUBJECT TO CHANGE AND THE CONTROLLING ENGINEERING ORGANIZATION SHOULD BE CONTACTED FOR THE LATEST REVISION.

CE PLAN EST UN DOCUMENT CONTROLE PAR TYCO ELECTRONICS CORPORATION. IL EST SUSCEPTIBLE D'ETRE REVISE. POUR OBTENIR LA DERNIERE REVISION, CONTACTER LE SERVICE TECHNIQUE DE TYCO ELECTRONICS SIMEL SAS, 21220 BEVRET-CHAMBERTIN, FRANCE.

| | | |
|---|--|--------------------------------|
| DWN/DESSINE: J. BERLAND / 09/04/02 | Tyco Electronics | AMP SIMEL |
| CHK/VERIFIE: A. DUPONT | | |
| APVD/APPROUVE: N. ALMEIDA | NAME TITRE: BSM-25/95 / BSM-25/95-U / ASBS-2-3/0 | |
| PRODUCT SPEC SPEC. PRODUIT: IEC 61238 | SIZE FORMAT: A3 | DRAWING NO No PLAN: C-1574846 |
| APPLICATION SPEC SPEC. APPLICATION: IEC 61238 | WEIGHT MASSE APPROX.: 75 g | RESTRICTED TO RESERVE A: - |
| MATERIAL MATIERE: AL ALLOY | FINISH FINITION: TINNED | CUSTOMER DRAWING / PLAN CLIENT |

UNIQUEMENT POUR REFERENCE / SCALE ECHELLE: / SHEET FEUILLE: / OF DE: / REV: C