

DECLARATION OF CONFORMITY

The TAIZHOU CHUANGJU VALVE Co, Ltd manufacture of valves, fittings, kitchen & bathroom accessories, with head office in Chumen Zhongshan Industrial Zone 317600 Yuhuan Zhejiang China declares under its sole responsibility that the butterfly handle ball valve series with following code have been built according to industry standards and conform to their technical specifications, respecting the company Quality system complies with UNI EN ISO 9001, The ball valves conform to the European standard EN 13828.

Butterfly Handle Ball Valve

Pressure class(bar): PN25

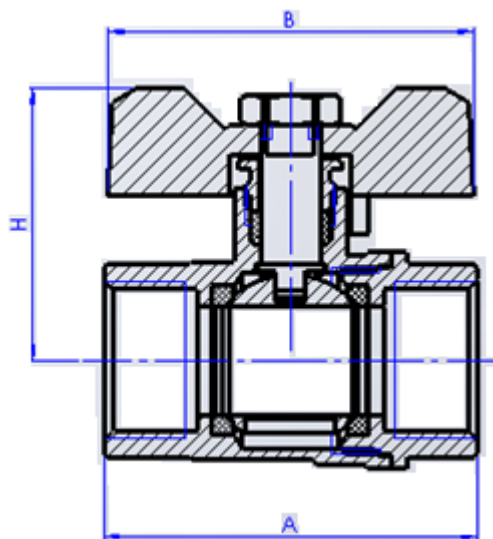
Production standards: EN13828

Purposes of usage: Suitable for water, gas

Working temperature: (-20 +120 °C)

Maximum working pressure: 25 bar

Dimensions: as follow



Code	Size	Dimension(mm)			PN
		A	B	H	
3703108	1/2"	50	49	41	25
3703109	1/2"	57	49	41	25
3703110	3/4"	68	79	41	25
3703111	1"	73	65.5	41	25
3703113	1/4"	44	55.5	37.5	32