

Light is OSRAM

OSRAM**Product data sheet: ELEMENT 30/220-240/24****Constant Voltage LED Power Supply 24V**

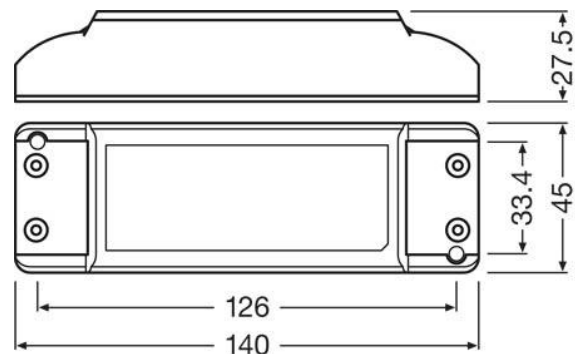
The reliable choice for the decorative lighting, compact size and well tested by Osram quality standards, fits all flex applications in retails, hotel, restaurants and industries.

**Benefits**

Compatible with OSRAM Flex;
High efficiency up to 86%
Class II design for wide applications
Excellent price/quality/watt ratio

Applications

Hospitality – decorative lighting night light
Restaurants – decorative lighting
Shops – decorative lighting, shelf lighting
Residential – cove lighting, under cabinet lighting



Approval marks (Under preparation if not shown on label)



Housing material: plastic, grey

L: 140mm
L1: 126mm
W: 45mm
W1: 33.4mm
H: 27.5mm
D: 3.2mm

Product Features

- 24V constant output voltage
- SELV
- Output power up to 30W
- Mains voltage 220-240V
- High efficiency up to 86%
- 50`000 h lifetime at $t_c = 75^\circ\text{C}$
- Overload protection
- Over temperature protection
- Short circuit protection
- Wide ta range: $-20\dots +45^\circ\text{C}$
- Case temperature up to 85°C

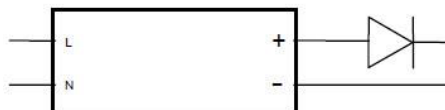
Electrical Specifications

	Item	Value	Unit	Remarks
Input	Nominal Voltage	220 - 240	V _{AC}	
	Nominal frequency	50 - 60	Hz	
	AC voltage range	198 – 264	V _{AC}	
	Nominal current	0.2	A	
	Total Harmonic Distortion (THD)	< 20	%	Full load, 220-240 V, 50 Hz
	Power factor	> 0.9		Load from 15W to 30W at 220-240V, 50Hz
	Efficiency	86	%	Full load, 220-240 V, 50 Hz
	Protection class	II		
	Inrush current	< 8	A pk	th = 0.1 ms
	Max. units per circuit breaker	B16: 55; B10:35		I max = 7.1 A
Touch current	< 0.7	mA		
Output	Nominal voltage range	24	V _{DC}	
	Minimum voltage	23.3	V _{DC}	
	Maximum voltage	25	V _{DC}	
	Voltage ripple (typical)	< 6	%	peak-to-peak
	Nominal power range	5 – 30	W	
	Maximum power	30	W	
	Galvanic isolation	SELV		
Environment	Ambient temperature range t _a	-20...+45	°C	
	Maximum case temperature t _c	85	°C	Measured on t _c point indicated of the product label.
	Max. Case temp. in fault condition	110	°C	
	Storage temperature range	-20...+80	°C	Cool down before operating
	Relative humidity	5...95	%	Not condensing
	Surge transient protection	1	kV	L/N
	Environmental rating	Indoor		
	IP rating	IP 20		
	Mains switching cycles	> 50'000		10 sec on, 10 sec off
	Expected lifetime	30'000 50'000	hrs	t _c = 85°C t _c = 75°C

Protections

- **Output short circuit protection:** short circuit current is limited to 2pprox..1.9A without damage to the unit and for unlimited time. Be sure the load is designed to withstand the short circuit current as well.
- **Output overload protection:** the unit is intrinsically protected against over loading because the output current is limited.
- **Over temperature protection:** the unit is protected against temporary overheating by shut down the unit. The protection is automatically reversible, without mains switchover.

Wiring Diagram



“H03VVH2-F 2x0.75mm²” cable is recommended. For other cable up to 1.5mm², please make sure cable fulfill IEC 60598-1 clause 5.2 requirement and installed by professional electrician.

Ordering information

Product name	EAN10	EAN40	Pieces / box
ELEMENT 30/220-240/24	4052899463776	4052899463783	20

OSRAM GmbH

Head Office:

Marcel-Breuer-Strasse 6
80807 Munich, Germany
Phone +49 89 6213-0
www.osram.com

OSRAM