

Data Sheet

Danfoss Link™ Connect Thermostat

Application



Connect is an electronic radiator thermostat for residential use with a *Danfoss Link™* system (for further information on the system, please refer to separate data sheet for *Danfoss Link™* Central Controller).

Connect is easy to install and is supplied with adapters for all thermostatic valves manufactured by Danfoss and most other radiator valve manufacturers.

Connect is battery powered, compact and very easy to operate with only three buttons on the front and wireless connection to *Danfoss Link™* Central Controller.





Connect features (in a *Danfoss Link™* system):

- Provides a high level of comfort
- Energy saving
- Easy to install
- Easy to operate with only three buttons
- Variable set points and up to 3 set-back periods per day
- PID control (precise temperature regulation)
- Adaptive learning
- Weekly programs with adjustable temperature set-backs
- Min./max. temp. limitation
- Open-window function
- At home/Away modes
- Vacation mode
- Valve exercise function
- Pause function
- Child lock
- Backlit display
- Battery lifetime up to 2 years

Ordering

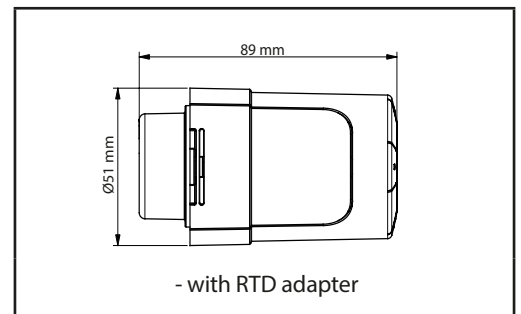
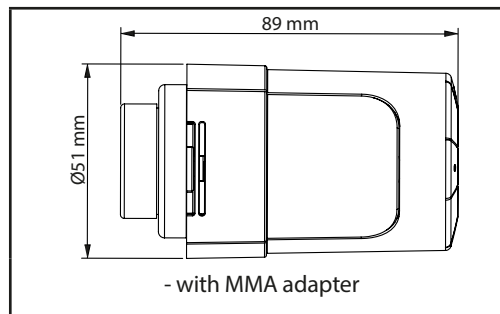
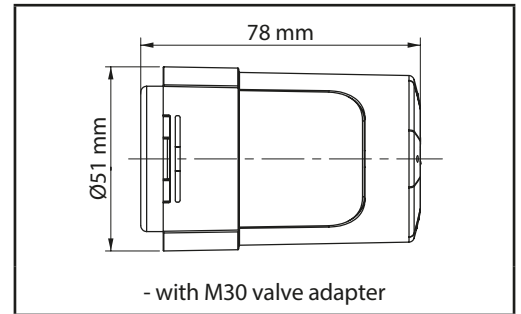
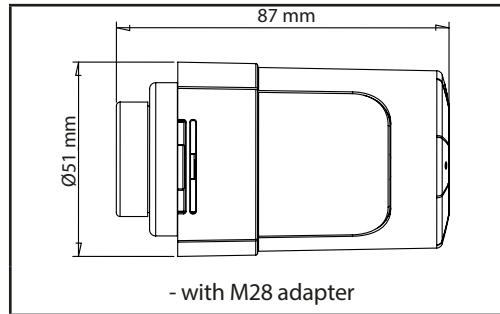
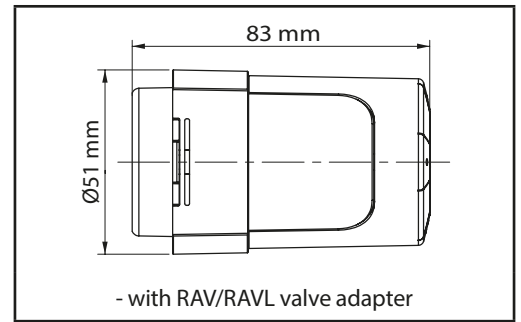
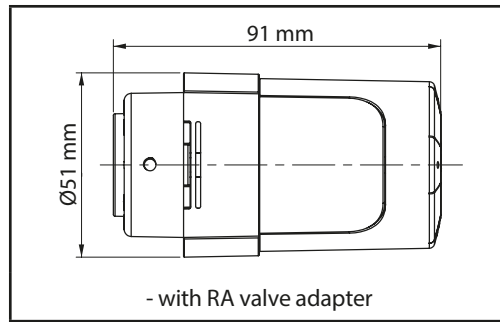
Adapters (included)	Languages	Code no.
Danfoss RA, RAV, RAVL, M30	DE, FR, IT	014G0540
Danfoss RA, RTD, M30	CZ, PL, UK	014G0541
Danfoss RA, M30	FI, EE, LV, LT, UK	014G0542
Danfoss RA, RAV, RAVL, M30, M28 MMA	SE	014G0543
Danfoss RA, RAV, RAVL, M30	DK	014G0544
Danfoss RA, M30, M28 HERZ	IT, DE	014G0545
Danfoss RA, M30, M28 COMAP	FR	014G0546
Danfoss RA, M30, M28 ORKLI	ES	014G0547

Specifications

Thermostat type	Programmable electronic radiator valve controller
Recommended use	Residential
Actuator	Electromechanical
Display	Grey digital with backlight
Software classification	A
Temperature Control	PID
Transmission frequency / range	868.42 MHz / up to 30 m
Power supply	2 x 1.5 V alkaline AA batteries
Power consumption	3 μ W in standby, 1.2 W when active
Battery life	Up to 2 years
Low battery signal	Battery icon will flash in display. If battery level is critical, the whole display will flash.
Ambient temperature range	0 to 40 °C
Transportation temperature range	-20 to 65 °C
Maximum water temperature	90 °C
Temperature setting range	4 to 28 °C
Measurement interval	Measures temperature every minute
Clock accuracy	+/- 10 min/year
Spindle movement	Linear, up to 4.5 mm, max. 2 mm on valve (1 mm/s)
Noise level	<30 dBA
Safety classification	Type 1
Open-window function	Activated at temperature decrease of approx. 0.5 °C over 3 min.
Weight (incl. batteries)	177 g (with RA adapter)
IP class	20 (not to be used in hazardous installations or in places where it will be exposed to water)
Approvals, markings etc.	   

Tested for safety and EMC requirements as specified in EN 60730-1, EN 60730-2-9 and EN 60730-2-14.

Dimensions



Danfoss A/S
Residential Heating
Haarupvaenget 11
8600 Silkeborg
Denmark
Phone: +45 7488 8000
Fax: +45 7488 8100
Email: heating.solutions@danfoss.com
www.heating.danfoss.com

Danfoss can accept no responsibility for possible errors in catalogues, brochures and other printed material. Danfoss reserves the right to alter its products without notice. This also applies to products already on order provided that such alterations can be made without consequential changes being necessary in specifications already agreed.
All trademarks in this material are property of the respective companies. Danfoss and the Danfoss logotype are trademarks of Danfoss A/S. All rights reserved.