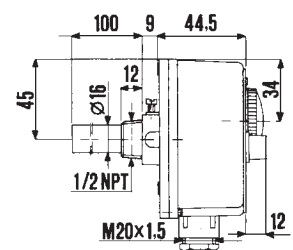
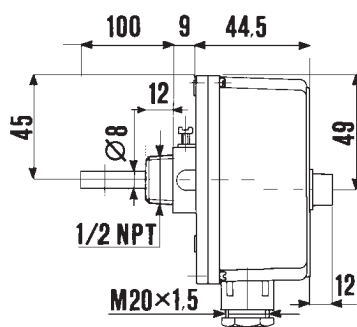
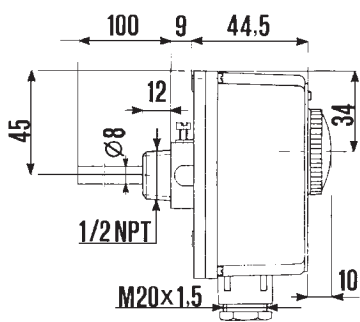
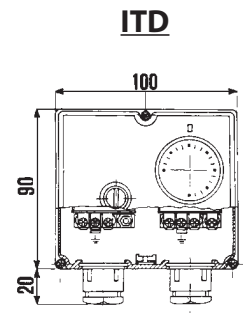
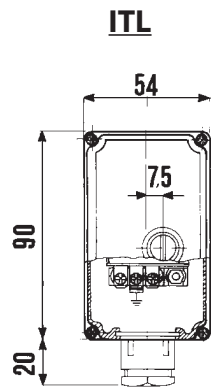
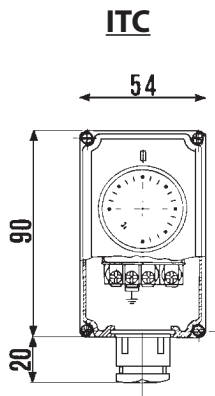
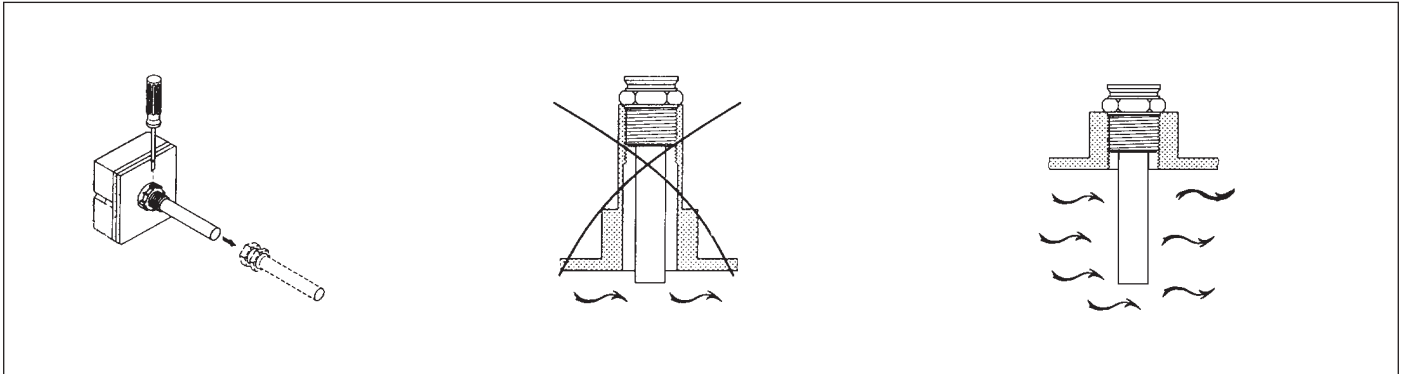
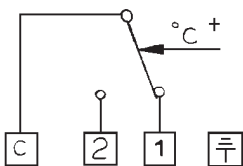


Installation Instructions

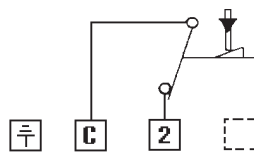
ITC, ITL & ITD Immersion Thermostats



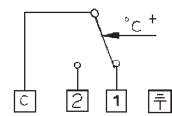
Control



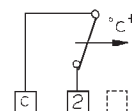
Limit



Control



Limit



Installation Instructions

Thermostats	ITC Control	ITC Control (tamperproof)	ITL Limit	ITD Dual	ITD Dual
Order Codes	099-1057	099-1058	099-1059	099-1061	099-1062
Control Function (Thermal Reset)	●	●			●
Limit Function (Manual Reset)			●		●
Dual Control and Limit Function					●
Temperature Range (°C)	0-90	0-90		0-90	0-90
Temperature Range (Limit)			90-110°C, Factory set to 90°C		90-110°C, Factory set to 80°C
Switching Differential	4 ± 1K	4 ± 1K	-	4 ± 1K	
Switch Configuration	SPDT	SPDT	SPST	SPDT (control), SPST (limit)	
Switch Voltage Rating	220/240 Vac				
Switch Current Rating	10 (2.5) A				
Max. Ambient Temperature (Head)	65°C	65°C	80°C	80°C	
Max. Medium Temperature	150°C	150°C	150°C	150°C	
Supplied with ½" BSP(m) x 100mm Pocket	●	●	●	●	
Dimensions of Thermostat Head (mm)	Wide High Deep	55 110 55.5	55 110 55.5	55 110 56.5	100 110 56.5

Please note that on ITD model, code 099-1062, the temperature range of the limit thermostat is set at 80°C and cannot be altered.

This product complies with the following EC Directives:
 Electro-Magnetic Compatibility Directive.
 (EMC) (2004/108/EC)
 Low Voltage Directive.
 (LVD) (2006/95/EC)

