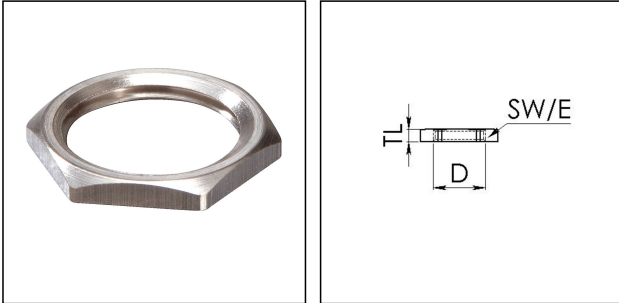


NMMU 3/4

Lochnut, brass nickel-plated, NPT 3/4"



Products may differ in size, colour and appearance to those shown. If you require further information or customisation, please contact us directly.



| | |
|--------------------------------|---------------------|
| Material | Brass nickel-plated |
| Surface | Nickel-plated |
| Temp. range min | -200 °C |
| Temp. range max | 250 °C |
| Thread type | NPT |
| Ø Connection thread D | 3/4" |
| Key width SW | 32 mm |
| Collar diameter (E) | 36 mm |
| Total length TL | 5,5 mm |
| Order no. nickel-plated | 10100975 |
| Type | NMMU 3/4 |
| Packing unit | 100 |
| ETIM-Classification | EC000940 |

30.04.2021

Your Contact:

WISKA Hoppmann GmbH

Kisdorfer Weg 28 · 24568 Kaltenkirchen · Germany

☎ +49-4191-508-0 · 📠 +49-4191-508-209

contact@wiska.de · www.wiska.com



Your Contact:

WISKA Hoppmann GmbH

Kisdorfer Weg 28 · 24568 Kaltenkirchen · Germany

☎ +49-4191-508-0 · 📠 +49-4191-508-209

contact@wiska.de · www.wiska.com