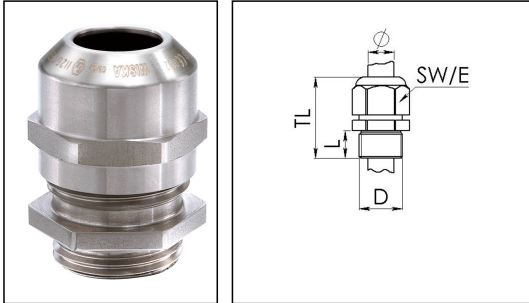


ESSKE-4 12

Ex-cable gland, stainless steel 1.4404, M12



Products may differ in size, colour and appearance to those shown. If you require further information or customisation, please contact us directly.



| | |
|--------------------------|-----------------------------|
| Material cable gland | Stainless steel A4 (1.4404) |
| Material clamping cage | Polyamide |
| Material sealing gasket | EPDM |
| Temp. range min | -40 °C |
| Temp. range max | 75 °C |
| Protection class | IP68 (5 bar 30 min), IP66 |
| Type of protection | Ex eb, Ex tb |
| Ex-Certificate | IECEx, ATEX |
| Thread type | M |
| Ø Connection thread D | 12 |
| Lead | 1,5 |
| Length screw-in thread L | 5 mm |
| Ø cable diameter min | 4 mm |
| Ø cable diameter max | 7 mm |
| Ø cable diameter UL | 4,1 mm - 6 mm |
| Key width SW | 17 mm |
| Collar diameter (E) | 19 mm |
| Total length TL | 23 mm - 30 mm |
| Install. torques fitting | 4 N m |
| Install. torques cap nut | 4 N m |
| WISKA-Order no. | 10069232 |
| Type | ESSKE-4 12 |
| Packing unit | 10 |
| ETIM-Classification | EC000441 |

Your Contact:

WISKA Hoppmann GmbH

Kisdorfer Weg 28 · 24568 Kaltenkirchen · Germany

☎ +49-4191-508-0 · 📠 +49-4191-508-209

contact@wiska.de · www.wiska.com

Recommended accessories

| | |
|---------------|----------|
| RDE 12 | 10062183 |
| BS 7 | 10064005 |

30.04.2021

Your Contact:

WISKA Hoppmann GmbH

Kisdorfer Weg 28 · 24568 Kaltenkirchen · Germany

 +49-4191-508-0 ·  +49-4191-508-209

contact@wiska.de · www.wiska.com



Your Contact:

WISKA Hoppmann GmbH

Kisdorfer Weg 28 · 24568 Kaltenkirchen · Germany

☎ +49-4191-508-0 · 📠 +49-4191-508-209

contact@wiska.de · www.wiska.com