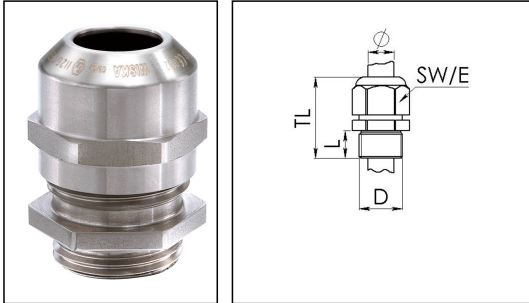


## ESSKE-4 32

Ex-cable gland, stainless steel 1.4404, M32



Products may differ in size, colour and appearance to those shown. If you require further information or customisation, please contact us directly.



|                          |                             |
|--------------------------|-----------------------------|
| Material cable gland     | Stainless steel A4 (1.4404) |
| Material clamping cage   | Polyamide                   |
| Material sealing gasket  | EPDM                        |
| Temp. range min          | -40 °C                      |
| Temp. range max          | 75 °C                       |
| Protection class         | IP68 (5 bar 30 min), IP66   |
| Type of protection       | Ex eb, Ex tb                |
| Ex-Certificate           | IECEX, ATEX                 |
| Thread type              | M                           |
| Ø Connection thread D    | 32                          |
| Lead                     | 1,5                         |
| Length screw-in thread L | 8 mm                        |
| Ø cable diameter min     | 13 mm                       |
| Ø cable diameter max     | 21 mm                       |
| Ø cable diameter UL      | 14,6 mm - 19,5 mm           |
| Key width SW             | 36 mm                       |
| Collar diameter (E)      | 40 mm                       |
| Total length TL          | 36 mm - 44 mm               |
| Install. torques fitting | 20 N m                      |
| Install. torques cap nut | 20 N m                      |
| WISKA-Order no.          | 10069236                    |
| Type                     | ESSKE-4 32                  |
| Packing unit             | 5                           |
| ETIM-Classification      | EC000441                    |

Your Contact:

WISKA Hoppmann GmbH

Kisdorfer Weg 28 · 24568 Kaltenkirchen · Germany

☎ +49-4191-508-0 · 📠 +49-4191-508-209

contact@wiska.de · www.wiska.com

**Recommended accessories**

|               |          |
|---------------|----------|
| <b>RDE 32</b> | 10062186 |
| <b>BS 21</b>  | 10064014 |

30.04.2021

Your Contact:

**WISKA Hoppmann GmbH**

Kisdorfer Weg 28 · 24568 Kaltenkirchen · Germany

 +49-4191-508-0 ·  +49-4191-508-209

contact@wiska.de · www.wiska.com



Your Contact:

**WISKA Hoppmann GmbH**

Kisdorfer Weg 28 · 24568 Kaltenkirchen · Germany

☎ +49-4191-508-0 · 📠 +49-4191-508-209

contact@wiska.de · www.wiska.com