

# CIRCO<sub>d</sub>

Installation – Commissioning – Maintenance

20160714

## Accessories

### Disc valve:

TRAC. The disc valve is made of sheet steel and is painted in our standard white colour, RAL 9003/NCS S 0500-N. The disc valve is also available in alternative standard colours: RAL 7037 dusty grey, RAL 9006 white aluminium, RAL 9005 jet black, RAL 9007 grey aluminium and RAL 9010 white.

Used on one side of the wall when only one sound baffle is required.

### Wall sleeve:

VGC. Circular telescopic wall sleeve made of galvanized sheet steel.

## Installation

Cut the opening according to the dimensions table. The baffle's integrated mounting frame has key holes. Fasten screws above and below the cut opening and then hook the transfer unit to secure it against the screws, see figure 1.

If a wall sleeve is used, it can be secured to the wall structure. Pull the wall sleeve apart or push it together to adjust it to the thickness of the relevant wall.

## Maintenance

The baffles can be cleaned, if necessary, using lukewarm water and dishwashing detergent.

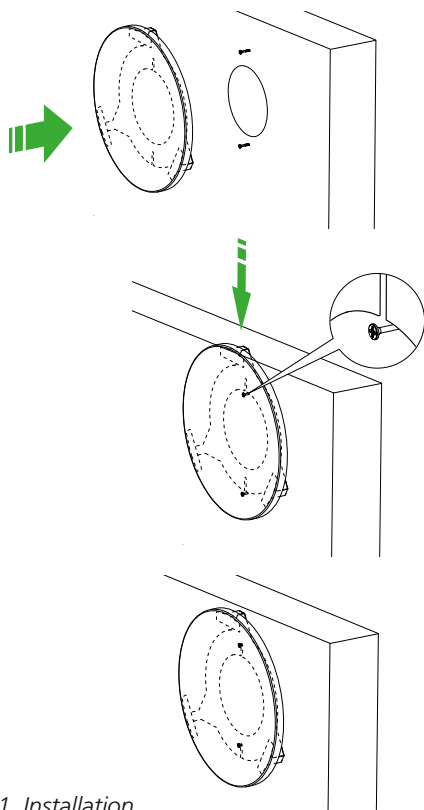


Figure 1. Installation.

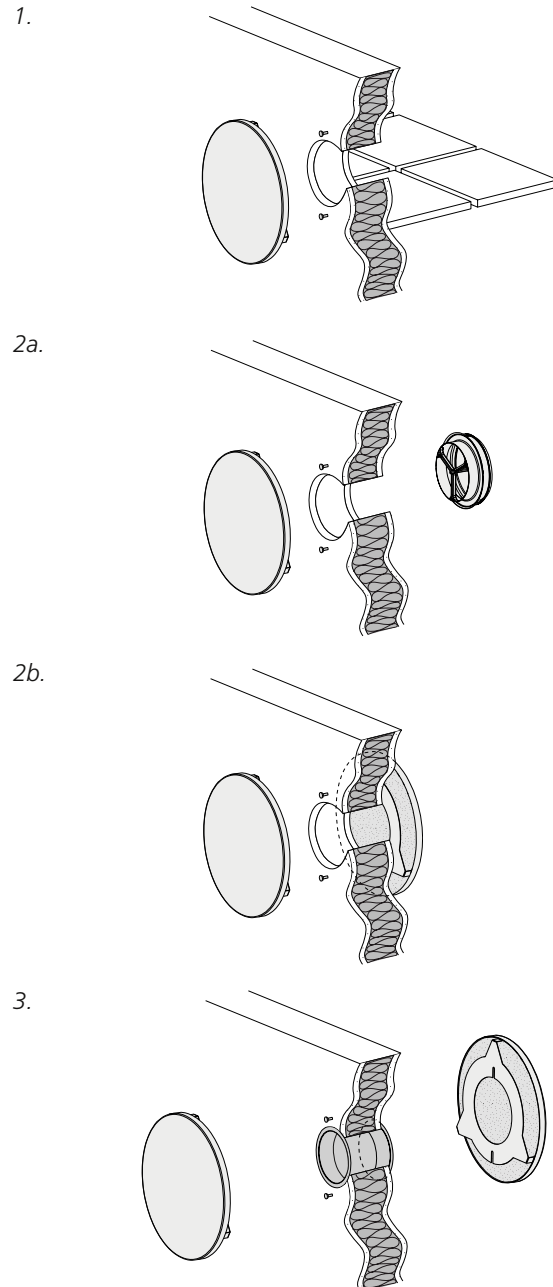


Figure 2. Application options.

1. Concealed installation towards a corridor.
2. Visible installation towards a corridor. The CIRCO can be supplemented with a TRAC (2a) disc valve, or double CIRCO (2b).
3. As in (2), but with VGC wall sleeve.

# Dimensions and weights

## CIRCO

Size	Dimensions (mm)			Weight (kg)*
	B	ØD	ØI	
80-125	160	228	80	1,06
80-125	160	228	100	1,06
80-125	160	228	125	1,06
160	200	304	160	1,86

Size of the opening, CIRCO = ØI.

\*Weight refers to 2 units.

Two physical sizes.

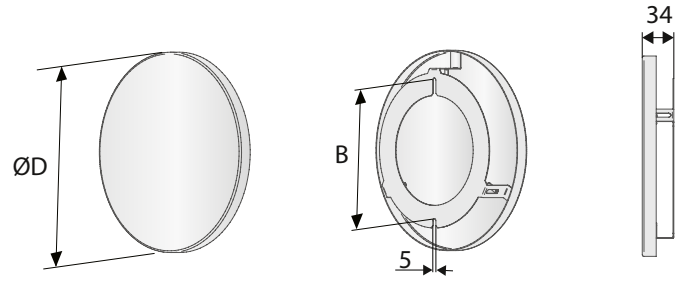


Figure 3. CIRCO, dimensions.

## VGC

Size	Dimensions (mm)		Weight (kg)
	C	ØD	
80	80-160	80	0,22
100	80-160	100	0,30
125	80-160	125	0,33
160	80-160	160	0,42

Size of opening, VGC = ØD + 3 mm.

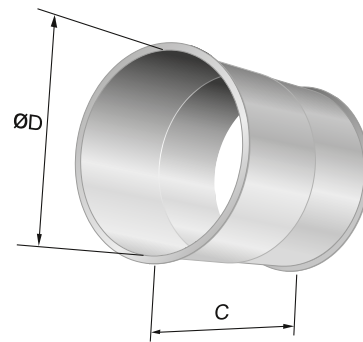


Figure 4. VGC, dimensions.

## TRAC

Size	Dimensions (mm)					Weight (kg)
	ØA	Ød	ØD	H <sub>max</sub>	s	
80	100	77	90	35	15±5	0,16
100	120	97	110	45	15±5	0,19
125	150	122	140	45	15±5	0,26
160	190	157	180	55	15±5	0,37

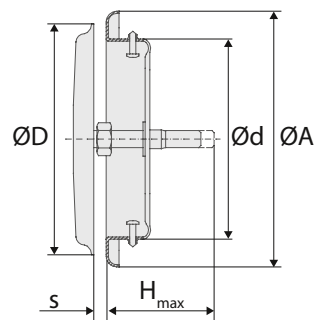


Figure 5. TRAC, dimensions.