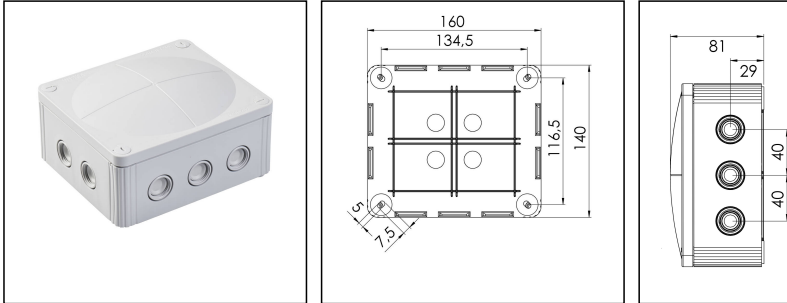


COMBI® MAR 1210 LG

Junction Box 160x140x81mm, Polypropylene, RAL 7035



Products may differ in size, colour and appearance to those shown. If you require further information or customisation, please contact us directly.



Material	Polypropylene
Material sealing gasket	TPE
Temp. range min	-30 °C
Temp. range max	100 °C
Temperatures during install.	-5 °C - 60 °C
Protection class	IP66 / IP67
Glow wire test	960 °C
Voltage	690 V
Terminals/poles	10 mm ²
Fixing	4 internal openings
Ø cable diameter min	3 mm
Ø cable diameter max	12 mm
External dimensions LxWxH	160 x 140 x 81 mm
Type of cable gland	M 25 x 1,5, M 20 x 1,5
Using for cable gland	
Product Color	RAL 7035
WISKA-Order no.	10101784
Type	COMBI® MAR 1210 LG
Packing unit	2
ETIM-Classification	EC002600

Remarks:

Mounting: 4 internal openings outside of the sealing area
 Equipment: 10 entries M20 with elastic soft membrane and thread and M25 knockout
 4 entries with self-sealing membrane at the bottom (M20)
 4 captive cover screws

Your Contact:

WISKA Hoppmann GmbH
 Kisdorfer Weg 28 · 24568 Kaltenkirchen · Germany
 ☎ +49-4191-508-0 · 📠 +49-4191-508-209
 contact@wiska.de · www.wiska.com

Recommended accessories

SP-HKT 1010 Terminal block

22000408

02.04.2020

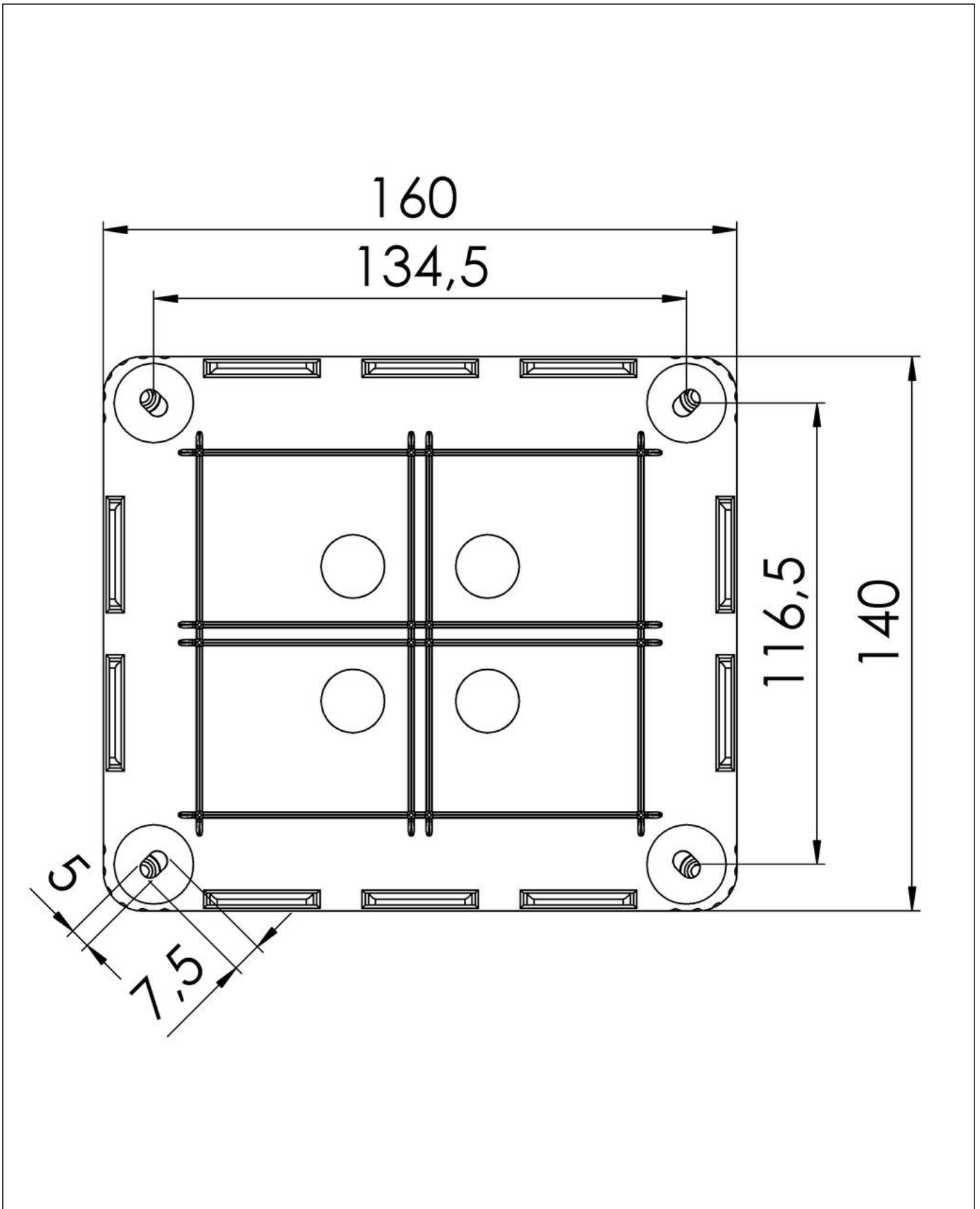
Your Contact:

WISKA Hoppmann GmbH

Kisdorfer Weg 28 · 24568 Kaltenkirchen · Germany

 +49-4191-508-0 ·  +49-4191-508-209

contact@wiska.de · www.wiska.com



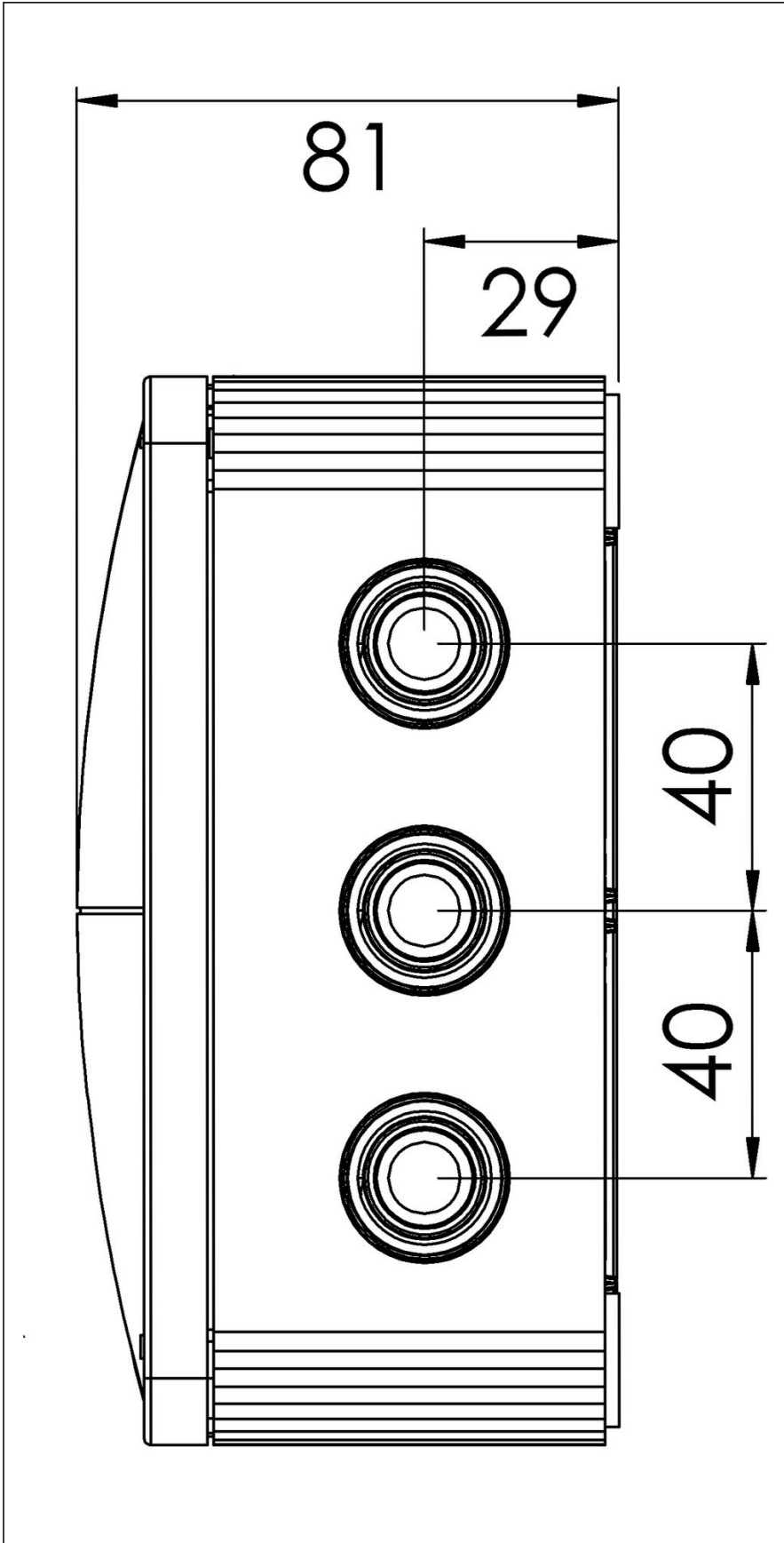
Your Contact:

WISKA Hoppmann GmbH

Kisdorfer Weg 28 · 24568 Kaltenkirchen · Germany

☎ +49-4191-508-0 · 📠 +49-4191-508-209

contact@wiska.de · www.wiska.com



Your Contact:

WISKA Hoppmann GmbH

Kisdorfer Weg 28 · 24568 Kaltenkirchen · Germany

☎ +49-4191-508-0 · 📠 +49-4191-508-209

contact@wiska.de · www.wiska.com