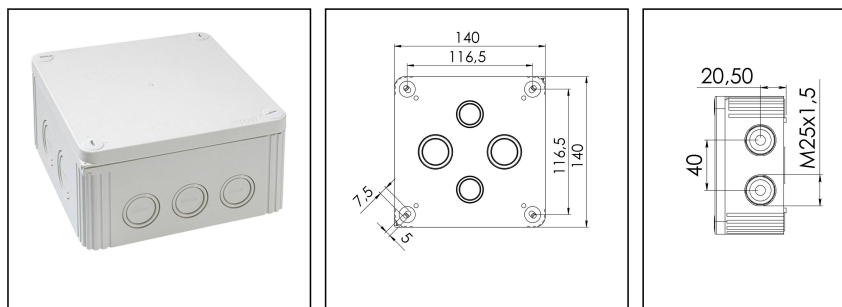


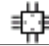
## COMBI® MAR 1010/5 LG

Junction Box 140x140x72mm, Polypropylene, RAL 7035, with terminal block



Products may differ in size, colour and appearance to those shown. If you require further information or customisation, please contact us directly.



<b>Material</b>	Polypropylene
<b>Material sealing gasket</b>	TPE
<b>Temp. range min</b>	-30 °C
<b>Temp. range max</b>	100 °C
<b>Temperatures during install.</b>	-5 °C - 60 °C
<b>Protection class</b>	IP66 / IP67
<b>Glow wire test</b>	960 °C
<b>Voltage</b>	690 V
<b>Rated current / A (Terminal)</b>	57 A
<b>Rated cross section</b>	10 mm²
<b>Terminals/poles</b>	5 x 10,0 mm²
<b>Fixing</b>	4 internal openings
<b>External dimensions LxWxH</b>	140 x 140 x 72 mm
<b>Using for cable gland</b>	
<b>Product Color</b>	RAL 7035
<b>WISKA-Order no.</b>	10062219
<b>Type</b>	COMBI® MAR 1010/5 LG
<b>Packing unit</b>	2
<b>ETIM-Classification</b>	EC002600

Remarks:

Mounting: 4 internal openings outside of the sealing area

Equipment: 10 knockouts side 5x M25/M32; 2x M20; 3x M20/M32

4 knockouts in the bottom 2x M25/M32; 2x M20/M25

4 captive cover screws

including QUIXX EMS self-sealing membrane screw 2x M25; 1x M32

Your Contact:

**WISKA Hoppmann GmbH**

Kisdorfer Weg 28 · 24568 Kaltenkirchen · Germany

☎ +49-4191-508-0 · 📠 +49-4191-508-209

contact@wiska.de · www.wiska.com

**Spare parts**

**SP-HKT 1010 Terminal block**

22000408

02.04.2020

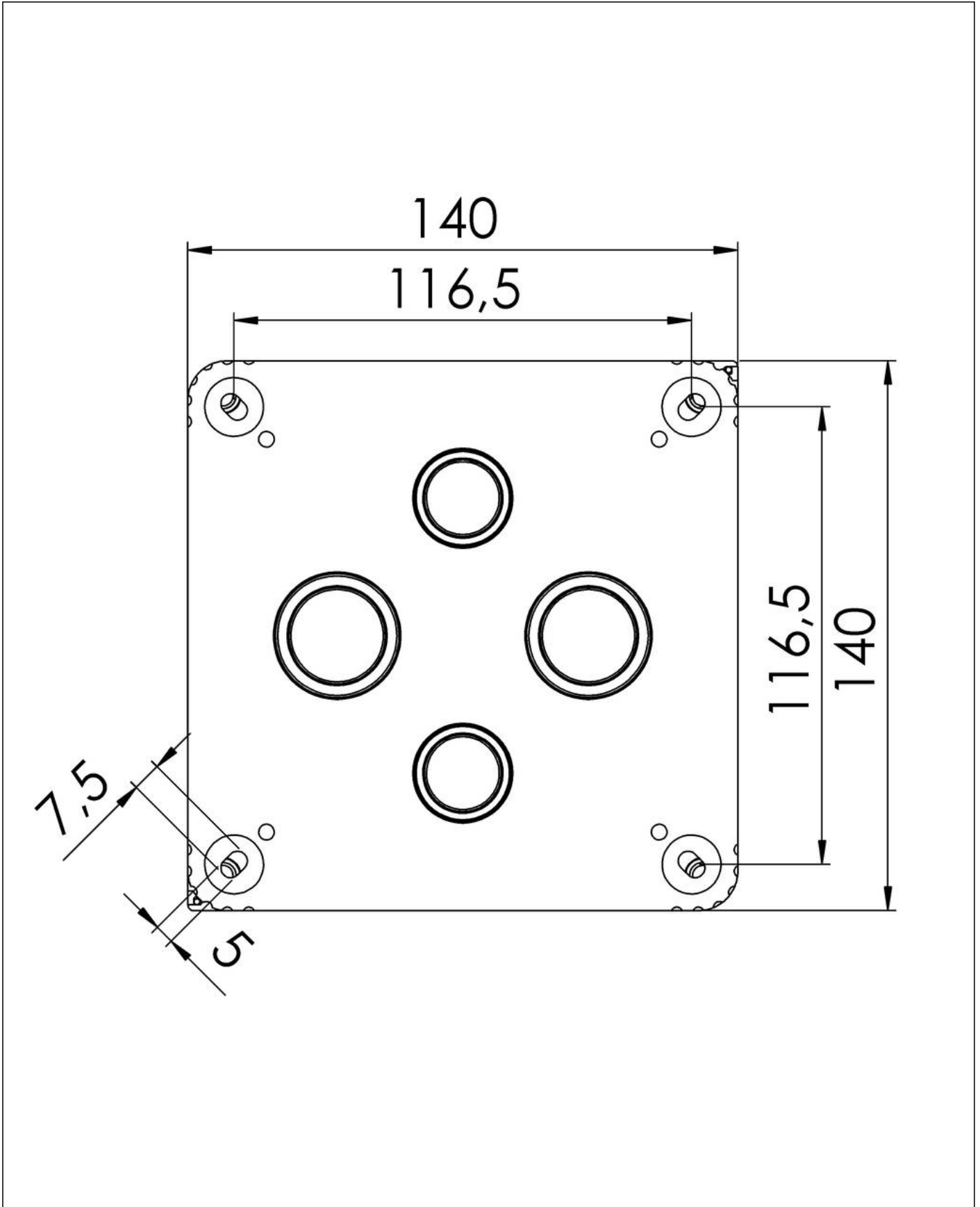
Your Contact:

**WISKA Hoppmann GmbH**

Kisdorfer Weg 28 · 24568 Kaltenkirchen · Germany

☎ +49-4191-508-0 · 📠 +49-4191-508-209

contact@wiska.de · www.wiska.com



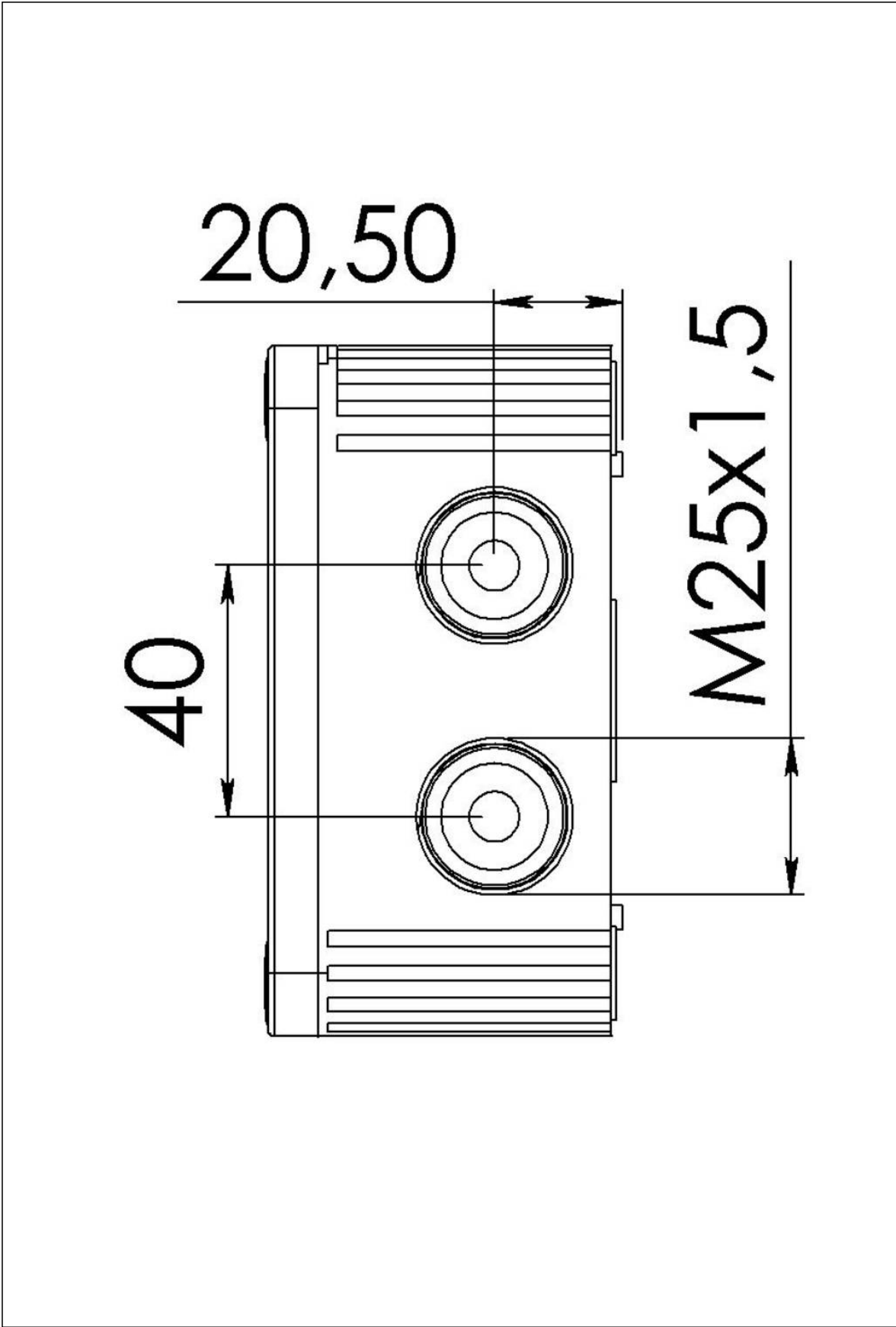
Your Contact:

**WISKA Hoppmann GmbH**

Kisdorfer Weg 28 · 24568 Kaltenkirchen · Germany

☎ +49-4191-508-0 · 📠 +49-4191-508-209

contact@wiska.de · www.wiska.com



Your Contact:  
**WISKA Hoppmann GmbH**  
Kisdorfer Weg 28 · 24568 Kaltenkirchen · Germany  
☎ +49-4191-508-0 · 📠 +49-4191-508-209  
contact@wiska.de · www.wiska.com