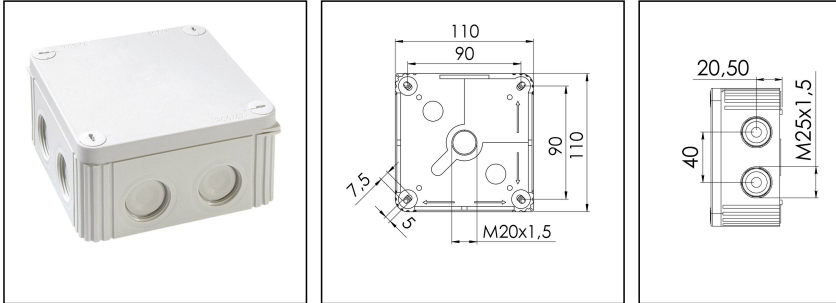



COMBI® MAR 607/5 LG

Junction Box 110x110x57mm, Polypropylene, RAL 7035, with terminal block



Products may differ in size, colour and appearance to those shown. If you require further information or customisation, please contact us directly.



Material	Polypropylene
Material sealing gasket	TPE
Temp. range min	-30 °C
Temp. range max	100 °C
Temperatures during install.	-5 °C - 60 °C
Protection class	IP66 / IP67
Glow wire test	960 °C
Voltage	690 V
Rated current / A (Terminal)	41 A
Rated cross section	6 mm ²
Terminals/poles	5 x 6,0 mm ²
Fixing	4 internal openings
Ø cable diameter min	5,2 mm
Ø cable diameter max	17 mm
External dimensions LxWxH	110 x 110 x 57 mm
Type of cable gland	M 25 x 1,5
Using for cable gland	
Product Color	RAL 7035
WISKA-Order no.	10060567
Type	COMBI® MAR 607/5 LG
Packing unit	3
ETIM-Classification	EC002600

Remarks:

Mounting: 4 internal openings outside of the sealing area

Your Contact:

WISKA Hoppmann GmbH
Kisdorfer Weg 28 · 24568 Kaltenkirchen · Germany
☎ +49-4191-508-0 · 📠 +49-4191-508-209
contact@wiska.de · www.wiska.com

Equipment: 7 elastic, self-sealing puncture-membranes for cable entry on the side and 3 on the bottom
7 integrated M25 thread for mounting without lock nut
4 captive cover screws

Recommended accessories

MP-L Mounting plate large COMBI® / WHK	10105775
---	----------

Spare parts

SP-HKT 607 Terminal block	22000407
----------------------------------	----------

02.04.2020

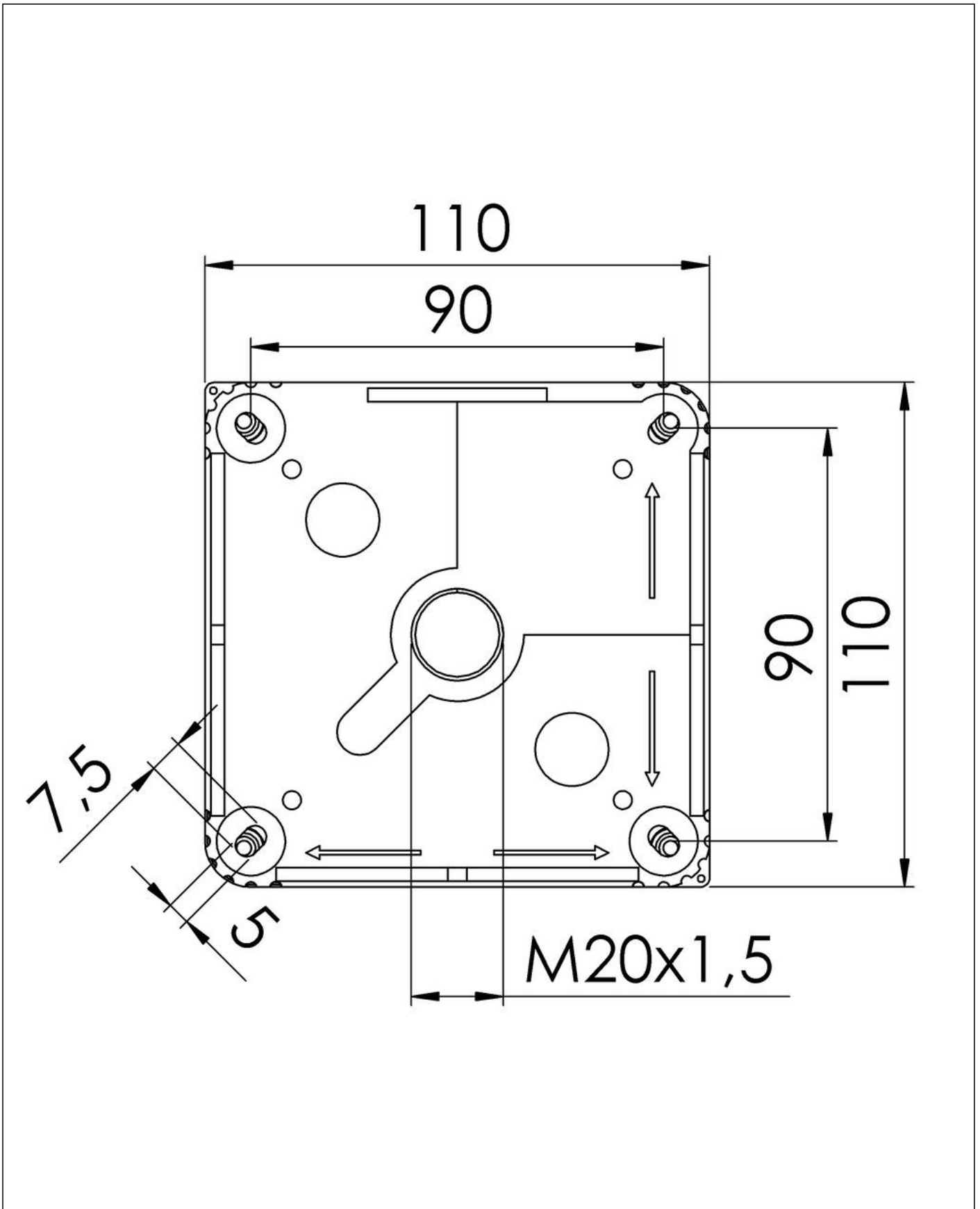
Your Contact:

WISKA Hoppmann GmbH

Kisdorfer Weg 28 · 24568 Kaltenkirchen · Germany

☎ +49-4191-508-0 · 📠 +49-4191-508-209

contact@wiska.de · www.wiska.com



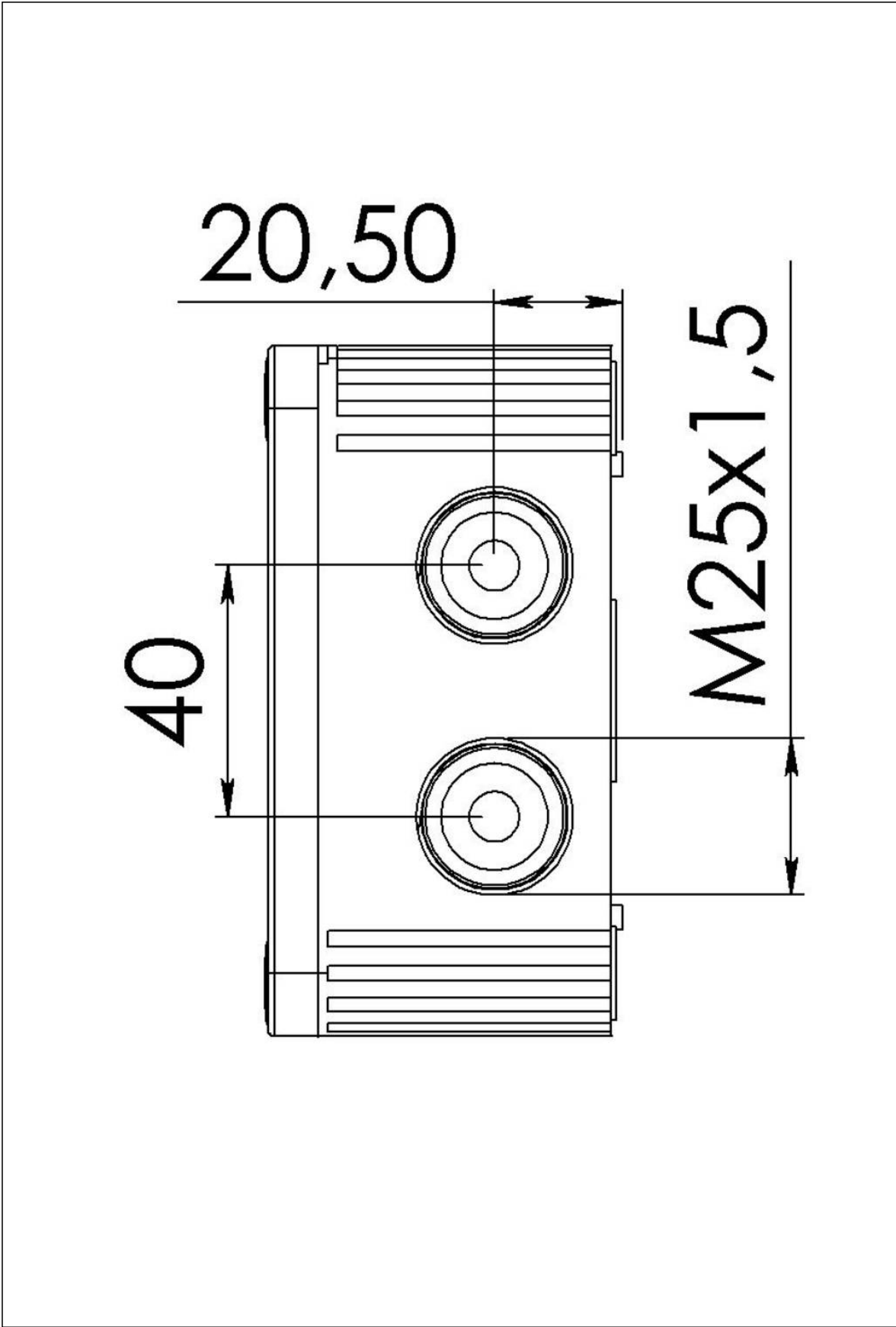
Your Contact:

WISKA Hoppmann GmbH

Kisdorfer Weg 28 · 24568 Kaltenkirchen · Germany

☎ +49-4191-508-0 · 📠 +49-4191-508-209

contact@wiska.de · www.wiska.com



Your Contact:

WISKA Hoppmann GmbH

Kisdorfer Weg 28 · 24568 Kaltenkirchen · Germany

☎ +49-4191-508-0 · 📠 +49-4191-508-209

contact@wiska.de · www.wiska.com