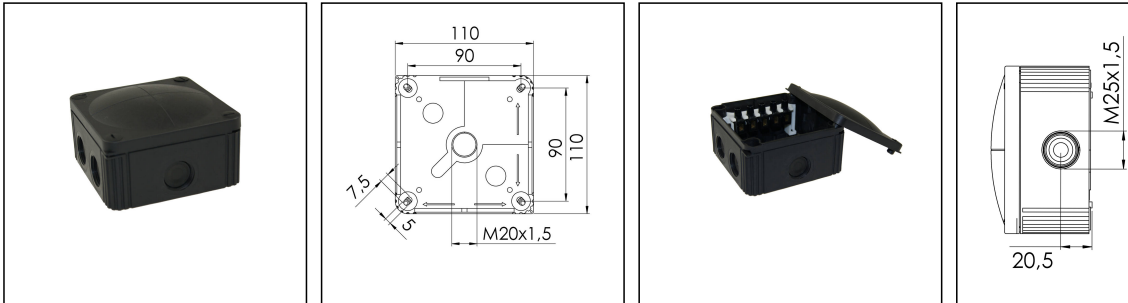



## COMBI 607/5/S

Junction box, polypropylene



Product illustrations are exemplary and may differ from the chosen product. Further variants and individual customization, we will gladly provide you on request.



<b>Material</b>	Polypropylene
<b>Material sealing gasket</b>	TPE
<b>Temp. range min</b>	-30 °C
<b>Temp. range max</b>	100 °C
<b>Intermittent temp. range</b>	120 °C
<b>Temperatures during install.</b>	-5 °C - 60 °C
<b>Protection class</b>	IP 66/67
<b>Glow wire test</b>	750 °C
<b>Voltage</b>	690 V
<b>Terminals/poles</b>	6 mm <sup>2</sup>
<b>Terminals/poles</b>	5 x 6mm <sup>2</sup>
<b>Fixing</b>	4 internal openings
<b>Cable diameter min</b>	3 mm
<b>Cable diameter max</b>	17 mm
<b>External dimensions LxWxH</b>	110 x 110 x 66mm
<b>Using for cable gland</b>	
<b>Product Color</b>	RAL 9005
<b>WISKA-Order no.</b>	10060538
<b>Type</b>	COMBI 607/5/S
<b>Packing unit</b>	3
<b>ETIM-Classification</b>	EC002600

Remarks:

IP66: using the membran entry

IP67: using the threaded entry together with

ESKV cable gland

Mounting: 4 internal openings outside of the sealing area

Equipment: 7 elastic, self-sealing puncture-membranes for cable entry on the side and 3 on the bottom

7 integrated M25 thread for mounting without lock nut

4 captive cover screws

with terminal 5-pole, 6mm<sup>2</sup>

Spare parts

**SP-HKT 607 Terminal block**

22000407

31.08.2015

