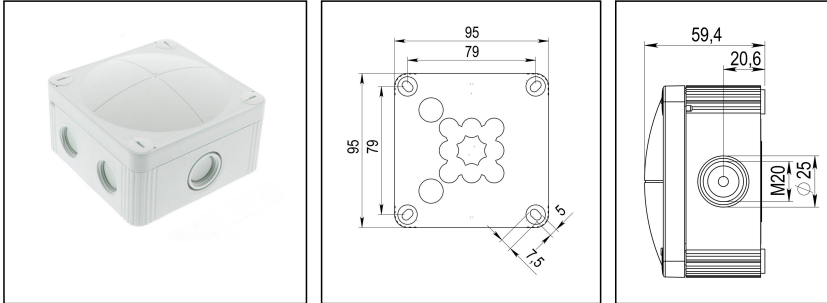


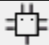
COMBI 407/5

Junction box, polypropylene



Product illustrations are exemplary and may differ from the chosen product. Further variants and individual customization, we will gladly provide you on request.



Material	Polypropylene
Material sealing gasket	TPE
Temp. range min	-30 °C
Temp. range max	100 °C
Intermittent temp. range	120 °C
Temperatures during install.	-5 °C - 60 °C
Protection class	IP 66/67
Glow wire test	750 °C
Voltage	690 V
Terminals/poles	4 mm ²
Terminals/poles	5 x 4 mm ²
Fixing	4 internal openings
Cable diameter min	3 mm
Cable diameter max	12 mm
External dimensions LxWxH	95 x 95 x 60mm
Type of cable gland	M 20 x 1,5
Using for cable gland	
Product Color	RAL 7035
WISKA-Order no.	10105596
Type	COMBI 407/5
Packing unit	5
ETIM-Classification	EC002600

Remarks:

IP66: using the membran entry

IP67: using the threaded entry together with
ESKV cable gland

Fixing: With mounting clip or 4 internal openings outside of the sealing area

Equipment:

- 6x M20 threaded membrane entries and 1 middle M20 threaded membrane entry with knockout to M25
- 2 membrane cable entries through rear
- 4 captive cover screws

including mounting clip

with terminal block 5-poles, 4mm²

Spare parts

SP-HKT 11/5 Terminal block

22000406

31.08.2015

