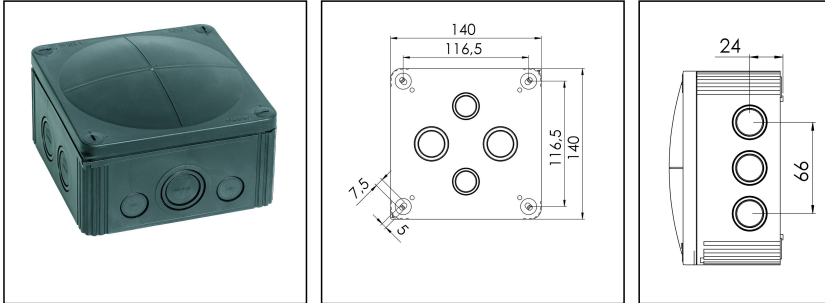


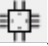
COMBI 1010/leer/S

Junction box, polypropylene



Product illustrations are exemplary and may differ from the chosen product. Further variants and individual customization, we will gladly provide you on request.



Material	Polypropylene
Material sealing gasket	TPE
Temp. range min	-30 °C
Temp. range max	100 °C
Intermittent temp. range	120 °C
Temperatures during install.	-5 °C - 60 °C
Protection class	IP 66/67
Glow wire test	750 °C
Voltage	690 V
Terminals/poles	10 mm ²
Fixing	4 internal openings
Cable diameter min	6 mm
Cable diameter max	21 mm
External dimensions LxWxH	140 x 140 x 82mm
Using for cable gland	
Product Color	RAL 9005
WISKA-Order no.	10062214
Type	COMBI 1010/leer/S
Packing unit	2
ETIM-Classification	EC002600

Remarks:

IP66: using the QUIXX self sealing membran screw

IP67: using the knockout entry together with

ESKV cable gland

Mounting: 4 internal openings outside of the sealing area

WISKA Hoppmann & Mulsow GmbH
 Kisdorfer Weg 28 · 24568 Kaltenkirchen · Germany
 ☎ +49-4191-508-0 · 📠 +49-4191-508-209
 contact@wiska.com · www.wiska.com

Equipment: 10 knockouts side 5x M25/M32; 2x M20; 3x M20/M32
4 knockouts in the bottom 2x M25/M32; 2x M20/M25
4 captive cover screws
including QUIXX EMS self-sealing membrane screw 2x M25; 1x M32

Recommended accessories

SP-HKT 1010 Terminal block

22000408

31.08.2015

