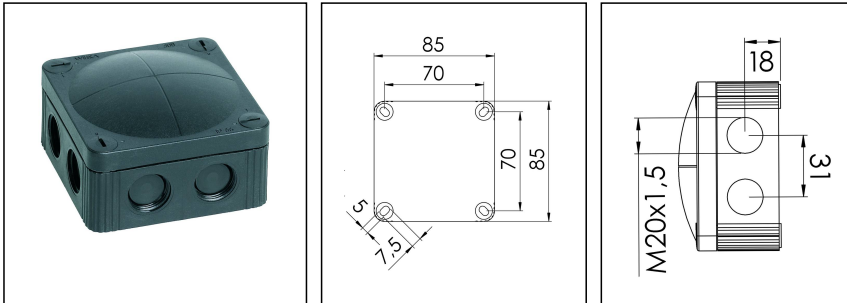


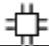
COMBI 308/empty/S

Junction box, polypropylene



Product illustrations are exemplary and may differ from the chosen product. Further variants and individual customization, we will gladly provide you on request.



Material	Polypropylene
Material sealing gasket	TPE
Temp. range min	-30 °C
Temp. range max	100 °C
Intermittent temp. range	120 °C
Temperatures during install.	-5 °C - 60 °C
Protection class	IP 66
Glow wire test	750 °C
Voltage	400 V
Terminals/poles	4 mm ²
Fixing	4 internal openings
Cable diameter min	3 mm
Cable diameter max	12 mm
External dimensions LxWxH	85 x 85 x 51mm
Type of cable gland	M 20 x 1,5
Using for cable gland	
Product Color	RAL 9005
WISKA-Order no.	10060581
Type	COMBI 308/empty/S
Packing unit	5
ETIM-Classification	EC002600

Remarks:

Fixing: With mounting clip or 4 internal openings outside of the sealing area

Equipment: 8 elastic self-sealing puncture-membranes for cable entry

8 intergrated M20 thread for mounting without lock nut
4 captive cover screws
including mounting clip

Recommended accessories

SP-HKT 11/5 Terminal block

22000406

07.08.2015

