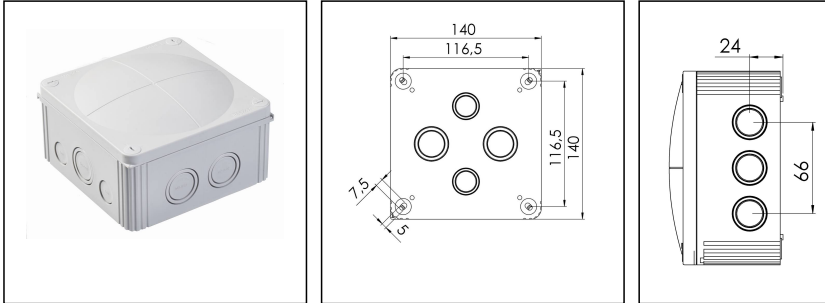



## COMBI 1010/empty

Junction box, polypropylene



Product illustrations are exemplary and may differ from the chosen product. Further variants and individual customization, we will gladly provide you on request.



|                                     |   |
|-------------------------------------|---|
| <b>Material</b>                     | Polypropylene   |
| <b>Material sealing gasket</b>      | TPE   |
| <b>Temp. range min</b>              | -30 °C  |
| <b>Temp. range max</b>              | 100 °C  |
| <b>Intermittent temp. range</b>     | 120 °C  |
| <b>Temperatures during install.</b> | -5 °C - 60 °C   |
| <b>Protection class</b>             | IP 66/67  |
| <b>Glow wire test</b>               | 750 °C  |
| <b>Voltage</b>                      | 690 V   |
| <b>Terminals/poles</b>              | 10 mm <sup>2</sup>  |
| <b>Fixing</b>                       | 4 internal openings   |
| <b>Cable diameter min</b>           | 6 mm  |
| <b>Cable diameter max</b>           | 21 mm   |
| <b>External dimensions LxWxH</b>    | 140 x 140 x 82mm  |
| <b>Using for cable gland</b>        |  |
| <b>Product Color</b>                | RAL 7035  |
| <b>WISKA-Order no.</b>              | 10060702  |
| <b>Type</b>                         | COMBI 1010/empty  |
| <b>Packing unit</b>                 | 2   |
| <b>ETIM-Classification</b>          | EC002600  |

Remarks:

- IP66: using the QUIXX self sealing membran screw
- IP67: using the knockout entry together with  
ESKV cable gland
- Mounting: 4 internal openings outside of the sealing area

WISKA Hoppmann & Mulsow GmbH  
 Kisdorfer Weg 28 · 24568 Kaltenkirchen · Germany  
 ☎ +49-4191-508-0 · 📠 +49-4191-508-209  
 contact@wiska.com · www.wiska.com

Equipment: 10 knockouts side 5x M25/M32; 2x M20; 3x M20/M32  
4 knockouts in the bottom 2x M25/M32; 2x M20/M25  
4 captive cover screws  
including QUIXX EMS self-sealing membrane screw 2x M25; 1x M32

Recommended accessories

**SP-HKT 1010 Terminal block**

22000408

31.08.2015

