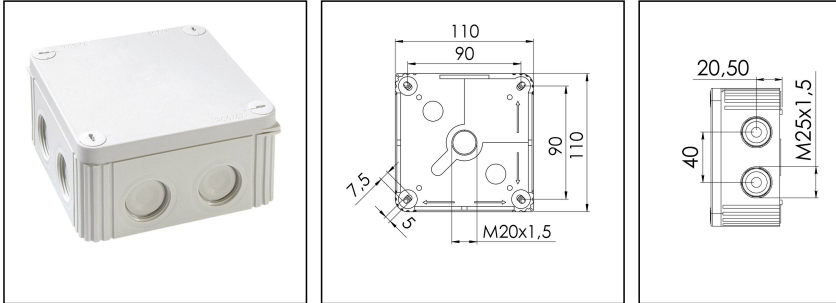


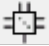
COMBI IND 607/empty

Junction box, polypropylene



Product illustrations are exemplary and may differ from the chosen product. Further variants and individual customization, we will gladly provide you on request.



Material	Polypropylene
Material sealing gasket	TPE
Temp. range min	-30 °C
Temp. range max	100 °C
Intermittent temp. range	120 °C
Temperatures during install.	-5 °C - 60 °C
Protection class	IP 66/67
Glow wire test	750 °C
Voltage	690 V
Terminals/poles	6 mm ²
Fixing	4 internal openings
Cable diameter min	3 mm
Cable diameter max	17 mm
External dimensions LxWxH	110 x 110 x 57mm
Using for cable gland	
Product Color	RAL 7035
Order no. RAL 7035	10060537
Type	COMBI IND 607/empty
Packing unit	3
ETIM-Classification	EC002600

Remarks:

IP66: using the membran entry

IP67: using the threaded entry together with

ESKV cable gland

Junction box with flat cover

WISKA Hoppmann & Mulsow GmbH
Kisdorfer Weg 28 · 24568 Kaltenkirchen · Germany
☎ +49-4191-508-0 · 📠 +49-4191-508-209
contact@wiska.com · www.wiska.com

Mounting: 4 internal openings outside of the sealing area

Equipment: 7 elastic, self-sealing puncture-membranes for cable entry on the side and 3 on the bottom

7 integrated M25 thread for mounting without lock nut

4 captive cover screws

Recommended accessories

SP-HKT 607 Terminal block

22000407

31.08.2015

