



This is a sample photo.

**ORDER SYMBOL:** CAB PC 302018 G

**EL.number** **EAN:** 6418074020000

Sweden:  
Denmark: 8212020207  
Finland: 3424101

**INCLUDING:**

Cabinet body, door with EPDM gasket, hinges, latches, mounting screws, and corner plugs.

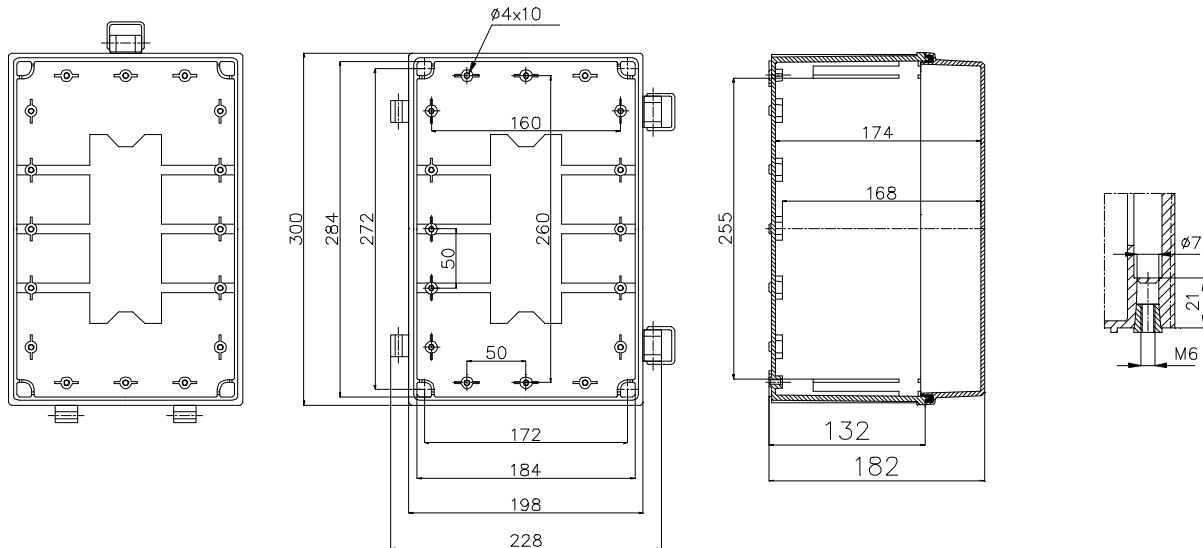
**APPROVALS:**

USA: UL Type 1, 4, 4X, 12, 13 (E75645 Vol. 1 Sec. 6); UL 94-V2

EURO: IP 65; UL 94-V2

OTHERS: IEC 529, EEI

FIBOX CAB PC



CAB 30 20 S

**TECHNICAL INFORMATION:**

Standard colour: RAL 7035  
Ingress protection: IP 65 (IEC 529, EN 60529)  
Flame resistance: UL 94-V2

Temp.range in cont. use: Max. +80 °C  
Temp. range of material: - 40 °C - + 120 °C

**ACCESSORIES**

Inspection window	L 02	Inspection window	L 24
Inspection window	L 04	Inspection window	L 24 II
Inspection window	L 06	Ventilation device	MB 10631
Inspection window	L 08		
Inspection window	L 10		
Inspection window	L 12		
Inspection window	L 12 II		
Inspection window	L 13		