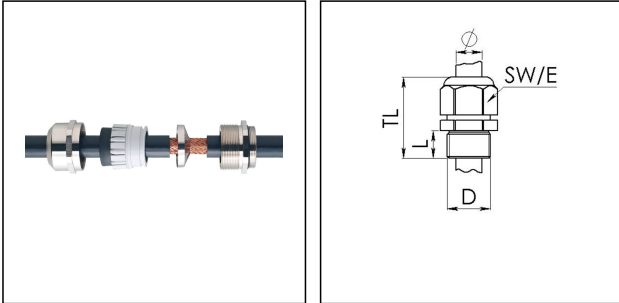


EMSKV-L 12 EMV-S

EMC-cable gland, brass nickel-plated with long thread, M12



Products may differ in size, colour and appearance to those shown. If you require further information or customisation, please contact us directly.



Material cable gland	Brass nickel-plated
Material sealing gasket	EPDM
Material clamping cage	Polyamide
Material earthing insert	Stainless steel 1.4310
Temp. range min	-40 °C
Temp. range max	100 °C
Protection class	IP68 (5 bar 30 min), IP69
Thread type	M
Ø Connection thread D	12
Lead	1,5
Length screw-in thread L	12 mm
Ø cable diameter min	3 mm
Ø cable diameter max	7 mm
Cable Ø shield external	2 mm - 6 mm
Ø cable diameter UL	4,1 mm - 6 mm
Key width SW	16 mm
Collar diameter (E)	18 mm
Total length TL	30 mm - 37 mm
Type of cable anchorage	A
Install. torques cap nut	4 N m
Install. torques fitting	4 N m
Impact category	6
Surface	Nickel-plated
Order no. nickel-plated	10102645
Type	EMSKV-L 12 EMV-S

Your Contact:

WISKA Hoppmann GmbH

Kisdorfer Weg 28 · 24568 Kaltenkirchen · Germany

☎ +49-4191-508-0 · 📠 +49-4191-508-209

contact@wiska.de · www.wiska.com

Packing unit

50

Recommended accessories

RDE 12	10062183
EMMU-EMV 12	10063210
BS 7	10064005

16.12.2020

Your Contact:

WISKA Hoppmann GmbH

Kisdorfer Weg 28 · 24568 Kaltenkirchen · Germany

 +49-4191-508-0 ·  +49-4191-508-209

contact@wiska.de · www.wiska.com



Your Contact:

WISKA Hoppmann GmbH

Kisdorfer Weg 28 · 24568 Kaltenkirchen · Germany

☎ +49-4191-508-0 · 📠 +49-4191-508-209

contact@wiska.de · www.wiska.com