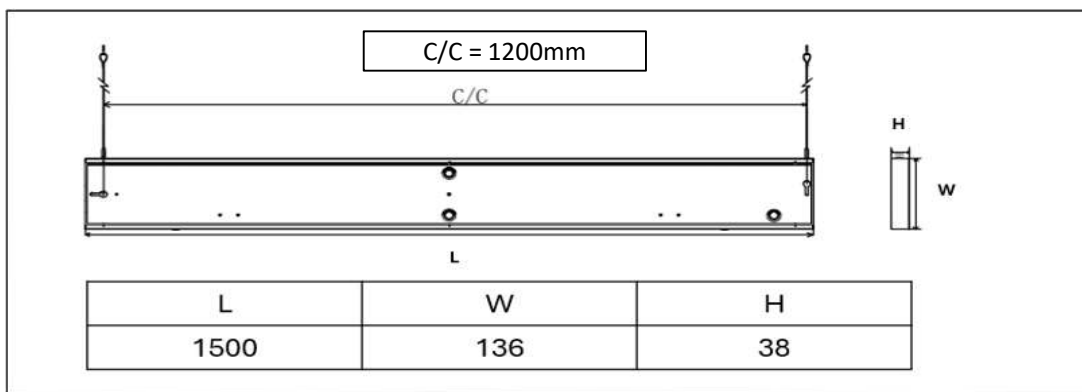
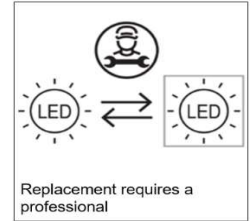
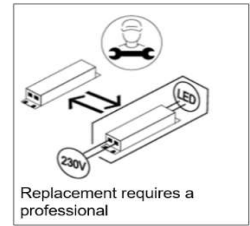
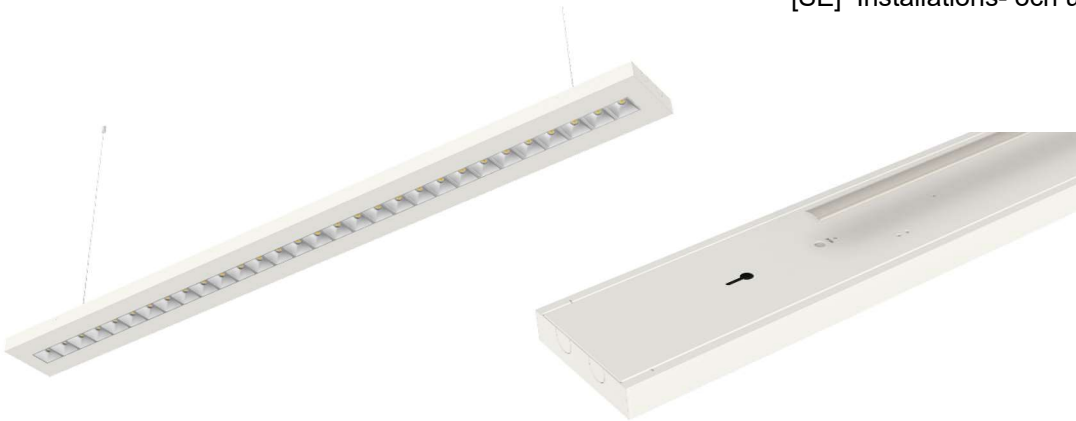


Upsilon

[FI] Asennus- ja huolto-ohje
 [UK] Installation and maintenance instructions
 [SE] Installations- och underhållsinstruktioner



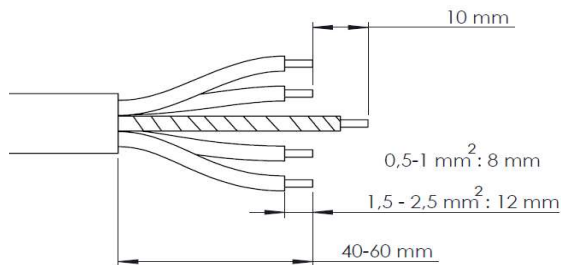
Copyright Greenled Oy

Greenled Oy
 Oritkarintie 4
 90400 Oulu Finland
 p. 020 125 5800
info@greenled.fi



IP20

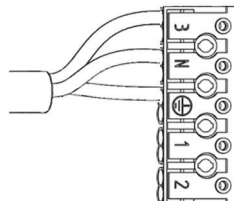
1. Wiring



The luminaire is always equipped with a 3,6m 5x0,75mm² connection cable

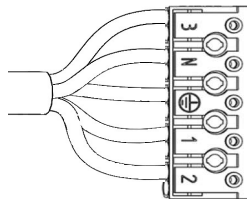
ON/OFF

3 = (L) Ruskea, Brown, Brun
 N = Sininen, Blue, Blå
 PE = Kelta-vihreä, Ground wire, Jordledning
 1 = (D1) Musta, Black, Svart
 2 = (D2) Harmaa, Grey, Grå

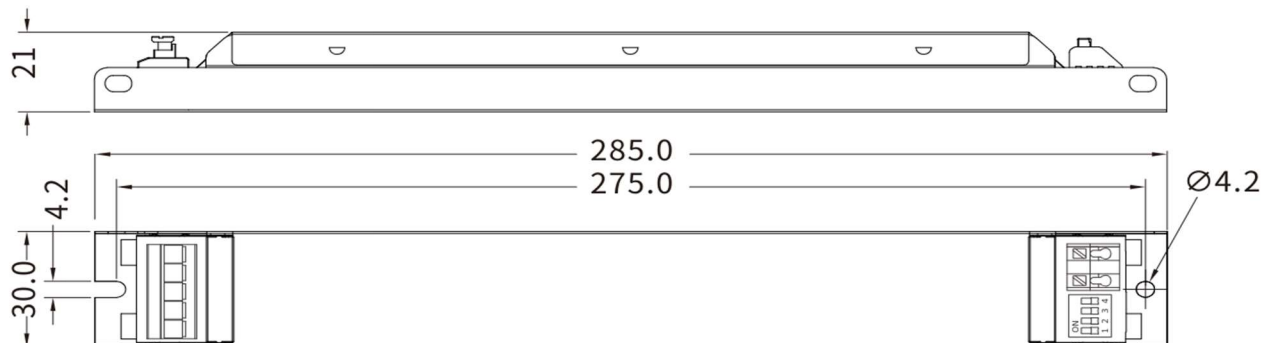


DALI

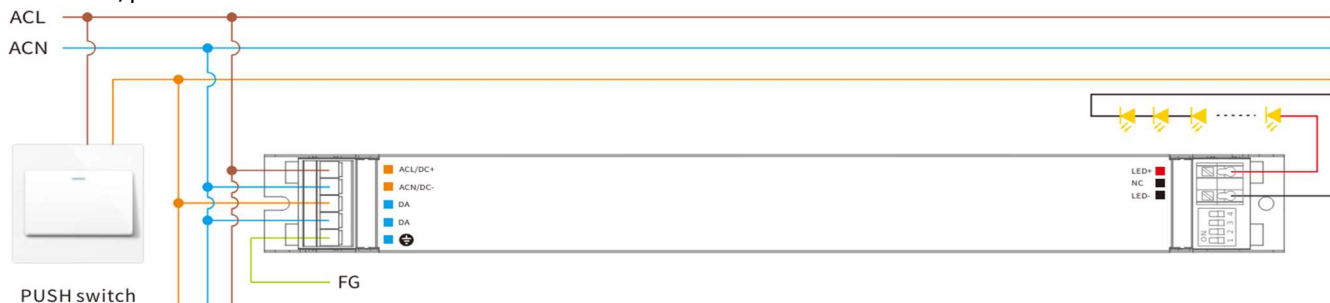
3 = (L) Ruskea, Brown, Brun
 N = Sininen, Blue, Blå
 PE = Kelta-vihreä, Ground wire, Jordledning
 1 = (D1) Musta, Black, Svart
 2 = (D2) Harmaa, Grey, Grå



Driver BK-DAL040-1050Ad



Switch dim/pushDIM



Switch to the pushDIM dimming mode

After installation according to the wiring diagram of pushDIM dimming application, long press the pushbutton 3 seconds, the driver will automatically switch to the pushDIM dimming mode.

Remarks:

Max. 50 drivers per pushDIM control line.

Turn on or turn off: short press pushbutton for 0,2-1s.

Dimming: long press pushbutton for 1-5s.

2. DIP switch

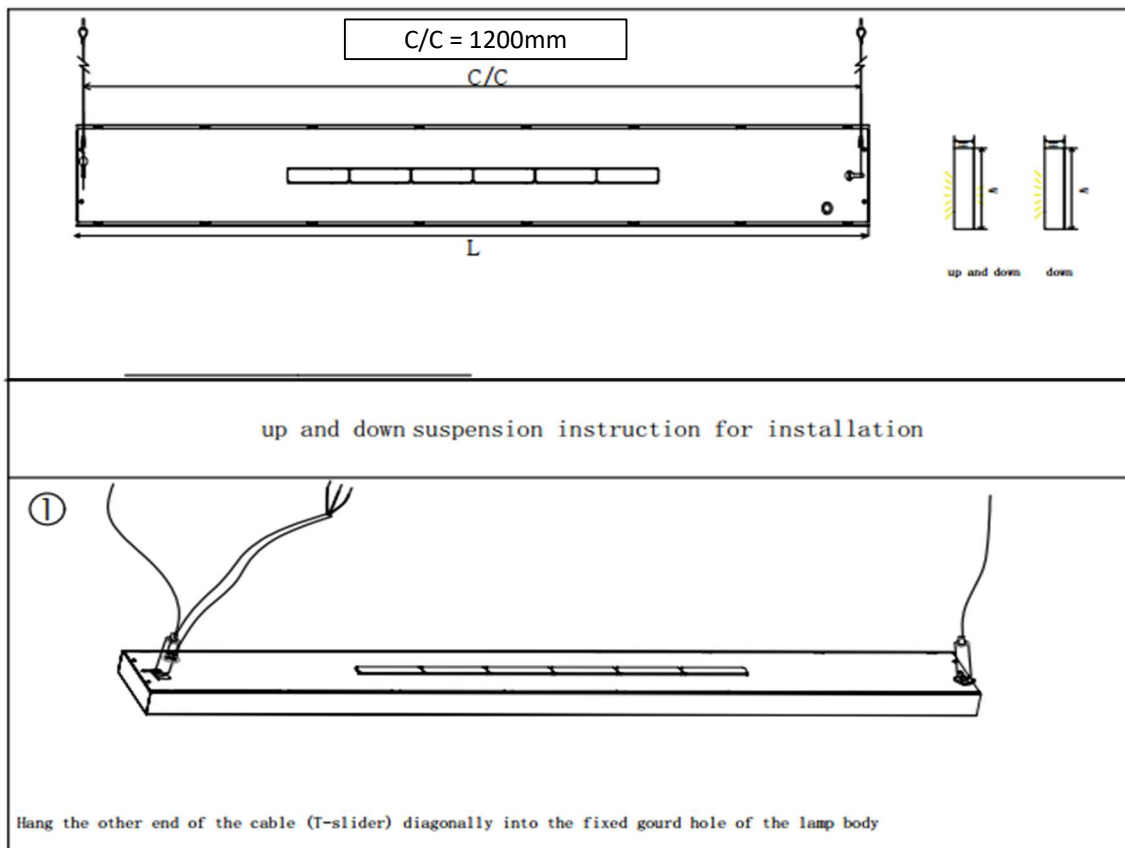
Standard UP-Down 41W(1050mA) / 33W(800mA) power can be changed from DIP switches

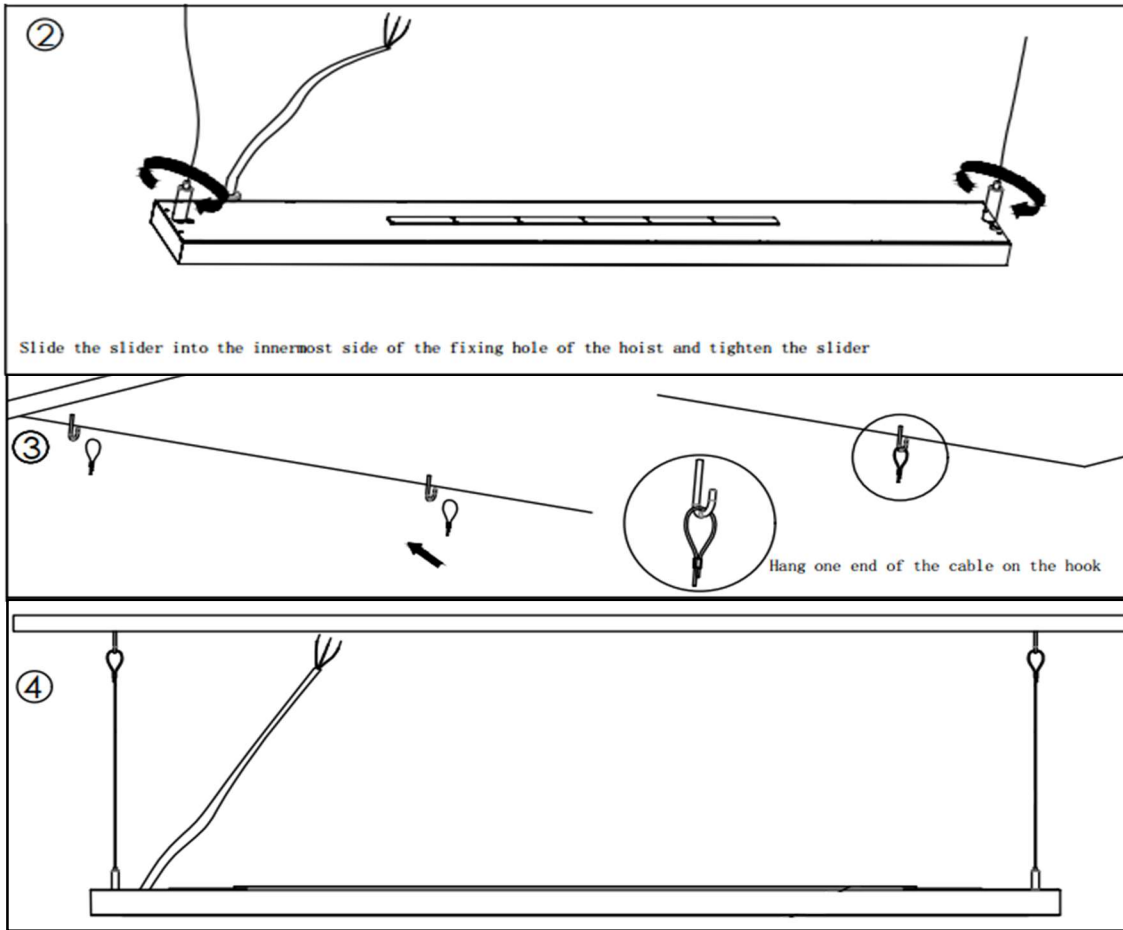
Standard Direct 33W(800mA) / 27W(650mA) power can be changed from DIP switches

Output			1	2	3	4
Prated(w)	Irated(mA)	Voltage(Vdc)				
27.30	650	6-42	--	--	--	ON
33.60	800	6-42	ON	--	ON	--
39.90	1050 ★	6-38	--	--	--	--

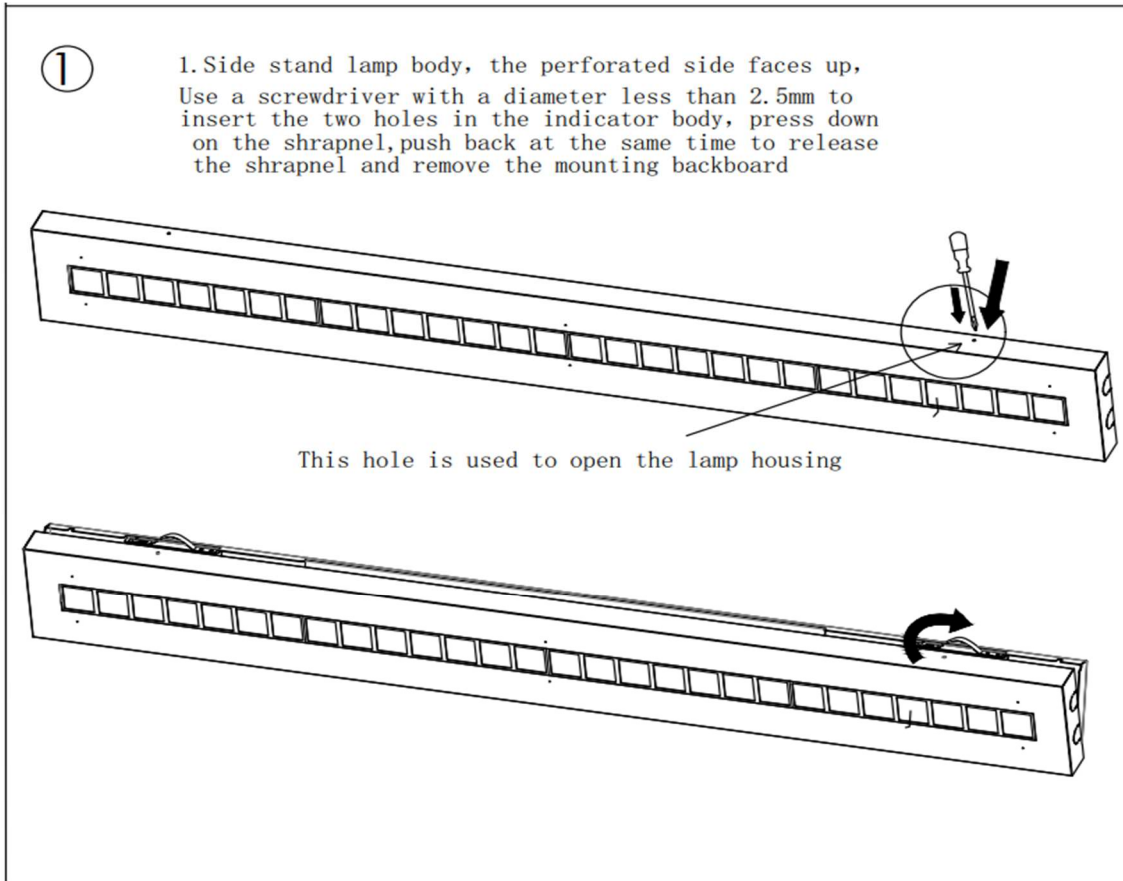


3.1. Instructions for suspension installation





3.2. Instructions for surface mounted installation

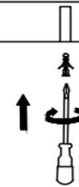


②

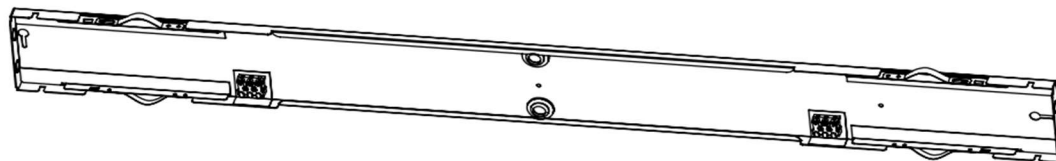


Screw in the expansion screws

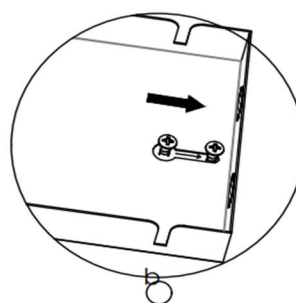
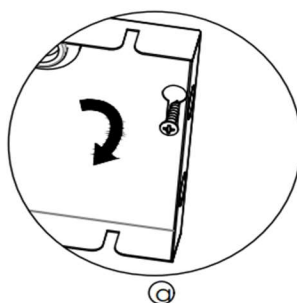
Drive the expansion screws into the ceiling, that the position of the two screws need in a straight line, and the distance is accurate.



Note: Do not screw in the expansion screw completely



Insert the screw into the hole on the back of the lamp housing, a-b.

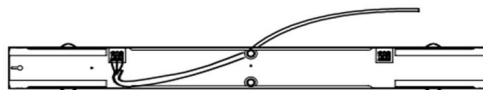


③

Please open the holes on both sides to through the AC cable.

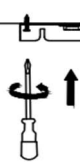
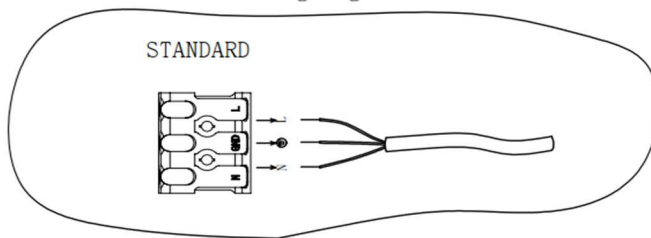


Can through the AC cable on the central hole

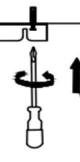


Reserved cable outlet hole

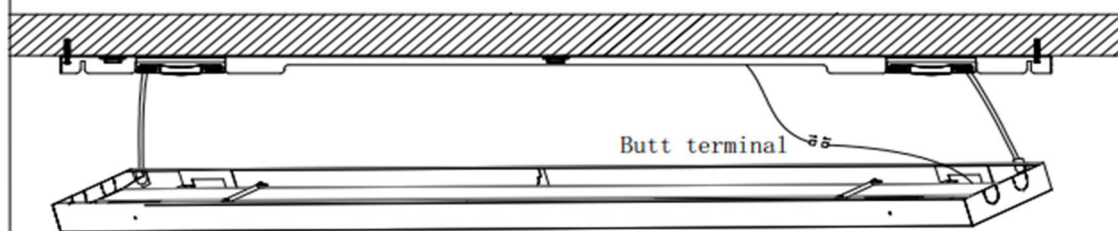
Wiring is shown in the following figure



Align the top buckle with the mounting holes. After adjusting the positions, tighten two screws to secure the top buckle



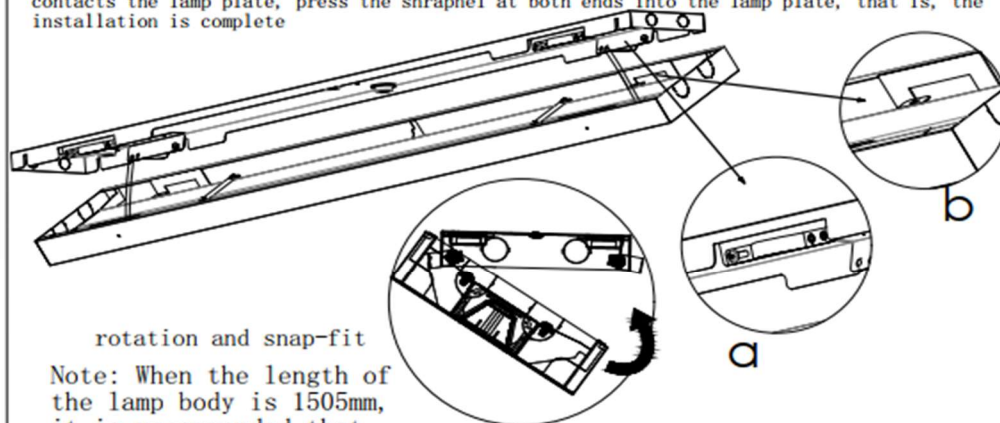
④



After fixing the backplane, hook the safety cable on the mask to the panel, and connect the lamp DC connector

⑤

Tilt the size of the lamp body according to the figure, one side of the shrapnel is aligned with the card of the backplane, and then rotate the lamp body to buckle. When the buckled shrapnel contacts the lamp plate, press the shrapnel at both ends into the lamp plate, that is, the installation is complete

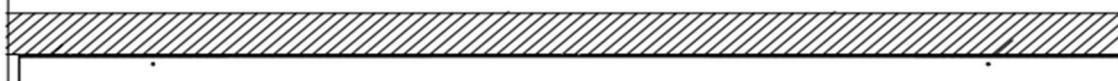


rotation and snap-fit

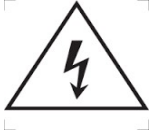
Note: When the length of the lamp body is 1505mm, it is recommended that two masters install it

⑥

The whole lamp is installed



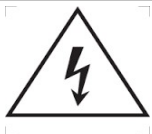
FI Nämä ohjeet tulee säilyttää ja luovuttaa kiinteistön käyttäjälle.
UK It is appropriate that this information is passed on to the user of the installation.
SE Det är lämpligt att denna information överlämnas till användaren av anläggningen.



Turvallisuusvaroitukset:

Ennen asennusta tai huoltotyötä kytke valaisin irti sähköverkosta välttääksesi sähköiskun vaaran!

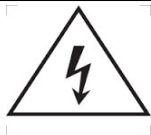
- Asennus / huoltotyön saa tehdä vain valtuutettu henkilö
 - Valaisimen asennuksen / huoltotyön saa suorittaa vain pätevä henkilö näiden ohjeiden mukaisesti.
 - Valmistaja ei kannu vastuuta valaisimen väärästä käytöstä
 - Älä katso suoraan päällä olevaan valaisimeen
 - Valaisimen valonlähteen saa vaihtaa ainoastaan Greenled, Greenledin valtuuttama huoltaja tai vastaavan pätevyyden omaava henkilö
-



Safety notes:

Before installation or change work disconnect the power to reduce electrical shock risk!

- Installation / maintenance can only be done by a skilled personnel
 - Installation / maintenance of luminaire must be performed by qualified person following the instructions given in the instruction set
 - The manufacturer bears no liability for damage caused by inappropriate use or application
 - Do not stare at the operating light source
 - The light source contained in this luminaire shall only be replaced by the Greenled or Greenled's service agent or a similar qualified person
-



Säkerhetsvarningar:

Koppla alltid bort armaturen från elnätet i samband med installation ti den som använder armaturen.

- Installations- och underhållsarbeten får endast utföras av en behörig installatör
 - Installations-/underhållsarbetet får endast utföras enligt dessa anvisningar av en person med tillräckliga kunskaper
 - Tillverkaren ansvarar ej för felaktig användning av armaturen
 - Titta aldrig rakt in i en påslagen armatur
 - Ljuskällan inuti armaturen får endast bytas av antingen Greenled, en Greenled-auktoriserad servicetekniker eller en person med motsvarande kompetens
-

Copyright Greenled Oy

Greenled Oy

Oritkarintie 4

90400 Oulu Finland

p. 020 125 5800

info@greenled.fi

GREENLED