

Instructions for Use

Pressgun Picco 6 Plus



These instructions are the original operating instructions.

Model
2489.4

viega

Table of contents

1	About these instructions for use	3
	1.1 Target groups	3
	1.2 Labelling of advisory text and safety symbols	3
	1.3 About this translated version	5
	1.4 Note on use of abbreviated terms	5
2	Product information	6
	2.1 Standards and regulations	6
	2.2 General safety advice for electrical tools	6
	2.3 Intended use	10
	2.3.1 Areas of use	10
	2.4 Product description	10
	2.4.1 Overview	10
	2.4.2 Technical data	13
	2.4.3 Operating mode	14
	2.4.4 Control elements and indicators at the press machine	15
3	Handling	18
	3.1 Transport and storage	18
	3.2 Rechargeable battery	19
	3.3 Viega Tool Services	19
	3.4 Commissioning	21
	3.5 Carrying out the pressing process	22
	3.6 Aborting the pressing process	24
	3.7 Care and maintenance	25
	3.7.1 Cleaning the press tools	25
	3.7.2 Performing checks	26
	3.7.3 Inspection and maintenance	26
	3.8 Disposal	27
4	Appendix	28
	4.1 Warranty	28
	4.2 EC Declaration of Conformity	29
	4.3 Service partners	29

1 About these instructions for use

Trade mark rights exist for this document; for further information, go to viega.com/legal.

These instructions are a translation of the original operating instructions.

1.1 Target groups

The information in these operating instructions is directed at the following groups of people:

- Heating and plumbing experts and trained personnel

This product must not be used by persons who do not have the aforementioned training or qualifications.

1.2 Labelling of advisory text and safety symbols

Warning and advisory texts are set aside from the remainder of the text and are labelled with the relevant pictographs.



DANGER!

This symbol warns of possible life-threatening injury.



WARNING!

This symbol warns of possible serious injury.



CAUTION!

This symbol warns of possible injury.



NOTICE!

This symbol warns of possible damage to property.



This symbol gives additional information and hints.

Warning signs and symbols

Pay attention to the warning signs and symbols on the press machine and accessories:

	<p>General hazard symbol</p> <p>Comply with all instructions marked with this symbol to avoid injuries or danger to life.</p>
	<p>Observe the operating instructions</p> <p>Read the operating and safety instructions carefully prior to the commissioning procedure.</p>
	<p>The marked product must not be disposed of as household waste.</p>
	<p>Warning of flying fragments</p>
	<p>CE marking: Product safety in Europe</p>
	<p>GS mark: proven safety</p>
	<p>Australian test mark</p>
	<p>Direct voltage V d.c.</p>



The word mark Bluetooth® and the associated logos are registered trademarks of Bluetooth SIG, Inc. and any use of these marks by Viega Technology GmbH and Co. KG is under licence. Other trademarks and trade names are the property of the owner concerned:

- iOS is a registered trademark of Apple Inc.
- Android and the Android logo are registered trademarks of Google Inc.

1.3 About this translated version

This instruction for use contains important information about the choice of product or system, assembly and commissioning as well as intended use and, if required, maintenance measures. The information about the products, their properties and application technology are based on the current standards in Europe (e.g. EN) and/or in Germany (e.g. DIN/DVGW).

Some passages in the text may refer to technical codes in Europe/Germany. These should serve as recommendations in the absence of corresponding national regulations. The relevant national laws, standards, regulations, directives and other technical provisions take priority over the German/European directives specified in this manual: The information herein is not binding for other countries and regions; as said above, they should be understood as a recommendation.

1.4 Note on use of abbreviated terms

For reading comfort, the following abbreviated terms are used in these instructions for use:

Term	Abbreviated form
Viega Tool Services app	App
Viega Tool Services Lite app	
Viega system press machine Pressgun Picco 6 Plus	Press machine
Viega system press jaws	Press jaws
Viega system press rings	Press rings
Viega system press tool	Press tool Combinations of for example: <ul style="list-style-type: none"> ■ Press machine and press jaws ■ Press machine with hinged adapter jaws and press ring

Term	Abbreviated form
Lithium ion rechargeable battery	Rechargeable battery
Battery charger	Charger

2 Product information

2.1 Standards and regulations

The following standards and regulations apply to Germany / Europe and are provided as a support feature.

Regulations from section: Disposal

Scope / Notice	Regulations applicable in Germany
Disposal of old electrical and electronic appliances	2012/19/EU

2.2 General safety advice for electrical tools

This section contains general safety instructions for numerous different products and electrical tools. Consequently, not every safety instruction will apply to this tool.



WARNING!

Read all safety warnings, instructions, illustrations and specifications provided with this power tool.

Failure to follow all instructions listed below may result in electric shock, fire and/or serious injury.

Save all warnings and instructions for future reference.

The term “power tool” in the warnings refers to your mains-operated (corded) power tool or battery-operated (cordless) power tool.

Work area safety

a) Keep work area clean and well lit.

Cluttered or dark areas invite accidents.

b) Do not operate power tools in explosive atmospheres, such as in the presence of flammable liquids, gases or dust.

Power tools create sparks which may ignite the dust or fumes.

c) Keep children and bystanders away while operating a power tool.

Distractions can cause you to lose control.

Electrical safety

a) Power tool plugs must match the outlet. Never modify the plug in any way. Do not use any adapter plugs with earthed (grounded) power tools. Unmodified plugs and matching outlets will reduce risk of electric shock.

b) Avoid body contact with earthed or grounded surfaces, such as pipes, radiators, ranges and refrigerators.

There is an increased risk of electric shock if your body is earthed or grounded.

c) Do not expose power tools to rain or wet conditions.

Water entering a power tool will increase the risk of electric shock.

d) Do not abuse the cord. Never use the cord for carrying, pulling or unplugging the power tool. Keep cord away from heat, oil, sharp edges or moving parts.

Damaged or entangled cords increase the risk of electric shock.

e) When operating a power tool outdoors, use an extension cord suitable for outdoor use.

Use of a cord suitable for outdoor use reduces the risk of electric shock.

f) If operating a power tool in a damp location is unavoidable, use a residual current device (RCD) protected supply.

Use of an RCD reduces the risk of electric shock.

Personal safety

a) Stay alert, watch what you are doing and use common sense when operating a power tool. Do not use a power tool while you are tired or under the influence of drugs, alcohol or medication.

A moment of inattention while operating power tools may result in serious personal injury.

b) Use personal protective equipment. Always wear eye protection.

Protective equipment such as a dust mask, non-skid safety shoes, hard hat or hearing protection used for appropriate conditions will reduce personal injuries.

c) Prevent unintentional starting. Ensure the switch is in the off-position before connecting to power source and/or battery pack, picking up or carrying the tool.

Carrying power tools with your finger on the switch or energising power tools that have the switch on invites accidents.

d) Remove any adjusting key or wrench before turning the power tool on.

A wrench or a key left attached to a rotating part of the power tool may result in personal injury.

e) Do not overreach. Keep proper footing and balance at all times.

This enables better control of the power tool in unexpected situations.

f) Dress properly. Do not wear loose clothing or jewellery. Keep your hair and clothing away from moving parts.

Loose clothes, jewellery or long hair can be caught in moving parts.

g) If devices are provided for the connection of dust extraction and collection facilities, ensure these are connected and properly used.

Use of dust collection can reduce dust-related hazards.

h) Do not let familiarity gained from frequent use of tools allow you to become complacent and ignore tool safety principles.
A careless action can cause severe injury within a fraction of a second.

Power tool use and care

a) Do not force the power tool. Use the correct power tool for your application.

The correct power tool will do the job better and safer at the rate for which it was designed.

b) Do not use the power tool if the switch does not turn it on and off.
Any power tool that cannot be controlled with the switch is dangerous and must be repaired.

c) Disconnect the plug from the power source and/or remove the battery pack, if detachable, from the power tool before making any adjustments, changing accessories, or storing power tools.

Such preventive safety measures reduce the risk of starting the power tool accidentally.

d) Store idle power tools out of the reach of children and do not allow persons unfamiliar with the power tool or these instructions to operate the power tool.

Power tools are dangerous in the hands of untrained users.

e) Maintain power tools and accessories. Check for misalignment or binding of moving parts, breakage of parts and any other condition that may affect the power tool's operation. If damaged, have the power tool repaired before use.

Many accidents are caused by poorly maintained power tools.

f) Keep cutting tools sharp and clean.

Properly maintained cutting tools with sharp cutting edges are less likely to bind and are easier to control.

g) Use the power tool, accessories and tool bits etc. in accordance with these instructions, taking into account the working conditions and the work to be performed.

Use of the power tool for operations different from those intended could result in a hazardous situation.

h) Keep handles and grasping surfaces dry, clean and free from oil and grease.

Slippery handles and grasping surfaces do not allow for safe handling and control of the tool in unexpected situations.

Battery tool use and care

a) Recharge only with the charger specified by the manufacturer.

A charger that is suitable for one type battery pack may create a risk of fire when used with another battery pack.

b) Use power tools only with specifically designated battery packs.

Use of any other battery packs may create a risk of injury and fire.

c) When battery pack is not in use, keep it away from other metal objects, like paper clips, coins, keys, nails, screws or other small metal objects, that can make a connection from one terminal to another.

Shorting the battery terminals together may cause burns or a fire.

d) Under abusive conditions, liquid may be ejected from the battery; avoid contact. If contact accidentally occurs, flush with water. If liquid contacts eyes, additionally seek medical help.

Liquid ejected from the battery may cause irritation or burns.

e) Do not use a battery pack or tool that is damaged or modified.

Damaged or modified batteries may exhibit unpredictable behaviour resulting in fire, explosion or risk of injury.

f) Do not expose a battery pack or tool to fire or excessive temperature.

Exposure to fire or temperature above 130 °C may cause explosion.

g) Follow all charging instructions and do not charge the battery pack or tool outside the temperature range specified in the instructions.

Charging improperly or at temperatures outside the specified range may damage the battery and increase the risk of fire.

Service

a) Have your power tool serviced by a qualified repair person using only identical replacement parts.

This will ensure that the safety of the power tool is maintained.

b) Never service damaged battery packs.

Service of battery packs should only be performed by the manufacturer or authorized service providers.

Basic safety rules

a) Use the correct tools.

Only use the tools and accessories listed in the operating instructions. Do not use electric tools for purposes or work they are not intended for.

b) Secure the workpiece.

Use clamping devices or a vice to hold the workpiece. It is held more securely than it would be by hand and both your hands are free to operate the tool.

c) Leave protective equipment in place.

d) Hand-held devices must not to be used as stationary equipment.

e) Do not hold the device in the compression area.

f) Do not hold any body parts or foreign objects between the press jaws when activating the pressing cycle. Do not hold the jaw lever during the pressing cycle. Danger of crushing!

There is a danger of crushing the Fingers and hands.

g) Observe the safety instructions for the cleaning and corrosion protection agents used by you.

h) Ensure that the workpiece is not under tension.

2.3 Intended use

2.3.1 Areas of use

The Viega system press machine Pressgun Picco 6 Plus is intended for pressing press connectors into the respective piping systems. In combination with Viega press jaws, the press tool is suitable for use with all Viega sanitary and heating installation systems up and including dimension 40.

2.4 Product description

2.4.1 Overview

Scope of delivery

- Pressgun Picco 6 Plus
- Lithium ion rechargeable battery (12 V / 3 Ah)
- Battery charger
- Transport case with case inlay
- Operating instructions for press machine
- Operating instructions for charger and rechargeable battery

Pressgun Picco 6 Plus

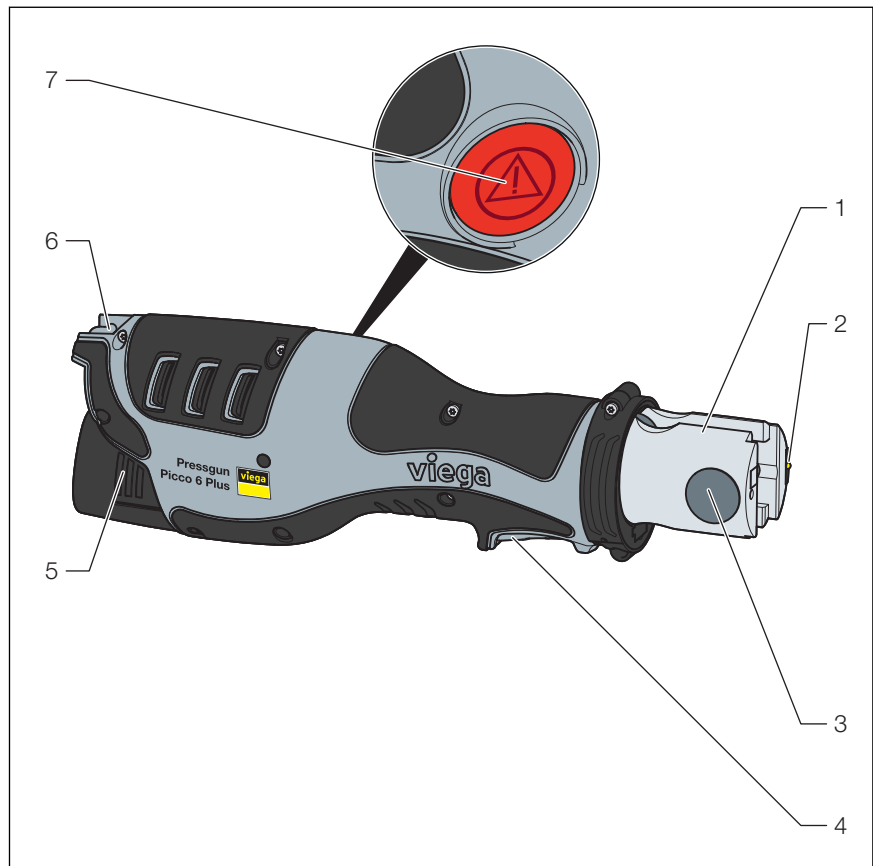


Fig. 1: Overview

- 1 Rotatable cylinder head with press jaw fixture
- 2 LED lamp
- 3 Retaining bolt
- 4 Start button
- 5 Rechargeable battery compartment with battery inserted
- 6 Bracket
- 7 Reset button

Battery charger and lithium ion rechargeable battery

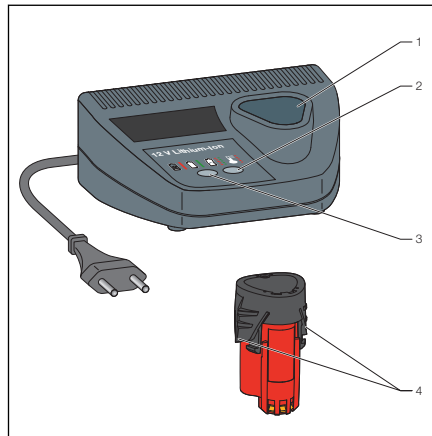
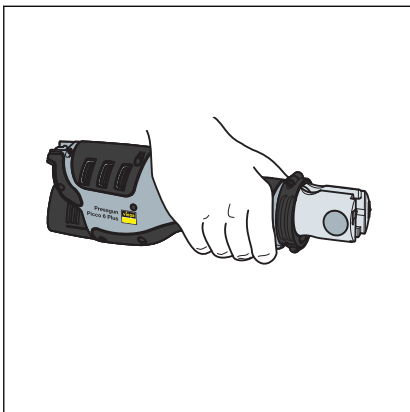


Fig. 2: Overview

- 1 Rechargeable battery compartment
- 2 Status LED (green)
- 3 Status LED (red)
- 4 Unlock buttons

Gripping surfaces on the press machine



- To prevent injury during the pressing, hold the press machine at the gripping surface provided as shown.

Data on the specification plate

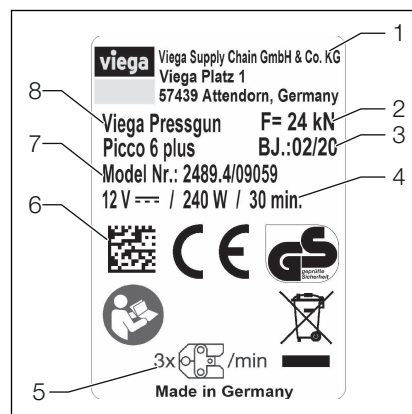


Fig. 3: Type plate (exemplary)

- 1 Manufacturer logo with address
- 2 Nominal force

- 3 Year of manufacture
- 4 Voltage (V) / nominal output (W) / permitted constant operation \leq 30 min
- 5 3 pressings per minute
- 6 QR code (article number / serial number)
- 7 Model number
- 8 Type designation for the press machine

For explanations of the symbols, see [Chapter 1.2 'Labelling of advisory text and safety symbols'](#) on page 3.

2.4.2 Technical data

Press machine

Nominal output	240 W	
Voltage	12 V DC	
Machine monitoring	electronic	
Acoustic power level max.	80 dB(A)	1)
Sound pressure on ear	69 dB(A)	1)
Oscillation level	< 2.5 m/s ²	2)
Power transmission	hydraulic	
Thrust on piston	24 kN	
Switch-on duration	Maximum three pressings per minute	
Press range	Plastic: up to 40 mm Ø Metal: up to 35 mm Ø	
Protection type	IP23	
Permitted operating temperature	-10–50 °C	
Weight without rechargeable battery	1630 g	
Length	320 mm with 3.0 Ah rechargeable battery 344 mm with 6.0 Ah rechargeable battery	
Width	100 mm	
Height	72 mm	

¹⁾ measurement uncertainty 3 dB(A)

²⁾ measurement uncertainty 1.5 m/s²

**NOTICE!**

Wear hearing protection.

The specified oscillation emission value was measured in accordance with a standardised test procedure and can be used to compare the machine with another device. The specified oscillation emission value can also be used for an initial assessment of the intermittent duty.

When the device is actually being used, the oscillation emission value may differ from specified value, depending on the manner in which the device is used. Depending on the actual conditions of use (intermittent duty), it may be necessary to specify safety measures to protect the user.

2.4.3 Operating mode

The Viega Pressgun Picco 6 Plus is an electro-hydraulically operated press machine. The press machine is switched on by actuating the Start button once. To initiate a pressing, the Start button must then be pressed and held down. The hydraulically operated roller head moves forwards into the press jaw and closes it with a power of 24 kN.

The Pressgun Picco 6 Plus operates with a voltage of 12 V DC.

The press machine is equipped with wireless Bluetooth® technology. Smartphones or tablets (referred to below as "end devices") with either iOS or Android operating systems are required for data transfer. For more information, see [Chapter 3.3 'Viega Tool Services' on page 19](#).

Adjustable operation modes

Two different operation modes can be selected via the app:

	Viega Auto-Cycle ¹⁾	Viega Smart-Cycle
1	Keep the Start button pressed until the roller head has entered the press jaw slightly.	
2	As soon as the press jaw closes, the Start button can be released.	As soon as the press jaw closes and a defined pressure is reached, the pressing can be manually interrupted by releasing the Start button. The correct seating of press connector and press tool can now be checked. To resume the pressing, press the Start button again.
3	The pressing is made.	
4	The roller head then returns to its starting position.	

¹⁾ Pre-set operation mode

Energy-saving mode

If the press machine is not used for a prolonged period, it will switch off. The LED no longer illuminates. Press the Start button briefly to activate the press machine.

2.4.4 Control elements and indicators at the press machine

Status LEDs

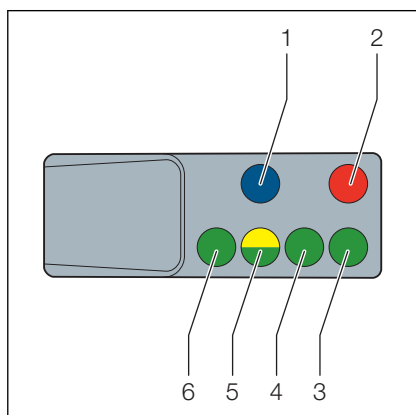


Fig. 4: Start button with status LEDs

The status LEDs on the press machine indicate various operating statuses.

LED indicators	Status / description of problem	Solution
All LEDs off.	The press machine is switched off.	Press the Start button briefly to switch on.
Green LED (3) illuminates.	The press machine is ready for operation.	—
Green LED (3) off (while pressing runs).	Automatic press is on. The press machine completes the pressing automatically.	—

LED indicators	Status / description of problem	Solution
The green LED (3) flashes.	Battery charge too low.	Charge or replace the battery.
	Retaining bolt not correctly closed.	Insert retaining bolt or check retaining bolt and cylinder.
	Retaining bolt has worked loose.	Insert retaining bolt or check retaining bolt and cylinder. NOTE! The pressing may not have been fully completed.
Green LEDs (4–6)	Displays the battery charge	—
Blue LED (1) flashes.	Press machine is ready to connect.	The press machine can be connected to the app.
Blue LED (1) illuminates.	The press machine is connected to the app.	—
Red LED (2) flashes.	Press machine is outside the recommended temperature range.	Bring the press machine to the recommended temperature range (-10°C to 50°C). <ul style="list-style-type: none"> ■ Warm up = carry out several pressings without the press connector ■ Cool down = do not carry out any pressings
Red LED (2) illuminates.	Incomplete "Smart Cycle" or device fault.	Press the Start button. If unsuccessful, the press machine is defective. Send the press machine to your nearest service partner for inspection and maintenance.
Yellow LED (5) flashes.	The number of pressings per service interval has been reached (40000).	Send the press machine to your nearest service partner for inspection and maintenance. Note: The safety shutdown occurs after a further 2,000 pressings.
Yellow LED (5) and red LED (2) illuminate.	The press machine has made 42000 pressings. The safety shutdown is activated.	Send the press machine to your nearest service partner for inspection and maintenance.

LED indicators	Status / description of problem	Solution
Blue LED (1) and red LED (2) illuminate.	The press machine is locked (usage lock).	Deactivate the usage lock using the app.
Green LED (4) and yellow LED (5) flash alternately for 10 seconds.	When switched on, the press machine signals that the "Viega Smart Cycle" operation mode is set.	If necessary, change the operation mode in the app.

Start button

Use the Start button to turn on the press machine (standby mode). Press the Start button again to trigger a pressing.

Retaining bolt

The retaining bolt locks the press attachments in the press jaw fixture. The retaining bolt is electronically monitored and must be fully inserted to be able to start a pressing.

Reset button

Press the Reset button to abort pressing at any time, see [↗ Chapter 3.6 'Aborting the pressing process' on page 24.](#)

Rotatable cylinder head

The press jaw fixture in the front part of the cylinder head is 180° rotatable to allow for flexible alignment of the press jaws to the pressing point.

LED light

The press machine is equipped with a bright LED lamp. The LED lamp illuminates as soon as the Start button is pressed.

3 Handling

3.1 Transport and storage



NOTICE!
Risk of damage to and malfunctioning of the press machine due to improper use!

Use a transport case for storage and transport.



NOTICE!
Transporting and storing the rechargeable battery

Observe the manufacturer's instructions for transport and storage.



DANGER!
Risk of crushing!

Risk of getting your fingers and hands crushed.

- Store the press machine out of reach of children and unauthorised persons.

Observe the following instructions for transport and storage of the press machine:

- Disconnect the press machine from the power supply (rechargeable battery).
- Store the press machine in a dry, frost-free place in the case provided.

Protect the press machine and accessories from the following external influences:

- Impacts
- Moisture and humidity
- Dust and dirt
- Frost and extreme heat
- Chemical solutions and vapours

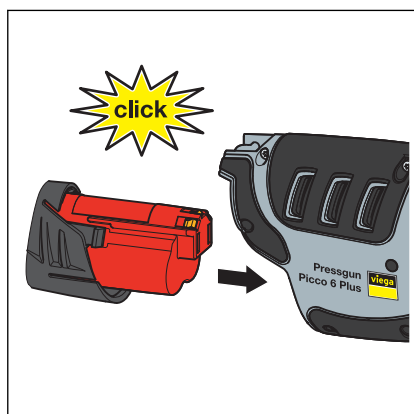
3.2 Rechargeable battery



Directions for using the charger and the lithium-ion batteries can be found in the accompanying instructions.

Only use original accessories (e.g. rechargeable batteries) with the Viega press tools, as only these were developed and adapted specifically for use with the Viega press connector systems. Viega does not check whether accessories from other manufacturers are suitable for use with Viega press tools.

Inserting the battery



- Insert the battery into the device as illustrated until the battery engages.

Removing the battery

- Press both release buttons and then pull the battery out.

Behaviour of the press machine when the battery is discharged

At the start of a pressing, a check is done to see whether there is enough battery charge to complete the pressing. If not, the press machine will not start. The battery has to be recharged before the next pressing.

3.3 Viega Tool Services



You can find information on registering your press machine in the Viega Tool Services chapter.

The full range of functions of Viega Tool Services is not available in all markets.

- If Viega Tool Services is not available in your market, go to the section **Viega Tool Services Lite**.

The press machine can be connected to a mobile end device via Bluetooth® and used with the *Viega Tool Services* app.

The app is available in the respective App Stores:

- Apple App Store (iOS)
- Google Play Store (Android)

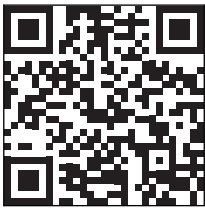
The app offers the following features, for example:

- View press machine data (number of pressings, machine status)
- Apply settings (e.g. operation mode)
- Locate press machine (determine location)

You can find additional information at viega.de/viega-tool-services.

Register at Viega Tool Services

In order to use the press machine with the app, you will first have to register once at *Viega Tool Services* and set up an operation.



- Launch tool-services.viega.de in the browser or scan the QR code.
- Click on [Register now] and follow the next steps.
 - ◇ Once you have registered, you will receive your access data.

Registering the press machine

The procedure for registering the press machine in the browser via the web application will now be described using an example. You can also register the press machine via the app.

Requirements:

- You have administrator rights.
- You have the registration code on the back of the printed operating instructions.
- Go to tool-services.viega.de in the browser.
- Sign in using your access data.
- On the left-hand site navigation area, click on [OPERATION] and then select the entry [Tools].
 - ◇ The list containing all tools is displayed.
- Right-click on [Add tool] button and follow the next steps.
- Complete the process by clicking [REGISTER].
 - ◇ The press machine will then appear in the tool list.

Viega Tool Services Lite

Registering the press machine

- Download the app Viega Tool Services Lite from the particular App Store.
- Open the app.
- Press the Plus button.
- Select the press machine.

- Enter the registration code from the back of the printed operating instructions.
- ☐ The press machine is now registered and can be used with the app.

3.4 Commissioning



CAUTION! **Risk of crushing by operating the press machine without press jaws!**

If no press jaw is inserted, your fingers may get caught in the danger zone and get crushed when the press machine starts up.

- Do not use the press machine without a press jaw inserted.
- Do not put your fingers in the danger zone.

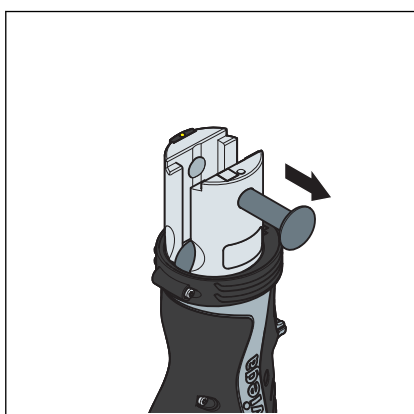


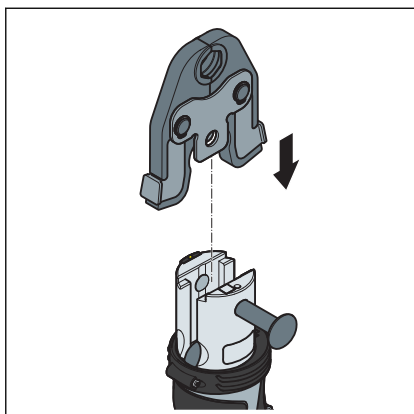
NOTICE! **Cooling phases during constant operation**

The press machine is not suitable for constant operation.

- After 30 min of constant operation, stop using it for at least 15 minutes to allow the device to cool down.

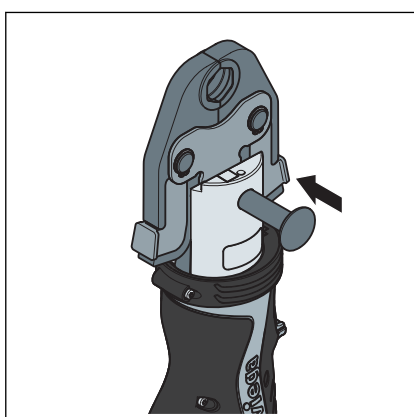
- Check the scope of delivery.
- Insert the fully charged lithium ion rechargeable battery into the mounting bracket at the handle.
- Pull out the retaining bolt at the press jaw fixture.





- Insert the press jaw in the press jaw fixture of the cylinder head.

INFO! The figures show the typical use of a press jaw. Use the hinged adapter jaws in the same way.



- Slide the retaining bolt in as far as it will go.
- Press the Start button.
 - ☐ The green LED is lit. The press machine is ready for operation.

3.5 Carrying out the pressing process



CAUTION!
Risk of crushing due to improper use!

- Do not start the press machine without a press jaw inserted.
- Do not reach into the area of the moving roller head or press jaws during pressing.
- Hold the press machine on the gripping surfaces.



NOTICE!
Risk of property damage due to damaged press jaws!

Using a damaged, incorrectly dimensioned, or worn press jaw may result in an incorrect pressing.

- Check the press jaw before use for any visible defect, and if applicable replace the press jaw.
- Only use press jaws that are the right dimension and are compatible with the press connector system.

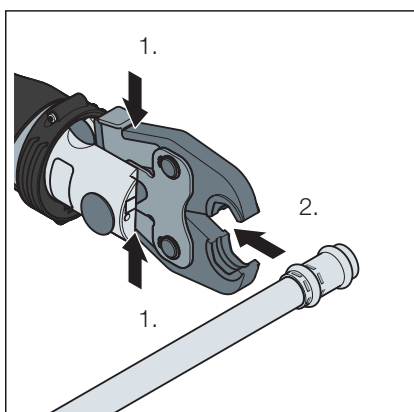
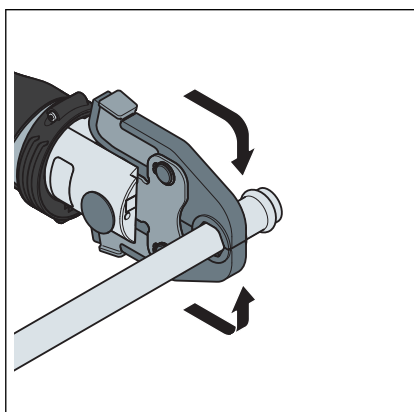
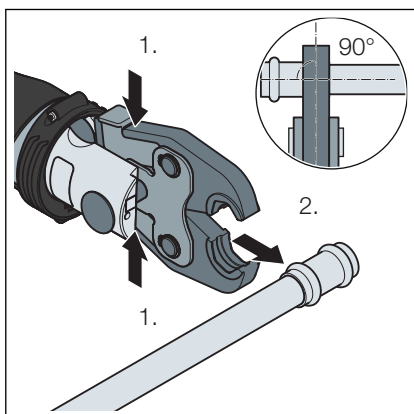


The press jaw must be able to lock properly during pressing.

- Ensure that there is enough space on the press point.
- Keep the press jaw contour and the area around the press point free from dirt and any objects that could hinder complete pressing.

Requirements:

- The press machine is ready for operation, the green LED is illuminated.
- A press jaw has been correctly inserted.
- Check whether the nominal width of the press connector matches the nominal width of the press jaw.
- Fit the press machine with the press jaw inserted accurately and at a right angle to the pipe axis on the press connector.



- Keep the Start button pressed until the automatic process starts.
 - Once the press machine creates the press force, it automatically completes pressing from this point until the entire press stroke has been carried out.

- After full retraction of the roller head, open the press jaw and loosen it from the press connector.



If a malfunction occurs and the press machine fails to complete the pressing, press the Reset button to return the roller head to its initial position.

Then remove the incompletely pressed press connector from the installation and use a new press connector.

3.6 Aborting the pressing process

A pressing can be interrupted in the following situations:

- The roller head has not yet touched the press jaw. The press machine has not yet built up any pressing force.
- There is a malfunction. The press machine cannot complete the pressing.
- Release the Start button to interrupt the pressing.
- (Smart Cycle) Actuate the Reset button to return the roller head to its initial position.
- (Auto Cycle) Actuate the Reset button and keep it pressed to return the roller head to its initial position.

3.7 Care and maintenance

The tools are subject to normal wear and tear; for this reason, they must be maintained in regular intervals. The maintenance and servicing of the tools must be carried out by service partners authorised by Viega.

3.7.1 Cleaning the press tools

Press machine



NOTICE! **Damage due to fluids!**

Make sure that no fluids get inside the press machine.
Never dip the press machine into fluids.

Requirements:

- No press jaw is inserted.
- Wipe the press machine down with a slightly damp cloth.
- Clean the press rolls of the roller head dry and then treat with maintenance oil (art. no. 667 924).

Press jaws and press rings

- Remove dirt and metallic residues from the press jaw or the press ring.
- Remove residues from the press jaw contour (e.g. using Viega cleaning fleece, art. no. 104 412).
- Apply maintenance oil to the hinges and all moving parts (art. no. 667 924).
- Then thinly spray the press jaw or press ring with maintenance oil (art. no. 667 924) and let it work for a short time before wiping off with a lint-free cloth.

3.7.2 Performing checks

To ensure trouble-free operation, perform checks at regular intervals:

- At the end of each use, check the press contour of the press jaws and press rings for damage or visible wear.
- Check the press jaws and press rings for smooth operation.
- Check all press jaws and press rings for proper function by carrying out a test pressing with press connector inserted.

3.7.3 Inspection and maintenance

The functional safety and permanent leak tightness of the Viega press connector systems depend primarily on the functional and operational safety of the Viega system press tools, which comprise the Viega press machine plus Viega system press jaw, ring, chain, and hinged adapter jaw. The Viega press tools were developed and adapted specifically for use with the Viega press connector systems. Viega does not check whether these system press tools can be used for pressing other manufacturers' systems. In particular, no statement can be made on whether it is possible to create permanently leakproof connections in this way.



NOTICE!

Do not attempt to carry out repairs yourself. Have repairs carried out only by authorised service partners.

Maintenance label

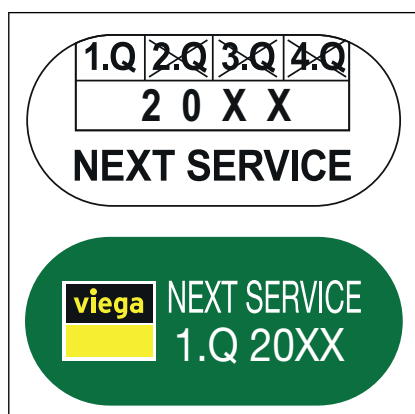


Fig. 5: Variants of the maintenance label (example representation)

- Top: Version 1
- Bottom: Version 2, from 2019, with annually changing colour shade

Maintenance interval

The maintenance interval is 40,000 pressings or 4 years, whichever occurs first. The press machine has a label showing the date when the next regular maintenance is due.

Additionally, the press machine is equipped with an LED display which flashes after 40,000 pressings to indicate that maintenance is due.



The safety shutdown occurs after 42,000 pressings. Send the press machine to your nearest service partner for inspection and maintenance.

3.8 Disposal

Do not dispose of the press machine in household waste and do not scrap it. For environmentally compatible disposal, send the press machine to your local service partner or pass it to a recycling company.

Parts of the lithium ion rechargeable batteries contain valuable materials and can be recycled. For disposal, comply with the regulations applicable in your country. For more information, contact your local waste management authority.

For EU countries:

Do not dispose of electrical and electronic devices in household waste. Dispose of the device pursuant to the regulations applicable in your country, see ↗ *'Regulations from section: Disposal'* on page 6.



Observe the requirements on the transport of road and rail freight and of ocean and air freight if sending defective lithium ion rechargeable batteries.

4 Appendix

4.1 Warranty

The warranty period for Viega system tools such as press tools, press jaws, press rings, Steptec punches, pipe cutters, calibrating tools etc. is governed by national statutory regulations of the country where you have your seat. However, it is at least two years after purchase and transfer of risk.

Please keep the proof of purchase in case of repair during the warranty period. The warranty does not apply in cases of incorrect and non-professional use. If the defect is due to incorrect and non-professional use, or if there is proper wear and tear of wearing parts, warranty claims are excluded.

4.2 EC Declaration of Conformity




EC declaration of conformity
2006/42/EG, 2011/65/EU, 2014/53/EU

Viega Supply Chain GmbH & Co. KG
Viega Platz 1
57439 Attendorn Germany

We declare on our sole responsibility that the following products are in conformity with the Directives 2006/42/EG, 2011/65/EU and 2014/53/EU.

Applied harmonised standards: EN 55014-1:2006 + A1:2009 + A2:2011; EN 55014-2:1997 + AC:1997 + A1:2001 + A2:2008; EN 60745-1:2009 + A11:2010; EN ISO 12100:2010; EN 60950-1:2006 + A11:2009 + A1:2010 + A12:2011 + A2:2013; EN 301 489-1 V2.1.1; EN 301 489-17 V3.1.1; EN 300 328 V2.1.1



i.V. C. Volkmer
Head of Product Management



i.A. U. Grünkemeier
Product Management

Artikel	Modell - Bezeichnung
795801	24894 Pressgun Picco 6 Plus
802929	248960 Pressgun Picco 6 Plus UK
802912	248961 Pressgun Picco 6 Plus AU

Attendorn, 10.03.2020

Viega Supply Chain GmbH & Co. KG, Viega Platz 1, 57439 Attendorn, Deutschland, Telefon +49 (0) 2722 61-0, Telefax +49 (0) 2722 61-1415, viega.de
 USt-IdNr. DE307732088, Sitz Attendorn, Amtsgericht Siegen HRA 9165
 Komplementärin: Viega Holding GmbH & Co. KG, Sitz Attendorn, Amtsgericht Siegen HRA 7404 (Komplementärinnen dort: Viega Holding Beteiligungs B.V. [Vorsitzende der Geschäftsführung: Walter Viegeler, Claus Holst-Gydesen, Geschäftsführer: Ralf Baginski, Andreas Brockow, Andreas Fiefhaus, Dirk Geilisch, Patrick Grundke, Peter Schöler]; Viega Holding Beteiligungs GmbH [Geschäftsführer: Walter Viegeler, Claus Holst-Gydesen])

Fig. 6: EC Declaration of Conformity Pressgun Picco 6 Plus

4.3 Service partners

For maintenance and repair of the press tools, contact the service partner in your country.

Country code	Company	Address/contact
A	König & Landl GmbH	Döblinger Hauptstrasse 15, 1190 Vienna https://www.koenig-landl.at / office@koenig-landl.at +43 1 4797484-13
OFF	Nepean Boltmaster	42 Borec Road, 2750 Penrith +61 (2) 4722 3034 / sales@nepbolt.com.au
	Allied Service Department	12/76 Rushdale St, Knoxfield, VIC 3180 +61 (3) 9764 2911/ sales@alliedpowertools.com.au
B	OMICRON-Benelux	Grote Steenweg 116, 3454 Rummen-Geetbets +32 (11) 58 43 50 / info@omicronwt.com
CN	德房家（中国）管道系统有限公司	无锡市锡山区万全路 30 号平谦国际现代产业园 P 栋 400 0688 668/ Dong.ji@viega.cn
	Viega (China) Plumbing Systems Co., Ltd.	Building P, Pingqian International Modern Industrial Park, No. 30 Wanquan Road, Xishan District, Wuxi, China (214107) 400 0688 668/ Dong.ji@viega.cn
CZ / SK	Mátl & Bula	Stará pošta 750, 66461 Rajhrad u Brna +420 5 4723 0048 / info@matl-bula.cz
D	Hans-Joachim Voigt & Sohn	Nordlichtstrasse 48/50, 13405 Berlin +49 (30) 413 4041 / info@voigtundsohn.de
	Hamburger-Hochdruck-Hydraulik GmbH	Billwerder Billdeich 601c, 21033 Hamburg +49 (40) 7511 900 / Service@HHHydraulik.com
	Hamburger-Hochdruck-Hydraulik GmbH – Süd	Neue Gautinger Str. 21, 82110 Germering, +49 (89) 130 111 03 / Service@HHHydraulik.com
DK	Scherer's Elektro	Valhøjs Alle 171, 2610 Rodovre +45 (44) 843738 / steffen@scel.dk
E	Tecno Izquierdo	Avda. del Manzanares 222, 28026 Madrid +34 (914) 759158 / tecno.izquierdo@telefonica.net
F	Plasti Pro	245 boulevard de l'Europe, 62118 Monchy-le-Preux +33 (361) 47 40 45 / contact@sarl-plastipro.fr
FN	Sähköhuolto Tissari Oy	Pojjutie 3, 70460 Kuopio +358 44 3038400 / info@sht.fi
GR	Ergon Equipment A.E.T.E.	102 Kleisthenous & Papafiessa Str, 153 44 Athens +30 (210) 604945 4 / astathis@ergon.com.gr
I	Elmes KG	Via Artigianale Nord, 6, 39044 Neumarkt +39 (0471) 813399 / info@elmes.it

Country code	Company	Address/contact
I	O.R.E. s.r.l.	Via Sassonia, 16/G, 47900 Rimini +39 (0541) 741003 / info@oreutensili.com
JP	Toyo Kiko Inc.	717-5 Shimokuya-machi, 378-0061 Numata-shi +81 (278) 24 41 77 / r.adachi@toyo-fit.co.jp
NO	Grønvold Maskinservice A/S	Brobekkveien 104 A, 0613 Oslo +47 (23) 05 06 40 / Terje@gronvoldmaskin.no
NL	MG Service	Canadabaan 2, 5388 RT Nistelrode +31 (412) 617 299 / info@mgservice.nl
RU	KONTURS-SDM	Московская область, Солнечногорский район, Ленинградское шоссе, 34 км., стр. 15 (полигон МАДИ) +7 (499) 155 07 11 / info@konturs-sdm.ru
S	Elektroverkstaden Kent Andersson AB	Propellervägen 7, 39241 Kalmar +46 (732) 30 57 40/ info@elektrov.se
UK	MEP Hire	Unit K, Ashley Drive Bothwell, G71 8BS Glasgow +44 800 587 5121/ hire@mephire.co.uk
	Broughton Plant Hire & Sales	Unit 10, Trade City, Ashton Road, RM3 8UJ Romford, Essex +44 (1708) 383350 / hire@mbroughtonltd.co.uk



Viega GmbH & Co. KG
service-technik@viega.de
viega.com

INT • 2021-05 • VPN210100

