

LED indoor light without sensor - Professional Line

RS PRO P1 flat

warm white
EAN 4007841 069704
Article number 069704



LED

30 years (Ø 4,5h / day)



indoor light



IP54



connectable with
master



energy saving



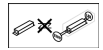
plastic free packaging

5 years

manufacturer's
warranty steinel.de/
garantie5y



Light source not
exchangeable



Control gear not
exchangeable

Function description

Circular classic. Perfect shape. Perfect efficiency. The perfect indoor light as version without sensor. The RS PRO P1 flat integrates harmoniously into corridors, hallways and stairwells. It combines timeless design and extremely easy installation with pioneering technology and can be interconnected with the sensor version by cable. Output: 8,2 W with 922 lm, 3000 K.

Technical specifications

Dimensions (Ø x H)	272 x 64 mm	Colour temperature	3000 K
With lamp	Yes, STEINEL LED system	Lamp	LED cannot be replaced
With motion detector	No	Base	without
Manufacturer's Warranty	5 years	LED cooling system	Passive Thermo Control
Version	warm white	Soft light start	Yes
PU1, EAN	4007841069704	Main light adjustable	No
Application, place	Indoors	Interconnection via	Cable
Colour	white	Lebensdauer LED nach IEC-62717 (L70)	100.000 h
Installation site	ceiling	Lebensdauer LED nach IEC-62717 (L80)	73.000 h
Installation	Ceiling	Lebensdauer LED nach IES TM-21 (L70)	>60.000 h
Impact resistance	IK03	Lebensdauer LED nach IES TM-21 (L80)	>60.000 h
IP-rating	IP54	Absicherung B10 (ST)	54
Protection class	II	Absicherung B16 (ST)	87
Ambient temperature	-10 – 40 °C	Absicherung C10 (ST)	90
Housing material	Plastic	Absicherung C16 (ST)	145
Cover material	Plastic, opal	Output	8,2 W
Mains power supply	220 – 240 V / 50 – 60 Hz	Colour Rendering Index CRI	= 82

<https://www.steinel.de>

Subject to technical modifications

02.2023 Page 1 from 2

RS PRO P1 flat

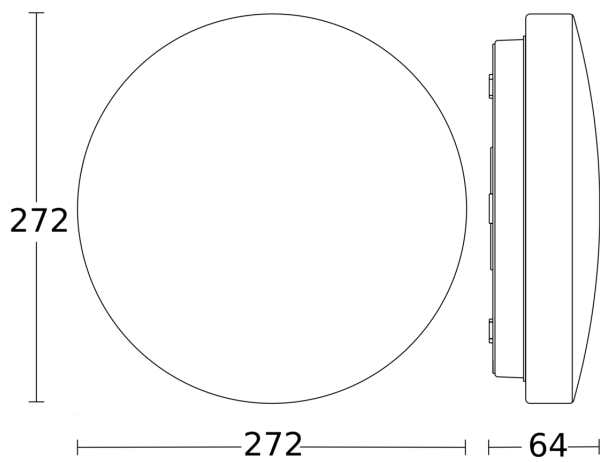
warm white
EAN 4007841 069704
Article number 069704

Technical specifications

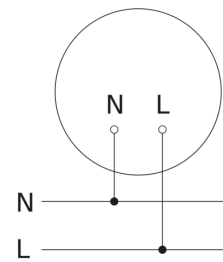
Luminous flux total product	922 lm
Total product efficiency	112 lm/W

Photobiological safety in accordance with EN 62471	RG1
Starting current, maximum	13 A

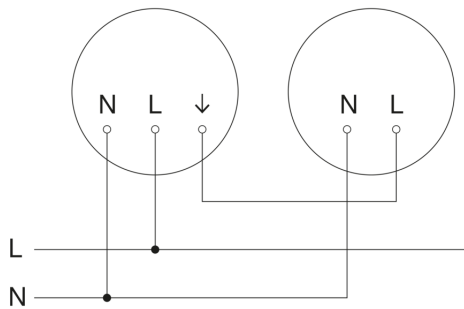
Dimension Drawing



Master circuit diagram



Master/slave interconnection circuit diagram



Master/slave interconnection circuit diagram

