

IS 345 MX Highbay

DALI-2 APC - surface, sq.
EAN 4007841 010591
Article number 010591



infrared sensor
360°



max. 30 x 4 m



IP54



2 - 1000 lux



5 sec - 15 min



manual override 4h



ideal 4 - 14 m

Teach

Teach mode



energy saving

5 years

manufacturer's
warranty steinel-
professional.de/
garantie

Function description

Surveillance on the highest level. Infrared motion detector IS 345 MX Highbay for indoors, ideal for large heights in depots, high-bay warehouses, machine shops, check-in areas and departure lounges, installation height 14 m, detection zone 30 x 4 m (radial), large terminal compartment for easy installation. Available as square surface-mounted and concealed version.

Technical specifications

Dimensions (L x W x H)	65 x 95 x 95 mm	Optimum mounting height	12 m
Manufacturer's Warranty	5 years	Detection angle	Aisle, 360 °
Settings via	Remote control, Potentiometers, Smart Remote	Angle of aperture	90 °
With remote control	No	Sneak-by guard	Yes
Version	DALI-2 APC - surface, sq.	Capability of masking out individual segments	Yes
PU1, EAN	4007841010591	Electronic scalability	No
Type	Motion detectors	Mechanical scalability	No
Application, place	Indoors	Reach, radial	30 x 4 m (120 m ²)
Application, room	high-bay warehouse, Indoors	Reach, tangential	30 x 4 m (120 m ²)
Colour	white	Switching zones	280 switching zones
Colour, RAL	9003	Functions	Normal / test mode, Manual ON / ON-OFF, Constant-lighting control ON-OFF
Includes corner wall mount	No	Twilight setting	2 - 1000 lx
Installation site	ceiling	Time setting	5 s - 15 Min.
Installation	Surface wiring, Ceiling	Basic light level function	Yes
IP-rating	IP54	Basic light level function time	1-30 min, all night
Ambient temperature	-20 - 50 °C		

IS 345 MX Highbay

DALI-2 APC - surface, sq.
EAN 4007841 010591
Article number 010591



Technical specifications

Material	Plastic	Main light adjustable	50 - 100 %
Mains power supply	220 – 240 V / 50 – 60 Hz	Twilight setting TEACH	Yes
Control output, Dali	Broadcast 1x30 electronic ballasts	Constant-lighting control	Yes
Technology, sensors	passive infrared, Light sensor	Interconnection	Yes
Mounting height	4,00 – 16,00 m	Type of interconnection	Master/slave
Mounting height max.	16,00 m	Interconnection via	Cable

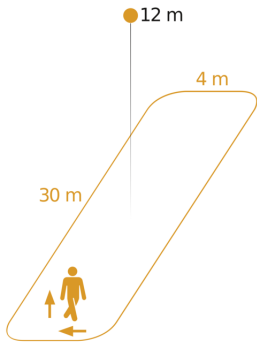
Accessories

EAN 4007841 009151	Remote control Smart Remote
EAN 4007841 559410	Service remote control RC8
EAN 4007841 592806	User remote control RC5
EAN 4007841 056711	Black cover for IR-sensors

IS 345 MX Highbay

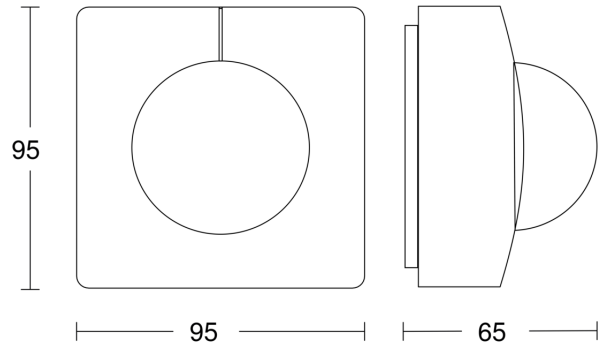
DALI-2 APC - surface, sq.
 EAN 4007841 010591
 Article number 010591

Detection Zone

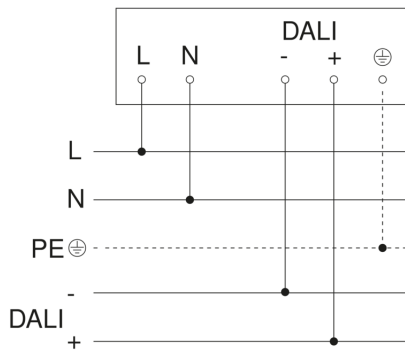


Possible mounting height: 4,00 m - 16,00 m
 Orange: radial and tangential

Dimension Drawing



Master circuit diagram



Circuit diagram for interconnecting DALI-2 APC with DALI-2 IPD

