

# Dual HF

DALI-2 APC - concealed  
 EAN 4007841 003005  
 Article number 003005



high frequency sensor 360°



max. 20 x 3 m



IP20



ideal 2,5 - 3,5 m



indoor sensor



iQ-mode



Teach mode



energy saving



5 years  
 manufacturer's warranty steinel-professional.de/garantie



CE

## Function description

Twice as vigilant. High-frequency corridor sensor Presence Control PRO DUAL HF DALI-2 Application Controller for indoors, ideal for passageways and long corridors, installation height up to 3.5 m, with digital DALI-2 Application Controller interface for controlling 2 lighting channels, DUAL-HF technology for radial detection of 20 m in two directions, detection regardless of temperature, HF-sensor technology also detects movement through glass, wood and stud walls, switches light 'ON' almost instantly.

## Technical specifications

Dimensions (L x W x H)	74 x 120 x 120 mm
Manufacturer's Warranty	5 years
Settings via	Remote control, DIP switches, Potentiometers, Smart Remote
With remote control	No
Version	DALI-2 APC - concealed
PU1, EAN	4007841003005
Type	Presence detector
Application, place	Indoors
Application, room	corridor / aisle, Indoors
Colour	white
Colour, RAL	9010
Includes corner wall mount	No
Installation site	ceiling
Installation	Concealed wiring, Ceiling
IP-rating	IP20

HF-system	5,8 GHz
Detection	also through glass, wood and stud walls
Detection angle	Aisle, 360 °
Angle of aperture	140 °
Sneak-by guard	Yes
Capability of masking out individual segments	No
Electronic scalability	Yes
Mechanical scalability	No
Reach, radial	20 x 3 m (60 m <sup>2</sup> )
Reach, tangential	20 x 3 m (60 m <sup>2</sup> )
Transmitter power	< 1 mW
Functions	Normal / test mode, Semi-/fully automatic, Pushbutton / switch mode, Manual ON / ON-OFF, Constant-lighting control ON-OFF
Twilight setting	10 – 1000 lx

# Dual HF

DALI-2 APC - concealed  
EAN 4007841 003005  
Article number 003005



## Technical specifications

Ambient temperature	-25 – 55 °C	Time setting	30 s – 30 Min.
Material	Plastic	Basic light level function	Yes
Mains power supply	230 V / 50 – 60 Hz	Basic light level function time	1-60 min, all night
Control output, Dali	Broadcast 2x12 electronic ballasts	Main light adjustable	50 - 100 %
Technology, sensors	High frequency, Light sensor	Twilight setting TEACH	Yes
Mounting height	2,50 – 3,50 m	Constant-lighting control	Yes
Mounting height max.	3,50 m	Interconnection	Yes
Optimum mounting height	2,8 m	Type of interconnection	Master/slave
		Interconnection via	Cable

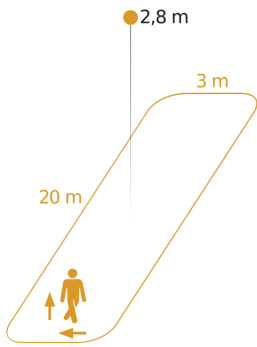
## Accessories

EAN 4007841 006600	HF-ceiling adapter
EAN 4007841 592806	User remote control RC5
EAN 4007841 000363	Surface-mounted adapter Control Pro IP54
EAN 4007841 003036	Control PRO guard cage
EAN 4007841 009151	Remote control Smart Remote
EAN 4007841 559410	Service remote control RC8

# Dual HF

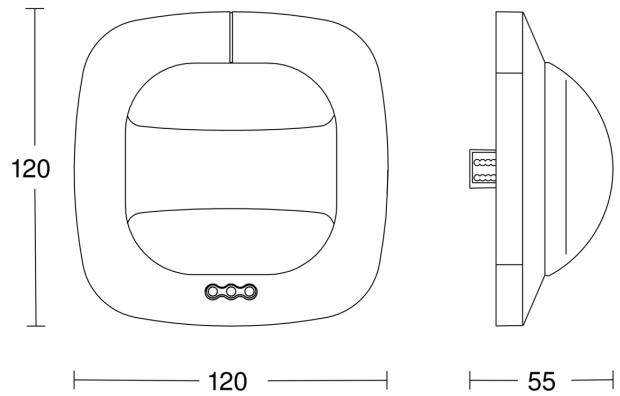
DALI-2 APC - concealed  
 EAN 4007841 003005  
 Article number 003005

## Detection Zone

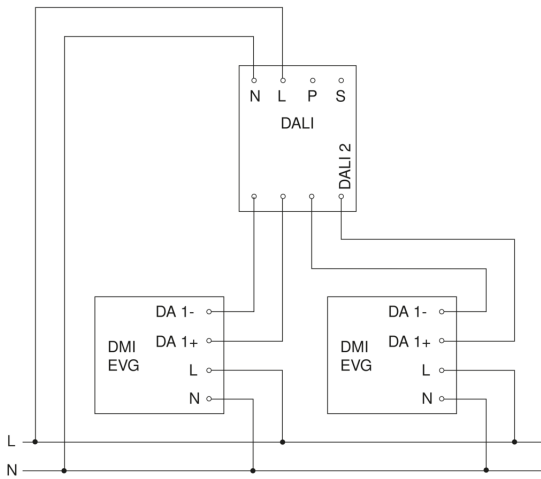


Possible mounting height: 2,50 m - 3,50 m  
 Orange: radial and tangential

## Dimension Drawing



## Master circuit diagram



## Master/master interconnection circuit diagram

