

HF 360

COM1 - Surface wiring
 EAN 4007841 751302
 Article number 751302



high frequency sensor 360°



max. Ø 12 m

2000 W

2000 W max. (LED-ready)



IP20



ideal 2,5 - 3,5 m



indoor sensor

iQ

iQ-mode

Teach

Teach mode



energy saving

5 years

manufacturer's warranty steinel-professional.de/garantie

Function description

Doesn't miss a thing. HF-presence detector Presence Control PRO HF 360 COM1 AP for indoors, ideal for WCs with toilet cubicles, changing rooms, stairwells, multi-storey car parks, kitchens, installation height up to 3.5 m, surface-mounting version for switching light 'ON' and 'OFF', 1 – 12 m reach, reach is electronically adjustable and can be limited in two directions, detection regardless of temperature, HF-sensor technology also detects movement through glass, wood and stud walls.

Technical specifications

| | | | |
|----------------------------|--|---|---|
| Dimensions (L x W x H) | 51 x 120 x 120 mm | Capacitive load in µF | 176 µF |
| Manufacturer's Warranty | 5 years | Technology, sensors | High frequency, Light sensor |
| Settings via | Remote control, DIP switches, Potentiometers, Smart Remote | Mounting height | 2,50 – 3,50 m |
| With remote control | No | Mounting height max. | 3,50 m |
| Version | COM1 - Surface wiring | Optimum mounting height | 2,8 m |
| PU1, EAN | 4007841751302 | HF-system | 5,8 GHz |
| Type | Presence detector | Detection | also through glass, wood and stud walls |
| Application, place | Indoors | Detection angle | 360 ° |
| Application, room | function room / ancillary room, kitchenette, stairwell, WC / washroom, Indoors | Angle of aperture | 140 ° |
| Colour | white | Sneak-by guard | Yes |
| Colour, RAL | 9010 | Capability of masking out individual segments | Yes |
| Includes corner wall mount | No | Electronic scalability | Yes |
| Installation site | ceiling | Mechanical scalability | No |
| Installation | Surface wiring, Ceiling | Reach, radial | Ø 12 m (113 m ²) |
| | | Reach, tangential | Ø 12 m (113 m ²) |

HF 360

COM1 - Surface wiring
 EAN 4007841 751302
 Article number 751302



Technical specifications

| | |
|---|--------------------|
| IP-rating | IP20 |
| Ambient temperature | -25 – 55 °C |
| Material | Plastic |
| Mains power supply | 230 V / 50 – 60 Hz |
| Fluorescent lamps, electronic ballast | 1500 W |
| Fluorescent lamps, uncorrected | 1000 VA |
| Fluorescent lamps, series-corrected | 1000 VA |
| Fluorescent lamps, parallel-corrected | 1000 VA |
| Switching output 1, low-voltage halogen lamps | 2000 VA |
| LED lamps < 2 W | 100 W |
| LED lamps > 2 W < 8 W | 300 W |
| LED lamps > 8 W | 600 W |

| | |
|----------------------------|---|
| Transmitter power | < 1 mW |
| Functions | Normal / test mode, Semi-/fully automatic, Pushbutton / switch mode, Manual ON / ON-OFF |
| Twilight setting | 10 – 1000 lx |
| Time setting | 30 s – 30 Min. |
| Basic light level function | No |
| Main light adjustable | No |
| Twilight setting TEACH | Yes |
| Constant-lighting control | No |
| Interconnection | Yes |
| Type of interconnection | Master/master, Master/slave |
| Interconnection via | Cable |

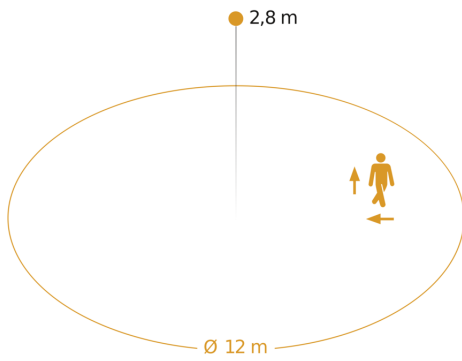
Accessories

| | |
|--------------------|--|
| EAN 4007841 003036 | Control PRO guard cage |
| EAN 4007841 000363 | Surface-mounted adapter Control Pro IP54 |
| EAN 4007841 009151 | Remote control Smart Remote |
| EAN 4007841 559410 | Service remote control RC8 |

HF 360

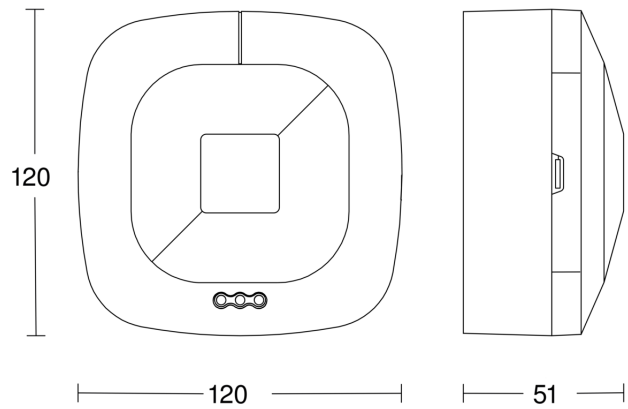
COM1 - Surface wiring
EAN 4007841 751302
Article number 751302

Detection Zone

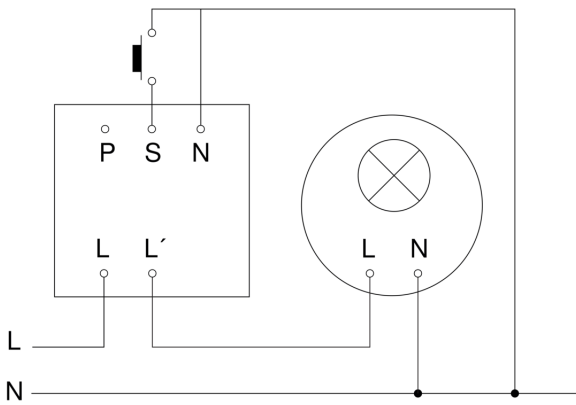


Possible mounting height: 2,50 m - 3,50 m
Orange: radial and tangential

Dimension Drawing



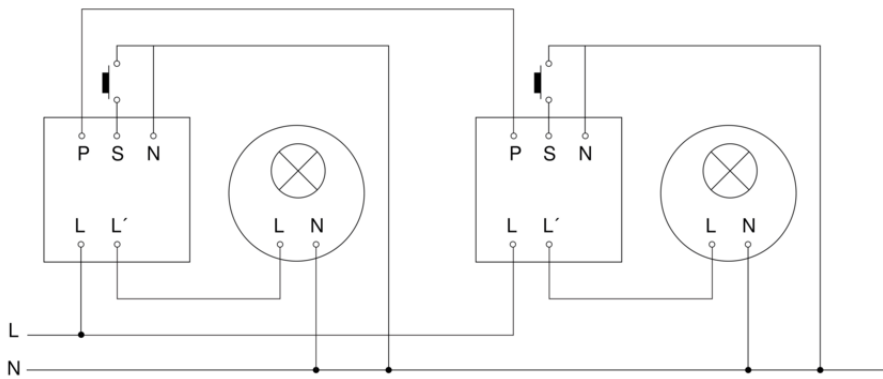
Master circuit diagram



HF 360

COM1 - Surface wiring
EAN 4007841 751302
Article number 751302

Master/master interconnection circuit diagram



Master/slave interconnection circuit diagram

