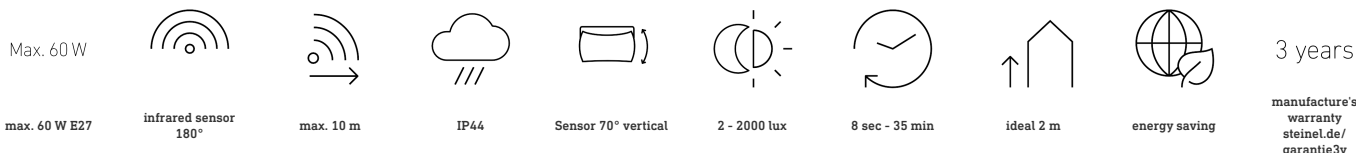


Sensor-switched outdoor light

L 585 S

Anthracite
EAN 4007841 035723
Article number 035723



Function description

Individualist all round. Outdoor SensorLight L 585 S, ideal for building fronts and entrances, 180° angle of coverage, reach up to 10 m, selectable time and twilight threshold, sensor tilts through 70° for exact adjustment of the detection zone.

Technical specifications

Dimensions (L x W x H)	229 x 215 x 312 mm
With lamp	No
Manufacturer's Warranty	3 years
Settings via	Potentiometers
With remote control	No
Version	Anthracite
PU1, EAN	4007841035723
Application, place	Outdoors
Application, room	outdoors, front door, all round the building, terrace / balcony, courtyard & driveway
Installation site	wall
Impact resistance	IK03
IP-rating	IP44
Protection class	II
Ambient temperature	-20 – 40 °C
Housing material	Plastic
Cover material	Glass transparent

Mounting height max.	3,00 m
Slave modeselectable	No
Sneak-by guard	Yes
Capability of masking out individual segments	Yes
Electronic scalability	No
Mechanical scalability	No
Reach, radial	r = 3 m (14 m ²)
Reach, tangential	r = 10 m (157 m ²)
Photo-cell controller	Yes
Cover material	sticker
Lamp	All-purpose lamp
Base	E27
Soft light start	No
Twilight setting	2 – 2000 lx
Time setting	8 s – 35 Min.
Basic light level function	No
Interconnection	No

<https://www.steinel.de>

Sensor-switched outdoor light

L 585 S

Anthracite
EAN 4007841 035723
Article number 035723



Technical specifications

Mains power supply	230 – 240 V / 50 Hz	Optimum mounting height	2 m
Output	60 W	Detection angle	180 °
Power consumption	0,55 W		

Accessories

EAN 4007841 003548 Replacement glass shade for L 70X/590/535/560/585

Sensor-switched outdoor light

L 585 S

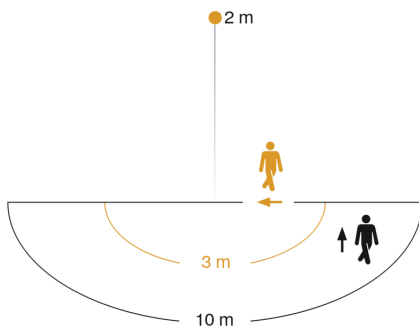
Anthracite

EAN 4007841 035723

Article number 035723



Detection Zone

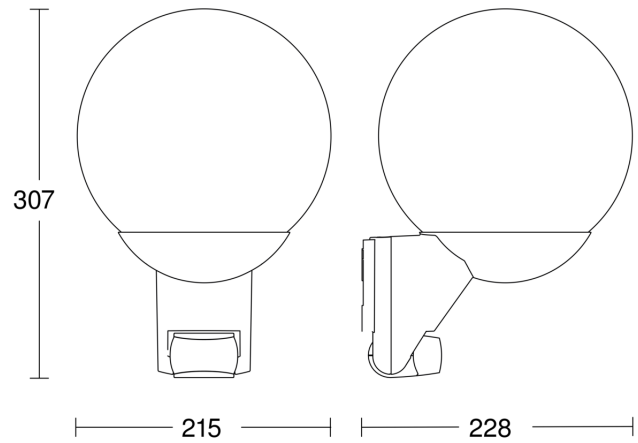


Mögliche Montagehöhe: 1,80 m – 3,00 m

Orange: radial

Schwarz: tangential

Dimension Drawing



Circuit diagram

