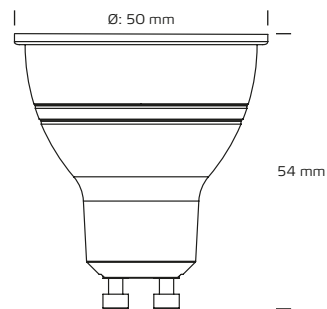


Light source GU10, 5.5W CRI>90, 2700K

Technical data

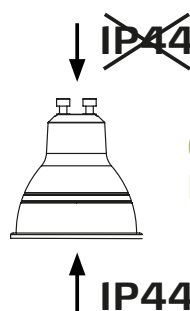
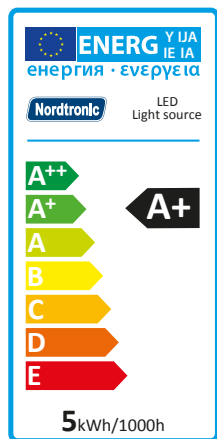
Height:	54 mm
Diameter:	Ø50 mm
Voltage:	220-240VAC 50 Hz
System effect:	5.5W
Socket:	GU10
Light source:	LED 2700 Kelvin
Light intensity:	350 Lumen
Colour rendering:	CRI>90
Beam angle:	38°
Dimmable:	Yes
Expected lifetime:	15.000 hours



*The drawing is not drawn to scale

Product information

- Flicker free
- High CRI
- High lumen
- Low minimum setting on dimming range*
*The lowest setting is tested down to 5% on Box Dimmer Zigbee, item no. 98425031



**ONLY FOR MOUNTING
IN DOWNLIGHTS**

NB: Always use cables of a type approved for permanent installation according to the current legislation. If the cables are in contact with the lamp cover, use cables with an operating temperature of at least 70° C.

Item no.	EAN no.	Type	Quantity
98111052	5704629000339	Dimmable	1 piece
98111152	5704629002012	Dimmable	10 pcs.