

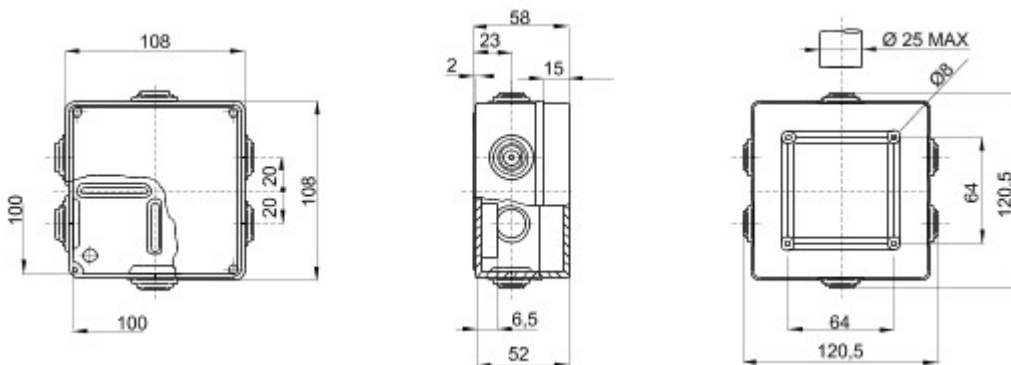


Range 44 CE - Surface-mounting watertight junction boxes in compliance with EN 60670-1 (CEI 23-48) and IEC 60670-22 (CEI 23-94) and made in high-performance technopolymers. The range includes versions with protection degree IP44, IP55, IP56 with smooth walls or with quick entry cable glands and different type of covers: blind / transparent, deep/plain, press-on/screw (in plastic, also 1/4 turn, or in metal). Available in different self-extinguishing materials (up to GWT 960 °C). Suitable for ordinary junctions, for special uses, and for industrial uses.

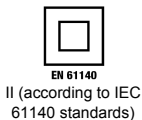
| | | | |
|--------------------------------------|---------------------------------------|---------------------------|-------------------------------|
| Insulation class | II (according to IEC 61140 standards) | Colour | Grey RAL 7035 |
| IP degree | IP55 | Material | Technopolymer GWPLAST 75 |
| Mechanical resistance | IK08 | Internal dim. LxHxD (mm) | 100x100x50 |
| Entries No. holes / Ø | 6 / 29 | Lid screws (no. and type) | 4 insul. a 1/4 turn, sealable |
| Application | Special uses | Glow Wire Test | 960 °C |
| Lid | Plain screwed | Operating temperature | -25 +60 °C |
| Electrocod | 02210 | Thermo-pressure with ball | 85 °C |
| Torque screws tightening | 1 Newton/meter | Walls | With cable glands |
| Accessories for insulation restoring | GW44622 | | |



DIMENSIONAL



TECHNICAL SYMBOLOGY



IP

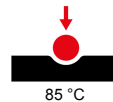
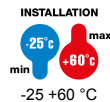
IP55

IK

IK08

GWT

960 °C



STANDARDS/APPROVALS

