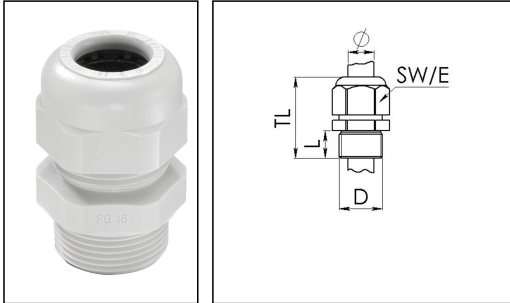


## SKV 36

Cable gland, polyamide, Pg 36, RAL 7035



Products may differ in size, colour and appearance to those shown. If you require further information or customisation, please contact us directly.



|                                 |                     |
|---------------------------------|---------------------|
| <b>Material cable gland</b>     | Polyamide           |
| <b>Material sealing gasket</b>  | EPDM                |
| <b>Temp. range min</b>          | -40 °C              |
| <b>Temp. range max</b>          | 100 °C              |
| <b>Protection class</b>         | IP68 (5 bar 30 min) |
| <b>Thread type</b>              | PG                  |
| <b>Ø Connection thread D</b>    | 36                  |
| <b>Length screw-in thread L</b> | 14 mm               |
| <b>Ø cable diameter min</b>     | 22 mm               |
| <b>Ø cable diameter max</b>     | 32 mm               |
| <b>Key width SW</b>             | 53 mm               |
| <b>Collar diameter (E)</b>      | 59 mm               |
| <b>Total length TL</b>          | 56 mm - 65 mm       |
| <b>Glow wire test</b>           | 750 °C              |
| <b>Type of cable anchorage</b>  | A                   |
| <b>Product Color</b>            | RAL 7035            |
| <b>Order no. RAL 7035</b>       | 10066407            |
| <b>Type</b>                     | SKV 36              |
| <b>Packing unit</b>             | 10                  |
| <b>ETIM-Classification</b>      | EC000441            |

### Recommended accessories

|               |          |
|---------------|----------|
| <b>MUG 36</b> | 10060677 |
|---------------|----------|

Your Contact:

**WISKA Hoppmann GmbH**

Kisdorfer Weg 28 · 24568 Kaltenkirchen · Germany

☎ +49-4191-508-0 · 📠 +49-4191-508-209

contact@wiska.de · www.wiska.com

**ADR 36**

10061426

**BS 28**

10064016

03.02.2021

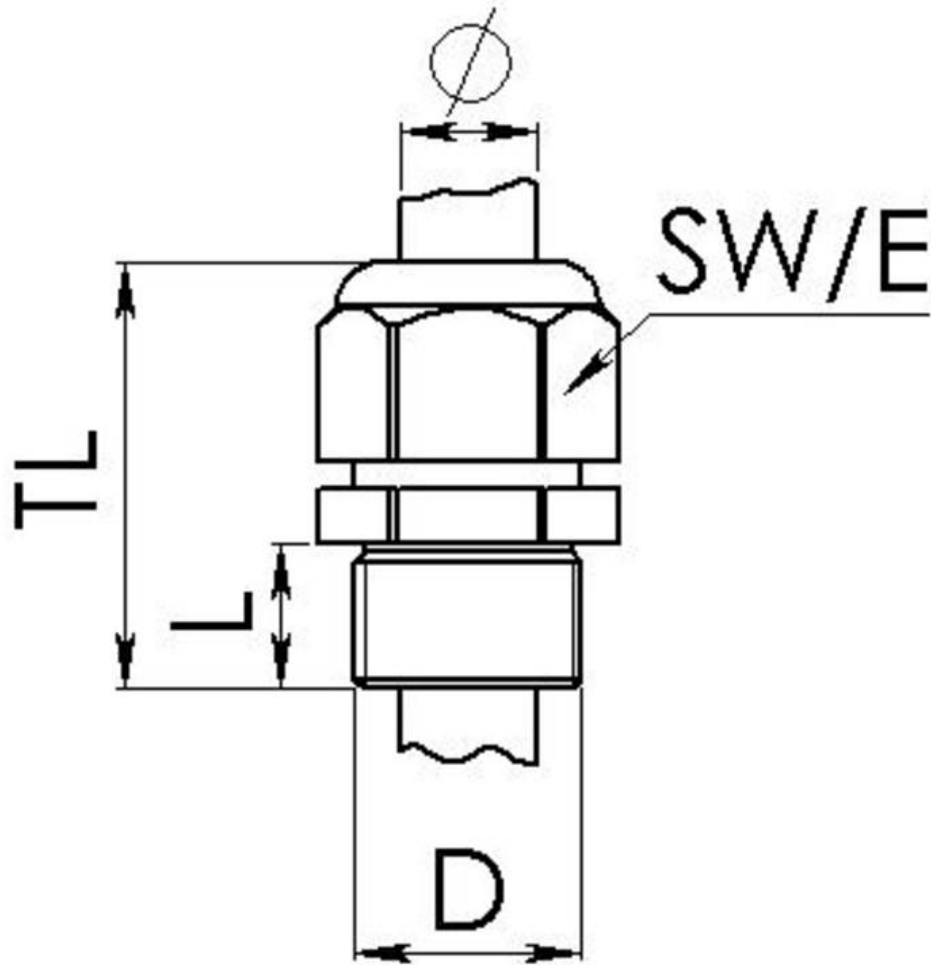
Your Contact:

**WISKA Hoppmann GmbH**

Kisdorfer Weg 28 · 24568 Kaltenkirchen · Germany

☎ +49-4191-508-0 · 📠 +49-4191-508-209

contact@wiska.de · www.wiska.com



Your Contact:

**WISKA Hoppmann GmbH**

Kisdorfer Weg 28 · 24568 Kaltenkirchen · Germany

☎ +49-4191-508-0 · 📠 +49-4191-508-209

contact@wiska.de · www.wiska.com