

UltraView 650TVL WDR Box Camera

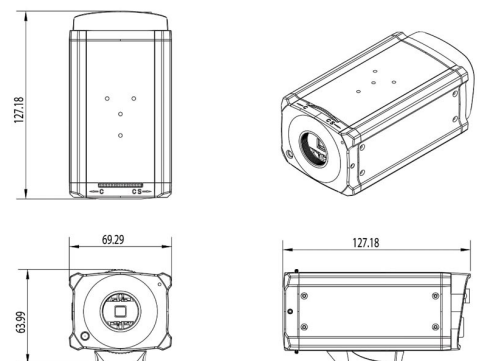
UVC-6130-1-P

Specifications

Camera	
Sensor Size:	1/3
Sensor Scan:	Interlaced
Sensor Type:	Super HAD CCD II / SONY
DSP:	Effio P / SONY
Total pixels (H x V):	NTSC:1020(H) x 508(V) / PAL:1028(H) x 596(V)
Effective pixels (H x V):	NTSC:976 (H) x 494(V) / PAL:976 (H) x 582(V)
Resolution (color):	650TVL
Resolution (B&W):	660TVL
Synchronization system:	Internal
Electronic shutter:	Auto 1/60 (1/50) ~ 1/100 000 sec
Digital S/N ratio:	52dB (AGC Off)
Video signal:	1.0 Vp-p / 75 ohm composite
Certification:	FCC,CE
Lighting performance	
Wide Dynamic Range:	ATR+WDR
WDR in dB:	112
Digital Noise reduction:	2DNR + 3DNR
Highlight compensation (HLC):	Yes
Day/Night:	True Day/Night
Motorized IR Cut Filter:	Yes
Color sensitivity:	0.55 lux@F1.2 (50IRE)
B/W sensitivity:	0.5 lux@F1.2 (50IRE)
Housing	
Camera type:	Box
Outdoor:	No
Rugged:	No
Vandal proof:	No
Lens	
Mount type:	C/CS
Control type:	DC
Varifocal:	Yes
Autoiris:	Yes
Power consumption	
PSU included:	No
Voltage Input:	12VDC / 24VAC
Current:	12VDC / 245mA - 24VAC / 240mA
Power Consumption:	12VDC / 2.9W - 24VAC / 2.4W
Audio	
Audio:	yes
Built-in Microphone:	Yes
Camera analytics	
Motion Detection:	Yes
Privacy Masking:	Yes
Alarm	
Alarm Input:	No
Alarm Output:	No
Mechanical / Environmental	
Dimensions:	127.2 x 69.3 x 52.3 mm (5.0 x 2.7 x 2.0 in.)
Weight:	415 g (0.9 lb.)
Operating Temperature:	-10 to 50°C (14 to 122°F)
Storage Temperature:	-20 to 70°C (-4 to 158°F)



- 650TVL WDR box camera
- 1/3" Super HAD CCD II
- 0.5 lux @ F1.2 (50IRE)
- WDR, ATR, 2DNR, 3DNR, HLC
- True Day/Night
- Motorized IR Cut Filter
- 24 VAC / 12 VDC
- Fits existing housings, brackets & lenses



Ordering Information

UVC-6130-1-P UltraView 650TVL WDR Box Camera