

Installation Guide

FHM-Cx

Compact Mixing Shunt

FH-TC

1	2	3	4	5	6	(max)
20°C	25°C	30°C	35°C	40°C	45°C	50°C

FH-ST

230V / 16A
T_s 55°C

FHM-FL

L/h

0 6 17

FH-MS

PFM 100/5001

kvs 7.4

GB Technical Data	
Test pressure	16 bar
Max. working pressure	10 bar
Max. differential pressure	0.6 bar
Max. flow temperature	90° C

Note! Max. working pressure and max. flow temperature given by the tube manufacturer must not be exceeded.

RU Технические характеристики	
Испыт. давление	16 бар
Макс. рабочее давление	10 бар
Макс. перепад давления	0,6 бар
Макс. температура теплоносителя	90° C

Примечание! Не допускается превышение максимальных значений рабочего давления и температуры потока, указанных изготовителем труб.

DK Tekniske data	
Testtryk	16 bar
Maks. arbejdstryk	10 bar
Maks. differenstryk	0,6 bar
Maks. fremløbstemperatur	90° C

NB! Maks. arbejdstryk og temperatur opgivet af rørleverandøren må ikke overskrides.

NO Tekniske data	
Test trykk	16 bar
Maks. driftstrykk	10 bar
Maks. differansetrykk	0,6 bar
Maks. medietemperatur	90° C

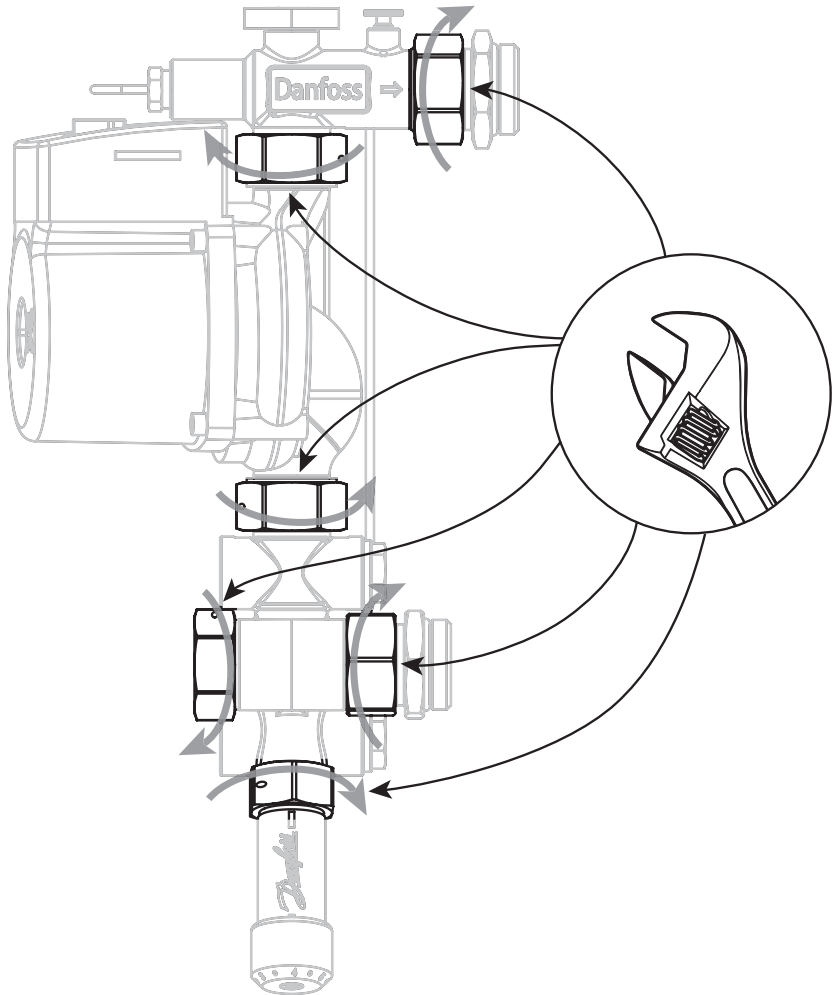
NB! Maks. driftstrykk og temperatur oppgitt av rørdusenten må ikke overskrides.

GB Tighten after transport

DK Tilspændes efter transport

RU Затянуть после транспортировки

NO Stram etter transport



ENGINEERING
TOMORROW



Danfoss A/S

Floor Heating Hydronics • Ulvehavevej 61 • DK-7100 Vejle • Denmark

Phone: +45 7488 8500 • Fax: +45 7488 8501

heating@danfoss.com • www.floorheating.danfoss.com

Danfoss can accept no responsibility for possible errors in catalogues, brochures and other printed material. Danfoss reserves the right to alter its products without notice. This also applies to products already on order provided that such alterations can be made without subsequential changes being necessary in specifications already agreed. All trademarks in this material are property of the respective companies. Danfoss and the Danfoss logotype are trademarks of Danfoss A/S. All rights reserved.
