

## TECHNICAL DATA SHEET

# Ref. 500099

## BIPOLAR BATTERY

## MASTER SWITCH

## 24VDC / 250A



### GENERAL CHARACTERISTICS

Protection degree: IP66  
Ambient temperature: -40°C to +85°C  
Weight: 1.00 Kg approx.  
Contacts: Tempered copper  
Connections: not polarized

### FIELDS OF APPLICATION

Agriculture machinery, industry...

### POWER CIRCUIT

Connection: M10 terminals  
Recommended tightening torque: 1.5 +/- 0.1 daN.m  
Max. tightening torque: 2.5 +/- 0.1 daN.m  
Type: Normally open **BIPOLAR**  
Max. using tension: 48 VDC  
Nominal current: 250 A  
Max. capacity: 2500 A during 5 seconds

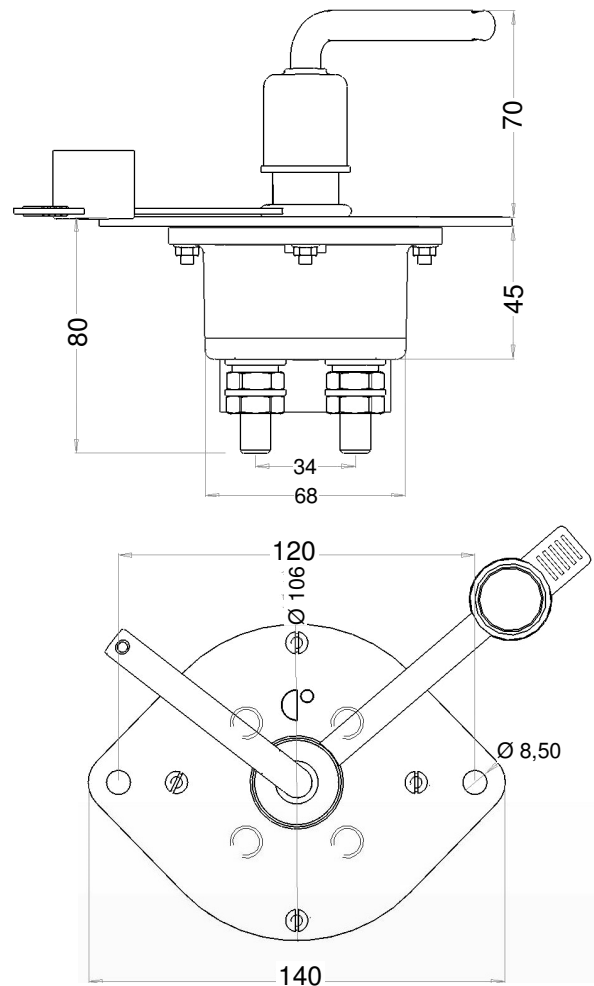
### PARTICULAR CHARACTERISTICS:

Removable handle with PVC protector

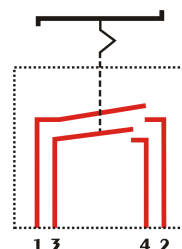
### SPARE PARTS

Handle + chain + protector	520020
Handle	500029
Strap + PVC protection	520003

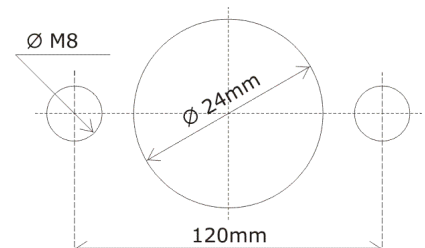
### Size diagrams



### Connection diagram



### Fixing diagram



**ELECTRO  
MECANICA  
CORMAR**  
P.I. LLINARS PARK, C/ TECNOLOGIA, 82, NAVE Nº7  
08450 LLINARS DEL VALLÈS  
BARCELONA (SPAIN)

Tel. : + 34.93.732.35.91 - Fax : + 34.93.732.35.90

[www.cormar.es](http://www.cormar.es) - [info@cormar.es](mailto:info@cormar.es)