

EAN: 6414150081743

www.oras.com/en/products/oras/product/8225F

Kitchen faucet with dishwasher valve, swivel spout, Smart press pad and aerator. Spout's swing angle is factory preset at 110°, can be limited to 60° or 85°. Smart, remote press pad opens water, pushing again closes water, safety stop after 60 seconds. Equipped with an on/off and flow rate control, and a temperature control. Red LED light illuminates the temperature control lever to indicate hot water. The dishwasher valve is opened by pressing the remote press pad and signal light shows that dishwasher valve is activated. The valve closes automatically after preset period: 4 or 12 hours (one push opens the valve for 4 hours, pushing for 5 seconds opens the valve for 12 hours).

Electrical connection with a plug transformer 230/12 V

Design: Mario Trimarchi

F = with flexible pipes

- Kitchen
- Two-grip, Plug-in transformer
- Deck mounted
- Chrome
- Swivel spout

Technical data

Flow properties

Flow-rate at 300 kPa	0.17 l/s
Pressure loss with flow (0.1 l/s)	105 kPa

Technical properties

Hot water supply	max. +70°C
Working pressure	100 - 1000 kPa
Connection size	G3/8
Material	brass

Software settings

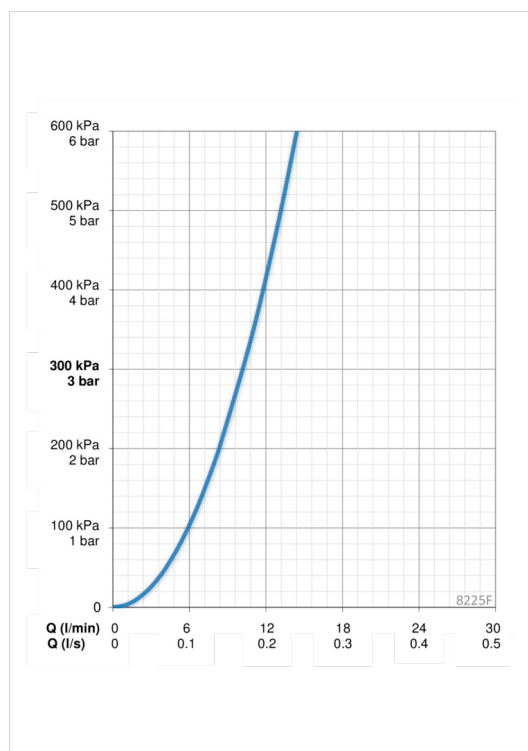
Dishwasher valve open period	4 h / 12 h
Max. flow period	60 s (4-120 s)

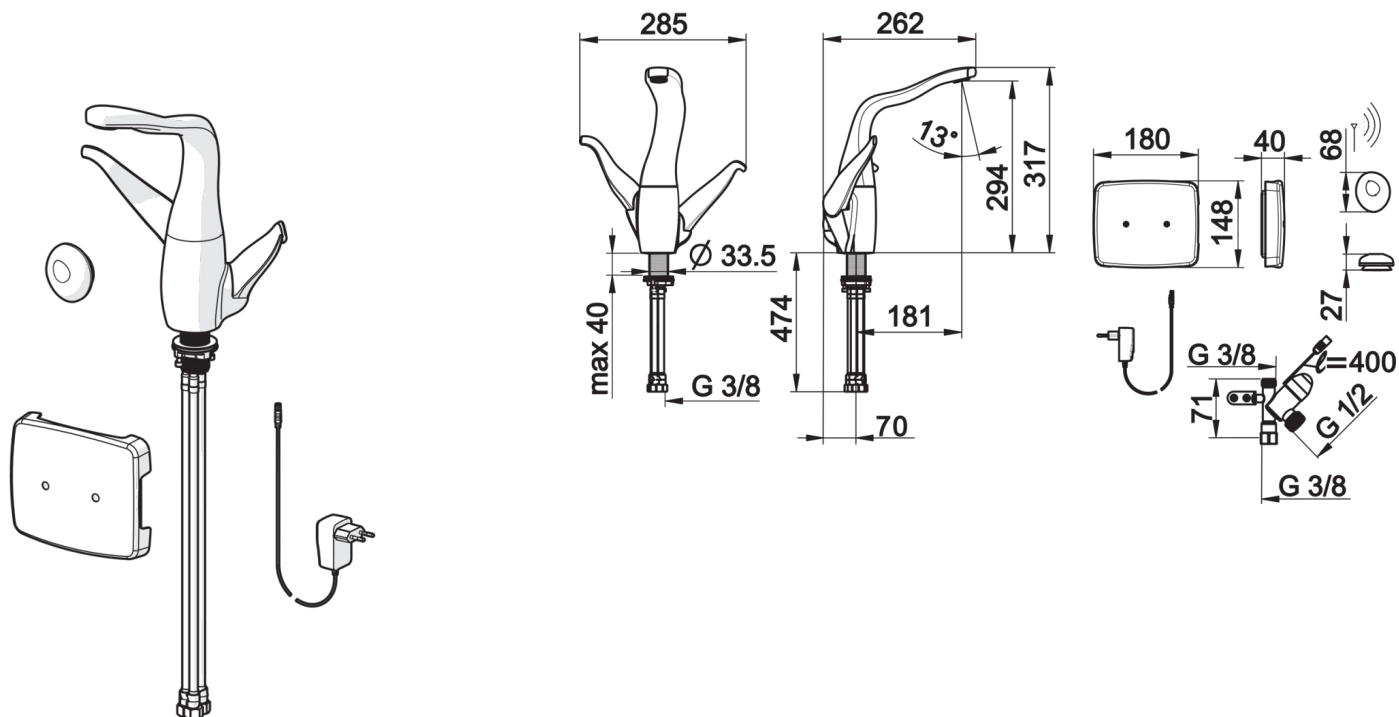
Electronic properties

Electrical Connection	230 / 12 V
Battery	CR 2450 3 V

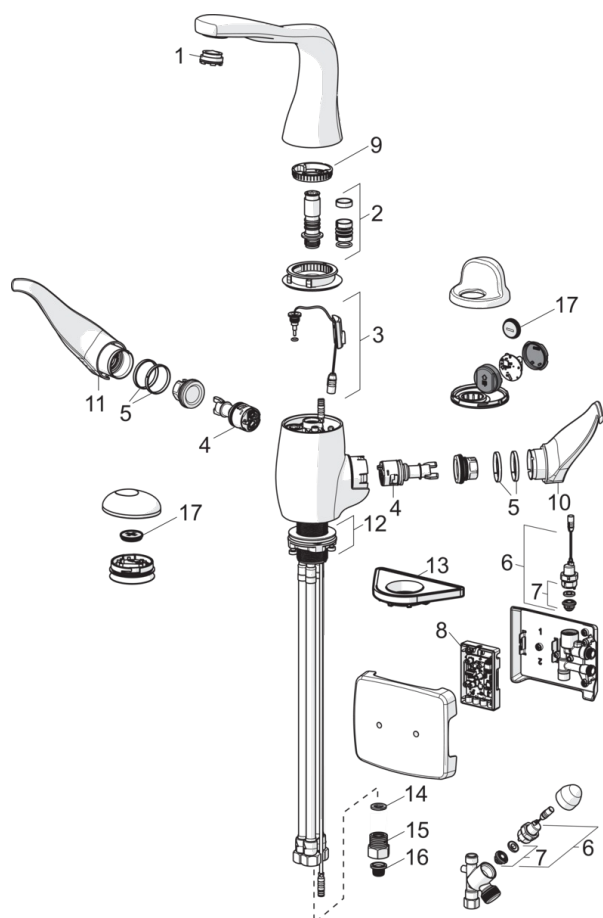
Regulations

EMC Directive	CE 2014/30/EU
EN standard	EN 15091
Noise class	I (ISO 3822) Oras lab.
Protection class	IP 55





Spare parts



SP8222F

	Code
01	601287V
02	198287V
03	1001729V
04	602547V
05	1001155V
06	601884V-F
07	601512V
08	1002071V
09	602560V
10	602557V
11	602558V
12	602573V
13	158825
14	600705/10
15	198473/2
16	199257/2
17	601468V