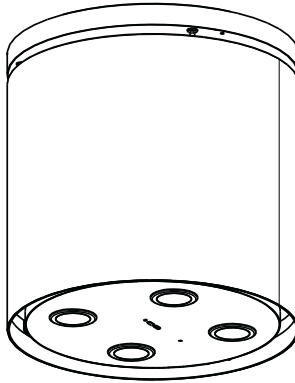




NOSTE



Instructions Manual
Käyttöohje

INDEX

EN


SAFETY INFORMATION	3
CHARACTERISTICS	6
INSTALLATION	9
USE	20
CARE AND CLEANING	22


SISÄLTÖ

FI

TURVALLISUUSTIETOJA	24
MITAT JA OSAT	27
ASENNUS	30
KÄYTTÖ	41
PUHDISTUS JA HUOLTO	43

SAFETY INFORMATION

 For your safety and correct operation of the appliance, read this manual carefully before installation and use. Always keep these instructions with the appliance even if you move or sell it. Users must fully know the operation and safety features of the appliance.

 The wire connection has to be done by specialized technician.

- The manufacturer will not be held liable for any damages resulting from incorrect or improper installation.
- The minimum safety distance between the cooker top and the extractor hood is 650 mm (some models can be installed at a lower height, please refer to the paragraphs on working dimensions and installation).
- If the instructions for installation for the gas hob specify a greater distance, this must be respected.
- Check that the mains voltage corresponds to that indicated on the rating plate fixed to the inside of the hood.
- Means for disconnection must be incorporated in the fixed wiring in accordance with the wiring rules.
- For Class I appliances, check that the domestic power supply guarantees adequate earthing.
- Connect the extractor to the exhaust flue through a pipe of minimum diameter 120 mm. The route of the flue must be as short as possible.
- Regulations concerning the discharge of air have to be fulfilled.
- Do not connect the extractor hood to exhaust ducts carrying combustion fumes (boilers, fireplaces, etc.).

- If the extractor is used in conjunction with non-electrical appliances (e.g. gas burning appliances), a sufficient degree of aeration must be guaranteed in the room in order to prevent the backflow of exhaust gas. When the cooker hood is used in conjunction with appliances supplied with energy other than electric, the negative pressure in the room must not exceed 0,04 mbar to prevent fumes being drawn back into the room by the cooker hood.
- The air must not be discharged into a flue that is used for exhausting fumes from appliances burning gas or other fuels.
- If the supply cord is damaged, it must be replaced from the manufacturer or its service agent.
- Connect the plug to a socket complying with current regulations, located in an accessible place.
- With regards to the technical and safety measures to be adopted for fume discharging it is important to closely follow the regulations provided by the local authorities.


⚠ WARNING: Before installing the Hood, remove the protective films.

- Use only screws and small parts in support of the hood.


⚠ WARNING: Failure to install the screws or fixing device in accordance with these instructions may result in electrical hazards.

- Do not look directly at the light through optical devices (binoculars, magnifying glasses...).
- Do not flambè under the range hood; risk of fire.
- This appliance can be used by children aged from 8 years and above and persons with reduced physical, sensory or mental capabilities or lack of experience and knowledge if they have been given supervision or instruction concerning use of the appliance in a safe way and understand the hazards involved. Children shall not play with the appliance. Cleaning and user maintenance shall not be made by children without supervision.
- Children should be supervised to ensure that they do not play with the appliance.

- The appliance is not to be used by persons (including children) with reduced physical, sensory or mental capabilities, or lack of experience and knowledge, unless they have been given supervision or instruction.

 Accessible parts may become hot when used with cooking appliances.

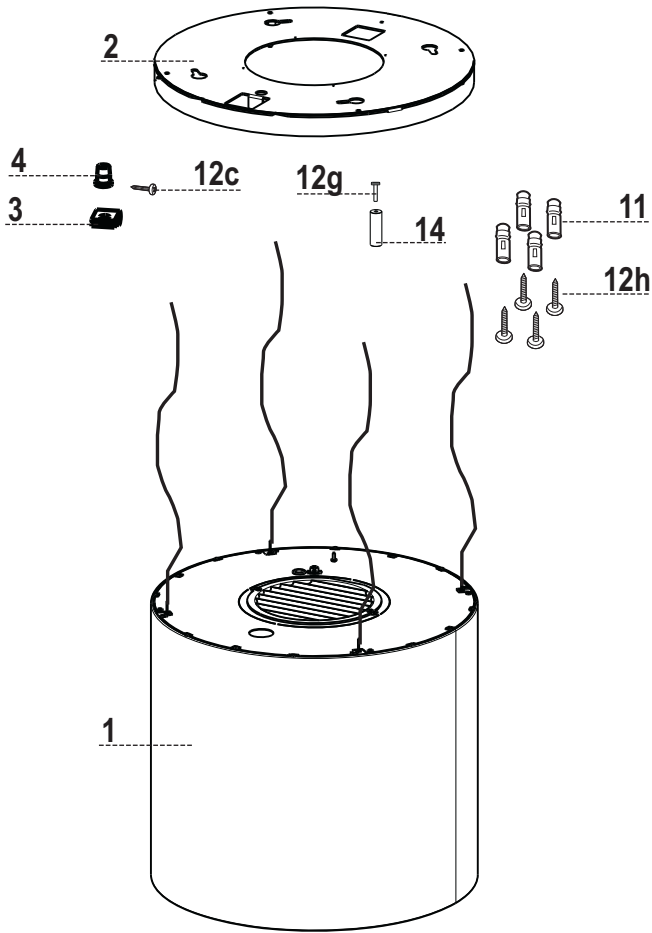
- Clean and/or replace the Filters after the specified time period (Fire hazard). See paragraph Care and Cleaning.
- There shall be adequate ventilation of the room when the range hood is used at the same time as appliances burning gas or other fuels (not applicable to appliances that only discharge the air back into the room).

- The symbol  on the product or on its packaging indicates that this product may not be treated as household waste. Instead it shall be handed over to the applicable collection point for the recycling of electrical and electronic equipment. By ensuring this product is disposed of correctly, you will help prevent potential negative consequences for the environment and human health, which could otherwise be caused by inappropriate waste handling of this product. For more detailed information about recycling of this product, please contact your local city office, your household waste disposal service or the shop where you purchased the product.

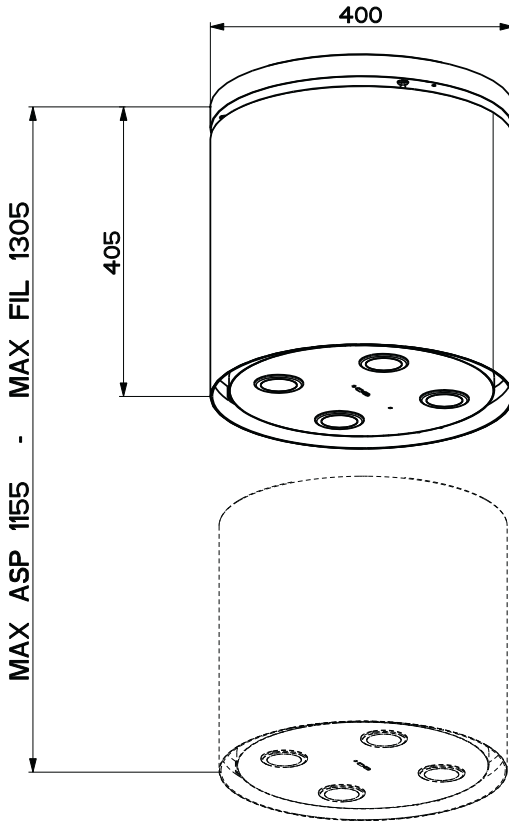
CHARACTERISTICS

Components

Ref.	Q.ty	Product Components
1	1	Hood Canopy complete with: Controls, Light, Filters, Motor.
2	1	Hood support plate.
3	1	Power supply cable lock
4	1	Cable raceway
14	1	Pawl
Ref.	Q.ty	Installation Components
11	4	Wall plugs ø 10
12h	4	Screws M5 x 70
12c	1	Screws 2.9 x 9.5
12g	1	Screws for pawl
Q.ty	Documentation	
1	Instruction Manual	



Dimensions



INSTALLATION

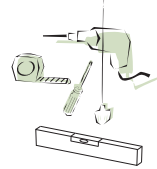
This hood is designed to be mounted on the ceiling/on a shelf, above a free-standing Hob (min. 650 mm), in:

- **Ducting version:** Evacuation to the outside.
- **Recirculation version:** Internal recirculation.

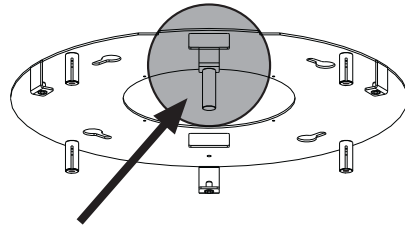
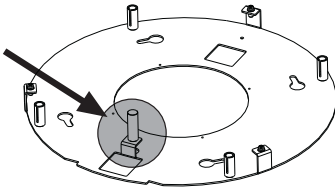
Warning: The F-Light hood is a system comprising hood + lamp, so that two separate electrical wiring systems must be provided, one for the hood and one for the lamp.
The Zoom model is not fitted with a lamp.

Sequence of operations - Installation

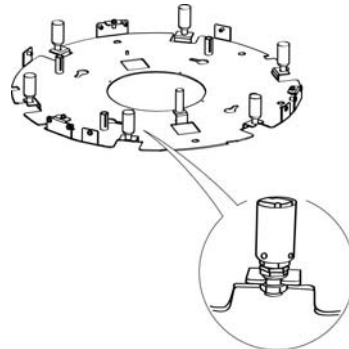
- **Preparing for installation**
- **Drilling the Ceiling/Shelf and Fixing the support plate**
- **Connection**
- **Fitting the hood body**
- **Functional Check**
- **Disposal of Packaging**

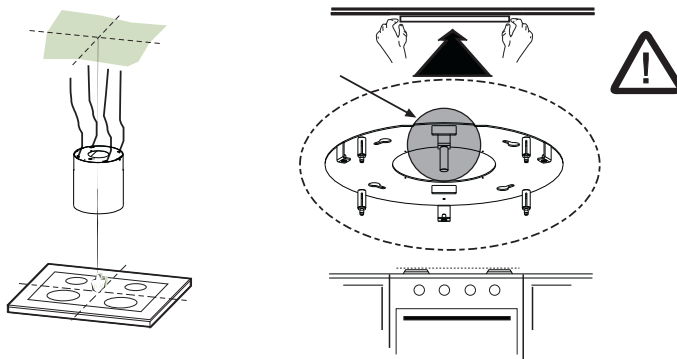


Fitting the Limiter pawl



- Unfasten the 3 screw that join the parts of the Plate (of different shapes and/or sizes) using the wrench provided.
- Take the Pawl and fix it to the plate on the bracket in the position indicated in the figure, using the screw provided.
- Take the bulb holders and slot them onto the brackets provided, which can be seen by their fork-shaped ends.
Warning: the clamps used to fix the wires must not be cut.
- Tighten the Screw fixing the bulb holders to the bracket, in such a way as to hold the latter between the 2 washers.





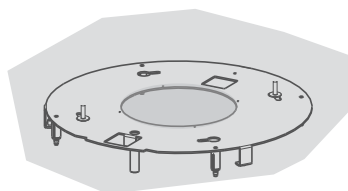
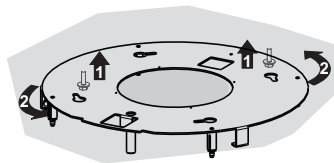
Ceiling/Shelf drilling and Plate Fixing

CEILING/SHELF DRILLING

- Use a plumb-line and mark the centre of the cooking hob on the Support Ceiling/Shelf.
- Rest the plate against the ceiling/shelf, taking care to keep the limit pawl that has just been fitted in a position facing the installer and the cooking hob (the limit pawl must not be confused with the other 4 used to fix the steel cables that move the Hood).
- Mark on the ceiling the centres of the holes in the plate.
- Drill the following points:
 - Ceilings in solid concrete: As per concrete plugs used.
 - Ceilings in hollow bricks with 20 mm resistance thickness: Drill a hole \varnothing 10 mm (insert Plugs **11** supplied immediately).
 - Ceilings with Wood Beams: As per Wood Screws used (not supplied).
 - Wooden shelf, with a resistant thickness of 15 mm: drill a hole \varnothing 7 mm.
 - Feeding the electric supply cable: drill a hole \varnothing 10 mm.
- **Warning:** there will be two lines to be connected: a direct electric line for the hood power supply and another line with a switch for the lamp. This does not apply to Zoom model.
- Air Outlet (Ducting Version): according to the diameter of the connection to the external ducting pipe.
- Insert two screws, crossing them and leaving 4-5 mm from the ceiling:
 - for solid concrete, concrete plugs, not provided.
 - for hollow bricks with approx. 20 mm resistance thickness, screws **12h**, provided.
 - for wooden beams, wood screws, not provided.
 - for wooden shelves, screws with washers and nuts, not provided.

FIXING THE PLATE

- Lift up the fixing plate, taking care to ensure that the limit pawl is positioned frontally.
- Fit the slots onto the two screws previously inserted in the ceiling, and turn until they are at the centre of the adjustment slot.
- Tighten the two screws completely and screw in the other two provided; before locking the screws completely it is possible to make adjustments by turning the piece, making sure that the screws do not come out of the adjustment slot.
- The unit must be securely fastened both due to the weight of the Hood and the stress caused by occasional sideways pressure on the Appliance when in position. Once the unit has been fixed, make sure that the plate is stable.
- In all cases where the Ceiling is not sufficiently strong at the point of suspension, the Installation technician must strengthen it with suitable plates and counterplates, anchored to structurally sound elements.

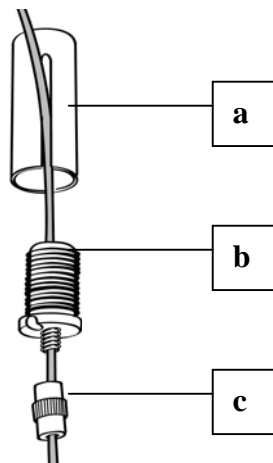


CONNECTING HOOD-PLATE CABLES

N.B. Before continuing with installation it is necessary to move the hood to a height of at least 650 mm from the cooker hob, using a support or the assistance of another person.

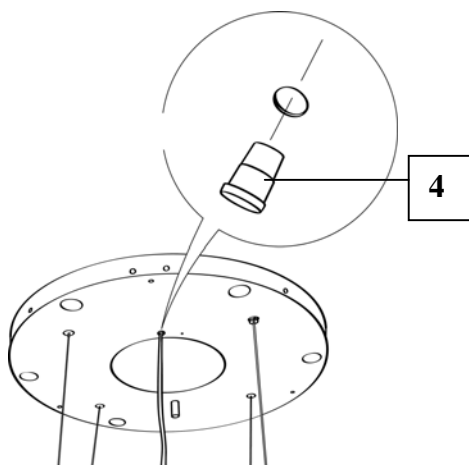
⚠ This is essential, as the hood cables must **necessarily** be connected to the plate fitted to the ceiling without the weight of the hood bearing on the structure.

- The cable fixing system is made up of 3 parts:
 - Threaded Pawls (a) already mounted on the ceiling plate.
 - Cable clamp screws (b) provided.
 - Safety knobs (c) provided.

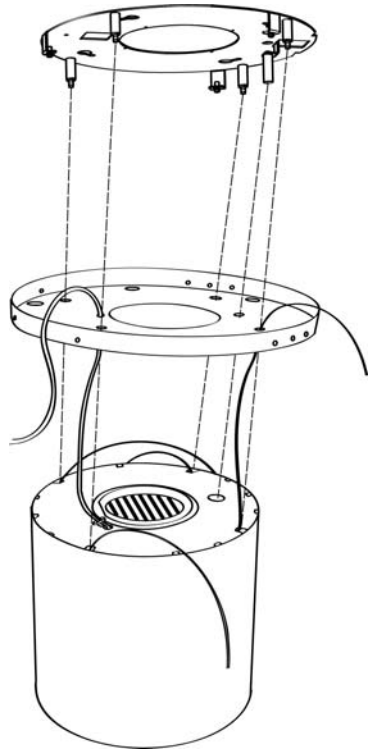
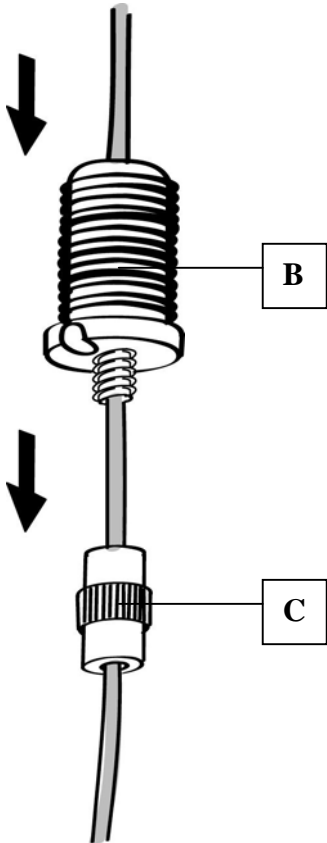


- Pass the cables connected to the hood canopy into the respective holes in the plate cover, after dismantling

- Insert the cable raceway 4 in the opening on the plate cover and pass the hood power supply cable through it.

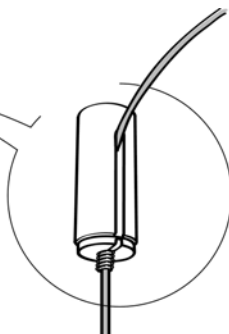
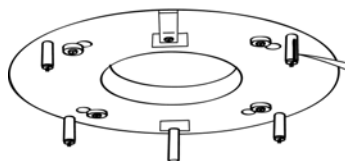


- Attention to the direction of the plate fixed to the ceiling (the limit pawl on the plate fastened to the ceiling has a corresponding hole on the plate cover and on the hood canopy).

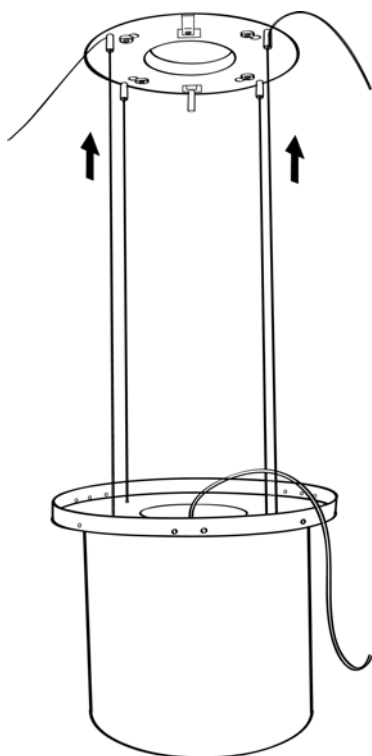


- Insert the cables into the safety knobs (c) with the thread at the top.
- Insert the cables into the cable clamp screws (b)

- Pass the cables through the slots in the threaded pawls (a) and screw the cable locking screws (b) to the pawls themselves.



- When the operation has been completed the result must be as shown in the figure for all 4 cables.



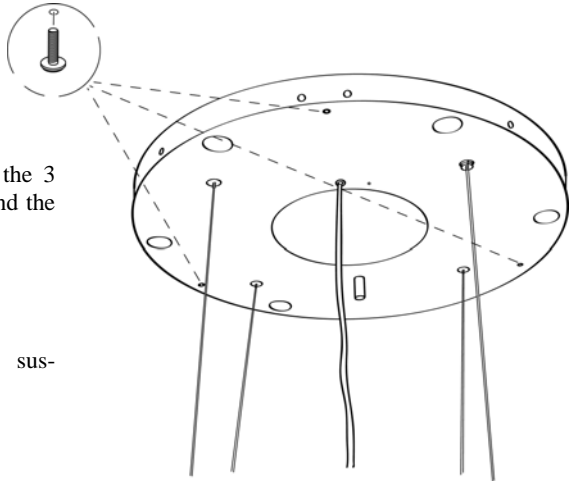
- At this point we have all 4 cables connected to the plate

Bring the cables under tension by pushing them upwards so that they slide inside the cable clamp screw and slide out of the slot in the threaded pawl.

This is possible because the cable clamp screw has a system that, if mounted properly, allows the cables to slide inside it in one direction only, and prevents it from sliding in the other direction.

Attention, the cables all have the same length to facilitate the operation of the final level. The front left cable must not be slacker than the others.

- At this point it is possible to connect up the hood, and the lamp if there is one, to the power supply using the respective power cables.



- Close the plate cover using the 3 screws removed previously and the wrench provided
- At this point the Hood is suspended.

Connections

AIR OUTLET - DUCTING VERSION

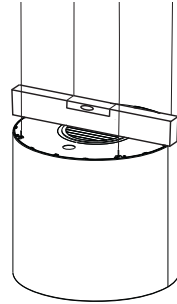
To install the hood in the ducting version, please refer to the instructions provided in the ducting kit specific to the hood.

AIR OUTLET – RECIRCULATION VERSION

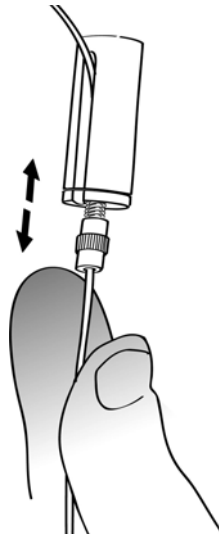
- Open the lighting unit by pulling on the notch provided.
- Remove the grease filter.
- Make sure that the Activated charcoal odour filter has been fitted.

LEVELLING THE HOOD

- The hood mobile unit must be levelled to allow the movement to operate properly.
- The hood is levelled by adjusting the safety pawls.



- Rest a spirit level on the hood.



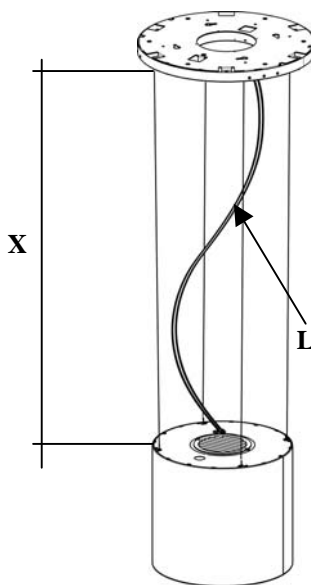
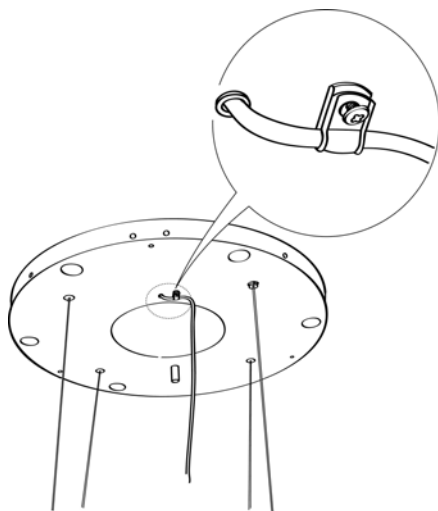
- When the safety knobs are pressed upwards, movement of the hood is “unlocked”. By inserting or extracting the cable from the cable clamp screw it is possible to make adjustments that allow the mobile hood body to be levelled.
- Once the hood has been set level, the safety knobs must be tightened again.

Warning:

- **Please check that all 4 cables are stretched.**
- **Please check that all 4 cables were not damaged during installation.**
- **It must be remembered that the minimum distance between the hood and the cooking hob must be 650mm.**
- **The mobile unit (hood canopy) must have a maximum stroke of 900 mm in case of recirculation version and in the case of the ducting kit of 750mm.**

FIXING THE POWER SUPPLY CABLE

- Wind the power cable around its axis so that it forms a spiral from the mobile body to the plate in the ceiling.
- It is important to do this to prevent the wire come out from the hood body during the closing of the hood



- Take the cable clamp **3** provided.
- Insert the Power cable in the Cable clamp **3** and screw it to the plate using one of the Screws **12c** provided.

Finally, check that the power supply cable is properly locked, checking that when the mobile unit rises up towards the ceiling, it positions itself over the mobile unit and does not come out from the edge of the hood.

The length of the Power Cable “L” must be equal to the stroke “X” plus 50mm for the Recirculation Version and 200 mm for the Ducting Version.

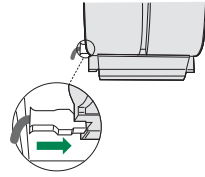
L = X + 50 mm **Recirculation version**

L = X + 200 mm **Ducting version**

Electrical connection

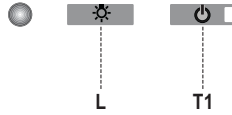
- Connect the Hood to the Mains Power Supply, inserting a bipolar switch with a contact aperture of at least 3 mm.
- Open the lighting unit by pulling on the catch provided
- Remove the Filter, pushing it towards the back of the unit and at the same time pulling downward.
- Make sure that the Power cable has been properly inserted into the Suction fan socket

- Replace the Grease filter and then the lighting unit.



USE

Control panel



Button	Function	Display
L	Turns the lights On/Off.	-
T1	Hood Down Press for 2 seconds to raise the Hood. Press briefly to turn the Motor On/Off.	On/Off
	Hood Up Press once: The Hood lowers. Press a second time: The Hood Stops. When the movement has been completed the motor turns on at Speed two.	Off/Off

Warning: The Hood controls only control the Hood functions. The Lighting unit has a completely separate power supply and a separate switch.

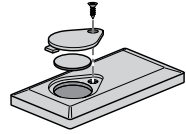
The electronic control system recognises and signals two types of fault.

Led T1	
Slow flashing	<p>Current absorption threshold exceeded: If an overload condition occurs, the fault is signalled by LED T1 on the keyboard flashing once every 2 seconds. Check that nothing is blocking normal hood movements. The signal remains active until a new hood open/close command is given.</p>
Rapid flashing	<p>Hood opening safety microswitch tripped: If the safety microswitch trips, the fault is signalled by LED T1 on the keyboard flashing quickly (once every 250 ms). This means that the hood has passed the microswitch..... Call Technical Assistance! You can continue to use the hood's light and motor functions while this fault is active. Whenever the motor is on, LED T1 will continue to flash, indicating that the fault is still present.</p>

REMOTE CONTROL

This appliance can be commanded using a remote control, powered by a CR2032 type 3 V battery (not supplied).

- Do not place the remote control near heat sources.
- Do not discard the batteries with normal waste, they must be put into the specific containers.



Control panel

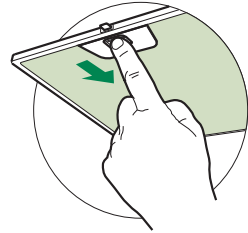


⏻	⏻	Turns the Motor On/Off.	-
	↕	Hood Closed: <ul style="list-style-type: none"> - Press the button briefly to start lowering the hood - It will stop when the button is pressed again. When the movement has been completed the motor will start at speed 2.	-
	↕	Hood Open: <ul style="list-style-type: none"> - Press and hold for 2 seconds to activate raising of the hood, which stops when it reaches the stop. - Press (briefly) to stop the movement (before the stop is reached). - Press again briefly to turn the motor on/off. - Press and hold for 2 seconds to start raising of the hood. - If the motor is on, it will first stop the motor and then start the movement. 	-
	☂	-	
	☀	Turns the Hood lights On/Off.	-
🌀	🌀	INTENSIVE <ul style="list-style-type: none"> - This can only be activated with the hood lowered and when the delay or 24h functions are not active. - Activates Intensive speed from any other speed. - To disable it, simply press the same button again or turn the motor off. - Intensive speed is timed to run for 6 minutes. At the end of the 6 minutes the system will automatically return to the speed that was set before. 	The led on the motor button (on the hood controls) will flash once a second.
⏻	⏻	Press briefly for the Delay Function: Can only be activated if the Intensive or 24h function is not active. Activates and deactivates total shutdown of the hood (motor+lights) after 30 minutes: To disable the Delay, simply press the button again or turn the motor off.	The led on the motor button (on the hood controls) will flash once every 0.5 seconds.
	⏻	Press and hold for 2 sec. for the 24H Function: Can only be activated if the Intensive or Delay function is not active. Activates and deactivates the 24H function for 10 minutes every hour, for 24 hours. After this time it is deactivated.	The led on the motor button (on the hood controls) will flash once every 2 seconds.
	+	Increases the speed of the Motor.	-
	-	Decreases the speed of the Motor.	-

CARE AND CLEANING

Grease filter

The filter must be cleaned every 2 months of operation, or more frequently for particularly heavy usage, and can be washed in a dishwasher.



CLEANING METAL SELF- SUPPORTING GREASE FILTER

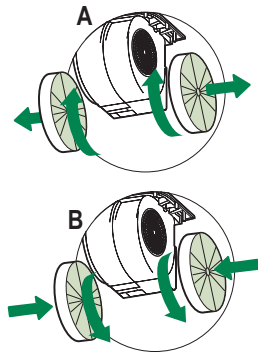
- Open the lighting unit by pulling on the noth.
- Remove the filter one by one pushing it towards the back side of the hood unit and simultaneously pulling downwards.
- Any kind of bending of the filter has to be avoided when washing it. Before fitting it again into the hood make sure that it is completely dry.
- When fitting the filter into the hood pay attention that they are mounted in correct position the handle facing outwards.
- Replace the lighting unit.

Activated Charcoal Filter (Recirculation Version)

This cannot be washed or regenerated, and must be changed approximately once every 4 months, or more frequently in the case of particularly intensive use.

CHANGING

- Open the light unit.
- Remove grease filter.
- Remove the saturated Activated Charcoal Filters, as indicated (A).
- Fit the new Filters, as indicated (B).
- Fit the anti-grease filter and the Light Unit back into position.

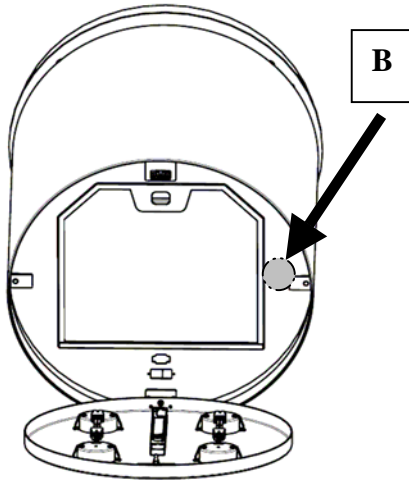


Lighting unit

- For replacement contact technical support ("To purchase contact technical support").

Additional information for the installation technician

- Open the lighting unit by pulling on the notch provided.



Procedure to be used in case of malfunction on the movement

- Check that the fuse is properly inserted and that it has not burned out, for replacing the fuse open the lighting unit and unscrew the fuser holder and replace it with one having the same characteristics (Rif. **B**)
- Check that the hood canopy is fitted level (the use of a spirit level is recommended).
- Check that the four cables are all at the same tension. **The front left cable must not be slacker than the others.**

If even these operations do not solve the problem contact the Technical Assistance.

TURVALLISUUSTIETOJA

i Lue tämä käyttöopas huolellisesti ennen laitteen asentamista ja käyttöä oman turvallisuutesi ja laitteen oikean toiminnan takaamiseksi. Pidä nämä ohjeet aina laitteen lähettyvillä, niiden täytyy seurata laitetta myös, jos se myydään tai luovutetaan kolmansille osapuolille. On tärkeää, että käyttäjät tuntevat laitteen toiminta- ja turvallisuusominaisuudet.

⚠ Johtojen liitännän saa tehdä vain pätevä teknikko.

- Valmistaja ei vastaa väärästä asennuksesta tai käytöstä aiheutuneista vahingoista.
- Pienin turvallinen etäisyys keittotason ja liesituulettimen välillä on 650 mm (jotkut mallit voidaan asentaa alemmas, katso työ- ja asennusmittoja koskevaa kappaletta).
- Jos kaasukäyttöisen keittotason asennusohjeet määräävät, että etäisyyden on oltava yllä mainittua suurempi, ohjeita on noudatettava.
- Tarkista, että sähköverkon jännite vastaa liesituulettimen sisällä olevan arvokilven tietoja.
- Erotuskytkimet on asennettava kiinteään järjestelmään kaapelointijärjestelmiä koskevien määräysten mukaisesti.
- Luokan I laitteita varten on tarkistettava, että kodin sähköverkossa on sopiva maadoitus.
- Liitä liesituuletin savuhormiin putkella, jonka läpimitta on vähintään 120 mm. Savun poistoreitin on oltava mahdollisimman lyhyt.
- Kaikkia ilman poistoa koskevia määräyksiä on noudatettava.
- Älä liitä liesituuletinta savukanaviin, joiden kautta poistetaan palamishöyryjä (esimerkiksi lämmityskattilat, takat jne.).

- Jos liesituuletinta käytetään yhdessä muiden kuin sähkölaitteiden (esimerkiksi kaasulaitteiden) kanssa, on pystyttävä takaamaan riittävä huoneen tuuletus poistokaasujen paluuvirtauksen estämiseksi. Kun liesituuletinta käytetään yhdessä muiden kuin sähkölaitteiden kanssa, huoneen negatiivinen paine ei saa ylittää 0,04 mbar, jotta liesituuletin ei palauta höyryjä huoneeseen.
- Ilmaa ei saa poistaa sellaisen putken kautta, jota käytetään kaasulla tai muilla polttoaineilla toimivien laitteiden savun imemiseen.
- Jos virtajohto vahingoittuu, sen saa vaihtaa vain valmistaja tai huoltopalvelun teknikko.
- Kytke pistoke voimassa olevien määräysten mukaiseen ja saavutettavissa olevaan pistorasiaan.
- Savunpoistoa koskevien teknisten ja turvallisuuteen liittyvien toimenpiteiden suhteen on noudatettava tarkkaan paikallisten viranomaisten antamia määräyksiä.


⚠ VAROITUS: Poista suojakalvot ennen liesituulettimen asentamista.

- Käytä vain liesituulettimelle sopivia ruuveja ja kiinnitysosia.


⚠ VAROITUS: Jos ruuveja ja kiinnitysosia ei asenneta näiden ohjeiden mukaisesti, voi aiheutua sähköiskuvaara.

- Älä katso suoraan optisilla välineillä (kiikari, suurennuslasi...).
- Älä liekitä liesituulettimen alla: se voi aiheuttaa tulipalon.
- Yli 8-vuotiaat lapset ja psyykkisesti, fyysisesti tai sensorisesti rajoitteiset henkilöt tai kokemattomat ja taitamattomat henkilöt saavat käyttää tätä laitetta vain, jos heitä valvotaan ja heille on annettu tiedot laitteen turvallisesta käytöstä ja siihen liittyvistä vaaroista. Varmista, etteivät lapset pääse leikkimään laitteella. Lapset eivät saa tehdä käyttäjän puhdistus- ja huoltotoimenpiteitä ilman valvontaa.
- Valvo lapsia ja varmista, etteivät he pääse leikkimään laitteella.

- Tätä laitetta eivät saa käyttää henkilöt (lapset mukaan lukien), joiden mielen, ruumiin tai aistien terveys on heikentynyt tai joilla ei ole riittävää kokemusta ja tietoa, ellei heitä valvota tai ole valmennettu.

 Kosketettavissa olevat osat voivat tulla hyvin kuumiksi keittolaitteiden käytön aikana.

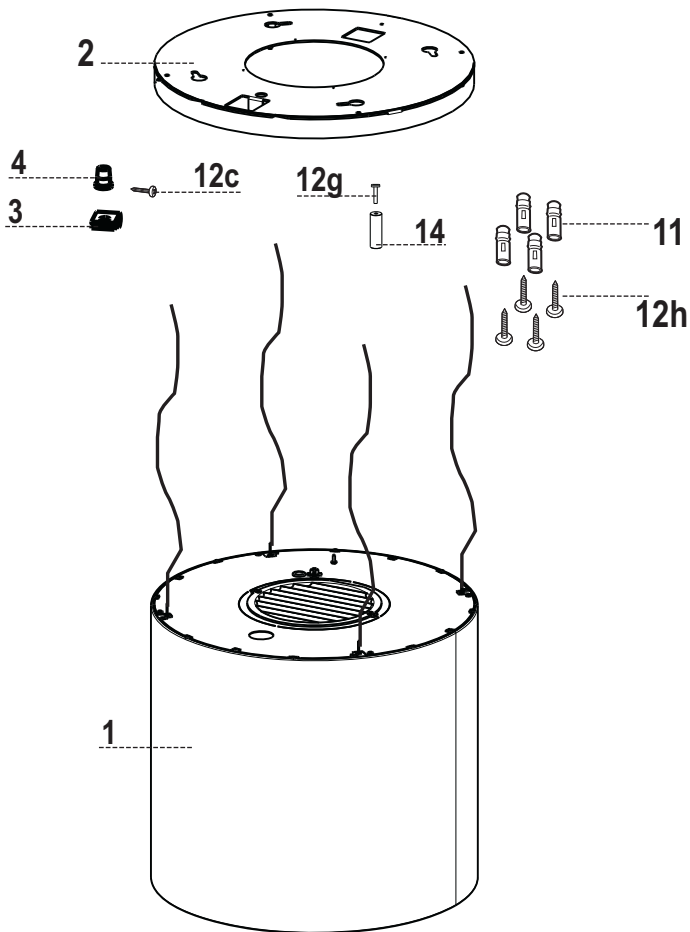
- Puhdista ja/tai vaihda suodattimet määrätyn ajan kuluttua (tulipalovaara). Katso kappaletta Huolto ja puhdistus.
- Tilassa täytyy olla asianmukainen tuuletus kun liesituuletinta käytetään samanaikaisesti kaasulla tai muilla polttoaineilla toimivien laitteiden kanssa (ei koske laitteita, jotka poistavat tilaan vain ilmaa).

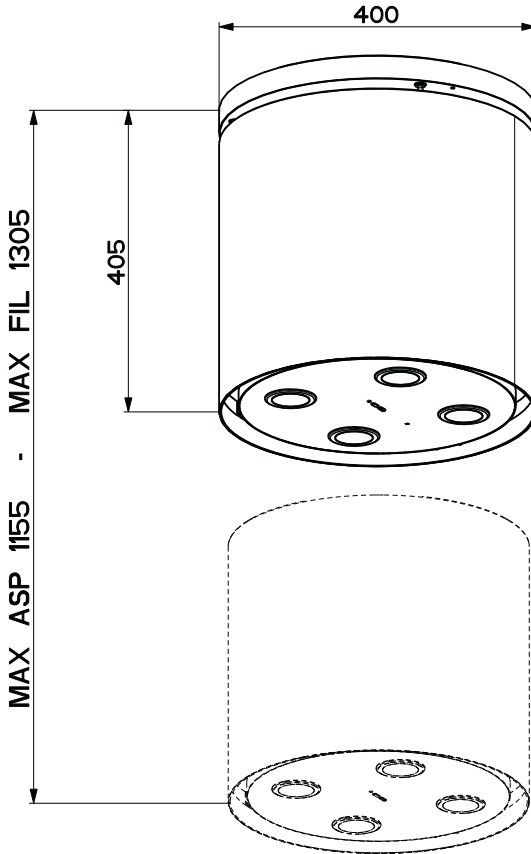
- Merkki  tuotteessa tai sen pakkauksessa osoittaa, että tuotetta ei saa hävittää tavallisen kotitalousjätteen mukana. Tuote täytyy toimittaa asianmukaiseen sähköisten ja elektronisten osien keräyskeskukseen. Varmistamalla, että tuote hävitetään oikealla tavalla, on mahdollista auttaa välttämään ympäristöä ja henkilöiden terveyttä uhkaavia haittavaikutuksia, joita voi syntyä vääränlaisesta hävittämisestä. Lisätietoja tuotteen kierrättämisestä saat paikallisilta viranomaisilta, paikallisesta jätehuollosta tai liikkeestä, josta tuote on ostettu.

MITAT JA OSAT

Osat

Viite	Lkm	Tuotteen osat
1	1	Liesituulettimen runko, johon kuuluu: Kytkimet, valo, suodattimet, moottori.
2	1	Liesituulettimen tukilevy.
3	1	Virtajohdon kiinnitin
4	1	Läpivientisuojaus
14	1	Rajapysäytin
Viite	Lkm	Asennuksen osat
11	4	Ruuvitulpat \varnothing 10
12h	4	Ruuvit M5 x 70
12c	1	Ruuvit 2,9 x 9,5
12g	1	Pysäyttimen ruuvi
Lkm	Asiakirjat	
1	Käyttöohjeet	





ASENNUS

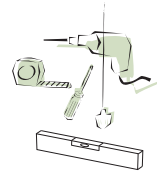
Tämä liesituuletin on valmis asennettavaksi kattoon/hyllyyn keittotason yläpuolelle (vähintään 650 mm) se avilla tavoilla:

- **Imuversio:** Poisto ulos.
- **Suodatusversio:** Sisäinen kierto.

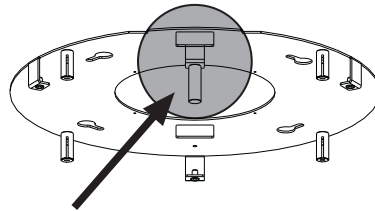
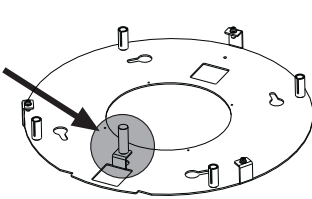
Huomio: F-Light on järjestelmä, johon kuuluu sekä liesituuletin että lamppu ja se vaatii kaksi erillistä sähkökaapelointia, yhden liesituuletinta ja toisen lampun varten.
Malliin Zoom ei kuulu lampun.

Asennustoimenpiteet

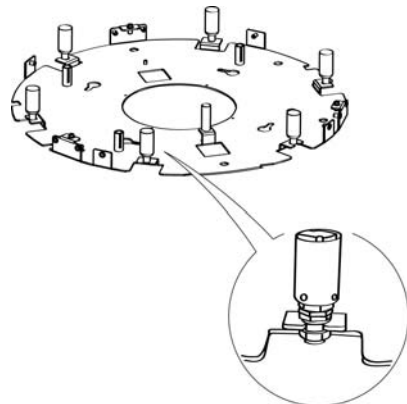
- Asennuksen valmistelu
- Katon/hyllyn poraaminen ja tukilevyn kiinnittäminen
- Liitännät
- Liesituulettimen rungon kokoaminen
- Toiminnan tarkistus
- Pakkausten hävittäminen

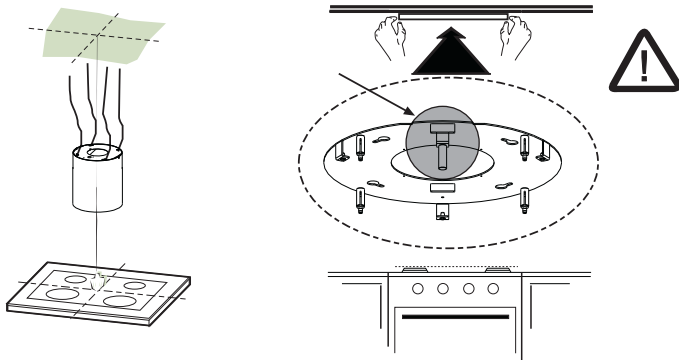


Rajapysäyttimen asennus



- Ruuvaa toimitetulla avaimella auki kolme ruuvia, jotka liittävät levyn osat (eri muotoja ja/tai kokoja).
- Ota pysäytin ja kiinnitä se levyn tukiosaan toimitetulla ruuvilla kuvassa näkyvään kohtaan.
- Jos laitteeseen kuuluu lamppu, ota lampunpitimet ja kiinnitä ne niiden tukiin, jotka tunnistetaan niiden pään muodosta.
Huomio: Johtojen kiinnityssiteitä ei saa leikata.
- Kiristä lampunpitimien kiinnitysruuvi tukeen niin että se jää kahden aluslaatan väliin.
- Malliin Zoom ei kuulu lampun.





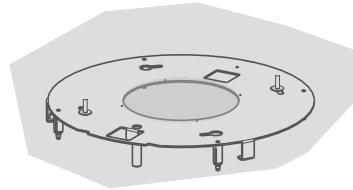
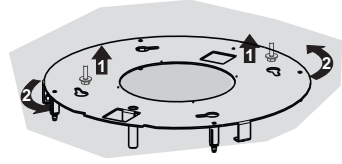
Katon/hyllyn poraaminen ja levyn kiinnittäminen

KATON/HYLLYN PORAAMINEN

- Merkitse kattoon/tukihyllyyn luotilangan avulla keittotason keskipiste.
- Aseta levy kattoon/hyllyyn, varmistaen että juuri asennettu rajapysäytin tulee asentajan ja keittotason suhteen etupuolelle (rajapysäytintä ei saa sekoittaa muihin neljään liesituulettimen liikkeen teräsvaijerin kiinnittimeen).
- Merkitse levyn reikien keskipisteet.
- Poraava seuraavat kohdat:
 - Kokobetonikatto: käytettyjen betoniruuvitulppien mukaan.
 - Ontelotiilikatto, kestävä paksuus 20 mm: poraa reiät \varnothing 10 mm (laita heti paikoilleen toimitetut tulpat **11**).
 - Puupalkkikatto: käytettyjen puuruuvien mukaan (ei toimitettu).
 - Puuhylly, kestävä paksuus 15 mm: poraa reiät \varnothing 7 mm.
 - Virtajohdon kulkuaukko: poraa reikä \varnothing 10 mm.
- **(Huomio:** Jos kyseessä on lampulla varustettu liesituuletin, liesituulettimen syöttöä varten on suora linja ja toinen, katkaisijalla varustettu linja on lamppua varten).
- Ilman ulostulo (Imuversio): ulkopuolisen poistoputken liitoksen läpimitan mukaan.
- Ruuvaa kiinni vuorotellen 4-5 mm:n etäisyydelle katosta kaksi ruuvia:
 - kokobetonian varten betoniruuvitulpat, ei toimitettu.
 - ontelotiiliä varten, kestävä paksuus noin 20 mm, toimitetut ruuvit **12h**.
 - puupalkkikattoa varten puuruuvit, ei toimitettu.
 - puuhyllyä varten ruuvit ja aluslaatat sekä mutterit, ei toimitettu.

LEVYN KIINNITTÄMINEN

- Nosta kiinnityslevyä varmistaen, että rajapysäytin tulee etupuolelle.
- Aseta reiät kahden kattoon asetetun ruuvin kohdalle ja käännä säätöreiän keskikohtaan saakka.
- Kiristä kaksi ruuvia ja ruuvaa kiinni toiset kaksi toimitettua ruuvia. Ennen ruuvien lopullista kiristämistä on mahdollista tehdä säätöjä kääntämällä osaa. Varo, etteivät ruuvit irtoa säätöaukosta.
- Kiinnitys täytyy tehdä tukevasti sekä liesituulettimen painon että asennettuun laitteeseen mahdollisesti kohdistuvien sivukuormitusten mukaan. Kun kiinnitys on tehty, varmista että levy on vakaa.
- Mikäli katto ei ole kiinnityskohdassa riittävän tukeva, asentajan täytyy vahvistaa sitä laatoilla ja vastalaatoilla, jotka kiinnitetään rakenteellisesti lujiin osiin.

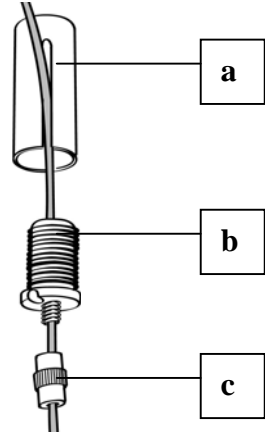


LIESITUULETTIMEN JA LEVYN KAAPELIEN LIITÄNTÄ

HUOMAA: Ennen asentamista liesituuletin täytyy sijoittaa ainakin 650 mm keittotason yläpuolelle tuen tai apuhenkilön avulla.

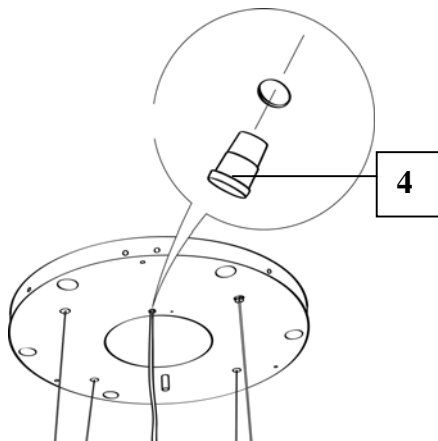
⚠ Se on hyvin tärkeää, koska liesituulettimen kaapelit on ehdottomasti liitettävä kattoon asennettuun levyyn ilman että liesituulettimen paino kuormittaa rakennetta.

- Neljän kaapelin kiinnitysjärjestelmässä on kolme osaa:
 - Kierteitetty pysäytin (a) jo asennettuna katossa olevaan levyyn.
 - Toimitettu kaapelin kiinnitysruuvi (b).
 - Toimitettu turvanuppi (c).

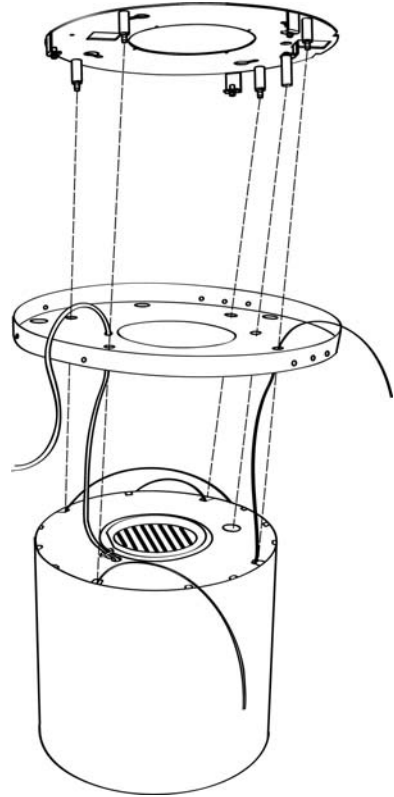
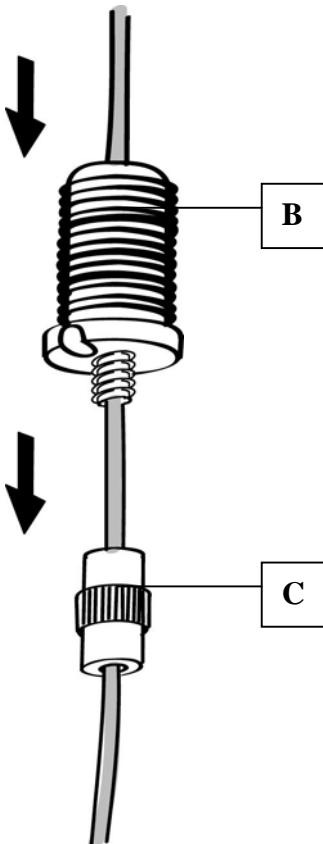


- Vie neljä kaapelia (kiinni liesituulettimen rungossa) aikaisemmin avatun levyn kannen vastaaviin reikiin.

- Aseta paikalleen läpivientisuojaus 4 levyn kannen reikään ja vie liesituulettimen kaapeli sen läpi.

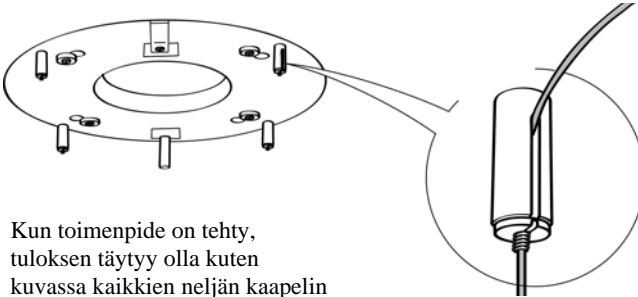


- Huomioi kattoon kiinnitetyn levyn suunta (levyn rajapysäyttimellä on vastaava reikä levyn kannessa ja liesituulettimen rungossa).

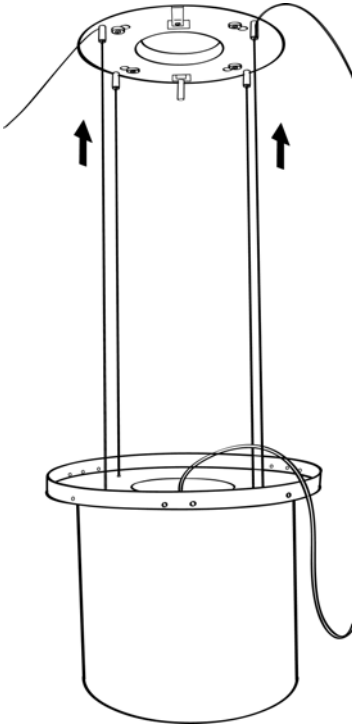


- Työnnä turvanupit (c) vastaaviin kaapeleihin kierteitys ylöspäin.
- Työnnä kiinnitysruuvit (b) vastaaviin kaapeleihin.

- Vie kaapelit kierteittyjen pysäyttimien aukkoihin (a) ja ruuvaa kiinnitysruuvit (b) pysäyttimiin.



- Kun toimenpide on tehty, tuloksen täytyy olla kuten kuvassa kaikkien neljän kaapelin suhteen.

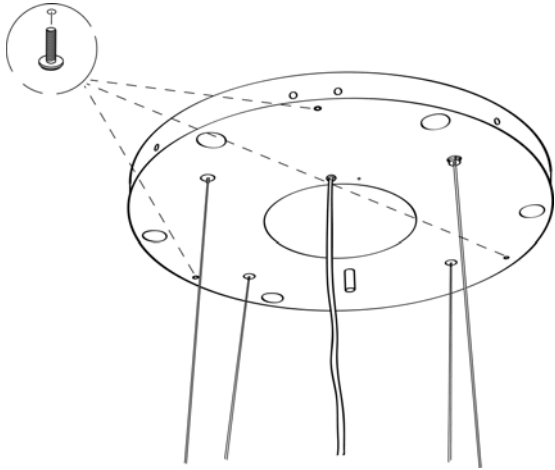


- Nyt kaikki neljä kaapelia on liitetty levyyn.

Kiristä kaapelit työntämällä niitä ylös niin että ne kulkevat kiinnitysruuvin kautta ja tulevat ulos kierteitetystä pysäyttimestä. Se on mahdollista koska kiinnitysruuvissa on järjestelmä, joka sallii kaapelin liikkumisen sen sisällä vain yhteen suuntaan ja pysäyttää liikkeen toiseen suuntaan.

Varmista lopullisen tasapainottamisen helpottamiseksi, että kaikkien kaapelien pituus on sama. Edessä vasemmalla oleva kaapeli ei saa olla muita löysemällä.

- Nyt liesituuletin ja mahdollinen lamppu voidaan liittää sähköverkkoon niiden virtajohdoilla.



- Sulje levyn kansi kolmella irrottamalla ruuvilla ja toimitetulla avaimella.
- Nyt liesituuletin on kiinnitetty.

Liitännät

IMUVERSION ILMAN ULOSTULO

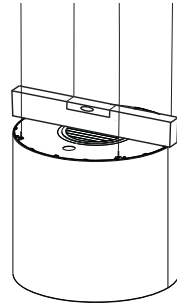
Liesituulettimen asentamiseksi imuversiossa katso liesituulettimen imuversiosarjan ohjeita.

SUODATUSVERSION ILMAN ULOSTULO

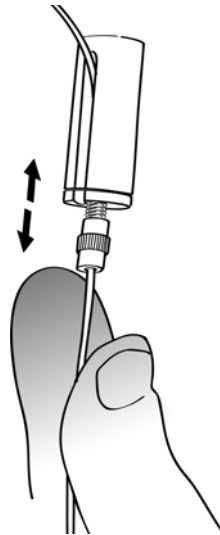
- Avaa valaistusryhmä vetämällä lovesta.
- Poista rasvasuodatin.
- Varmista, että aktiivihiilihajusuodattimet ovat paikoillaan.

LIESITUULETTIMEN TASAPAINOTTAMINEN

- Liesituulettimen liikkuva osa täytyy tasapainottaa, jotta liike sujuu moitteettomasti.
 - Liesituuletin tasapainotetaan turvanuppien avulla.
-
- Aseta liesituulettimelle vesivaaka.



- Paina turvanuppeja ylöspäin kaapelin liikkeen vapauttamiseksi. Liesituulettimen liikkuva osa voidaan tasapainottaa työntämällä tai vetämällä kaapelia kiinnitysruuvissa.
- Kun liesituuletin on tasapainotettu oikein turvanupit voidaan kiristää.

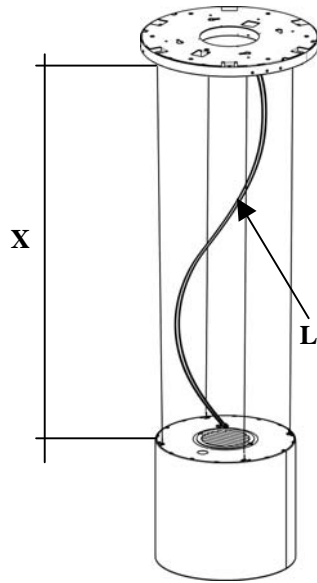
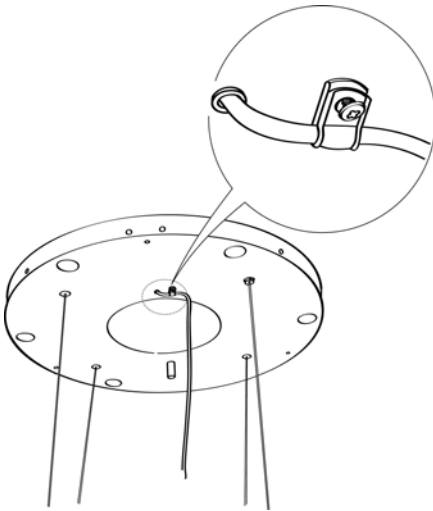


Huomio:

- Varmista, että kaikki neljä tukikaapelia ovat kireällä.
- Varmista, ettei mikään neljästä tukikaapelista ole vahingoittunut asennuksen aikana.
- On muistettava, että minimietäisyys liesituulettimen ja keittotason välillä on 650 mm.
- Liikkuvan osan (liesituulettimen rungon) liikkeen tulee olla enintään 900 mm suodatuskokoanpanossa ja 750 mm imusarjan kanssa.

VIRTAJOHDON KIINNITTÄMINEN

- Kierrä virtajohtoa akselinsa ympäri niin että se kulkee liikkuvasta osasta kattoon kierteellä.
- Tämä toimenpide on tärkeä, jotta vältetään johdon tuleminen ulos liesituulettimen rungosta kun liesituuletin suljetaan.



- Ota toimitettu kiinnitin **3**.
- Työnnä virtajohto kiinnittimeen **3** ja ruuvaa se kiinni levyyn toimitetulla ruuvilla **12c**.

Varmista lopuksi, että virtajohto on kiinnitetty oikein. Tarkista, että kun liikkuva osa nousee kattoon päin, se sijoittuu liikkuvan osan päälle eikä tule ulos liesituulettimesta.

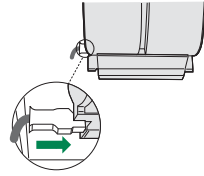
Virtajohtoon **L** pituuden tulee olla liikkeen mitta **X** plus 50 mm suodatusversiossa ja 200 mm imuversiossa.

L = X + 50 mm Suodatusversio

L = X + 200 mm Imuversio

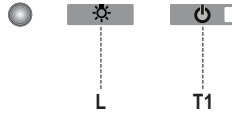
Sähköliitäntä

- Liitä liesituuletin sähköverkkoon asentamalla kaksinapainen kytkin, jonka koskettimien väli on vähintään 3 mm.
- Avaa valaistusryhmä vetämällä lovesta.
- Poista suodatin työntämällä sitä ryhmän takaosaan päin ja vetämällä se alas.
- Varmista, että virtajohdon liitin on oikein kiinnitetty imurin pistorasiaan.
- Aseta rasvasuodatin takaisin paikalleen ja sulje valaistusryhmä.



KÄYTTÖ

Käyttöpaneeli



Painike	Toiminto	Näyttö
L	Sytyttää/Sammuttaa valot.	-
T1	Liesituuletin alhaalla Painettaessa 2 sekunnin ajan nostaa liesituulettimen Lyhyt painallus käynnistää/sammuttaa moottorin.	Palaa/ei pala
	Liesituuletin ylhäällä Ensimmäinen painallus: Liesituuletin laskeutuu. Toinen painallus: Liesituulettimen pysäytys. Kun liike on päättynyt moottori käynnistyy toisella nopeudella.	Ei pala/ei pala

Huomio: Liesituulettimen kytkimet ohjaavat vain liesituulettimen toimintoja, valon syöttö ja kytkentä ovat liesituulettimesta riippumattomat.

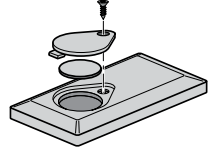
Laitteen elektroniikka tunnistaa toimintahäiriöiden tyypit ja tekee vastaavan ilmoituksen.

Merkkivalo T1	
Hidas vilkutus	Virran ottotehon kynnyksen ylitys: Ylikuormituksen sattuessa häiriön ilmaisee näppäimistön merkkivalon T1 vilkkuminen 2 sekunnin välein. Tarkista, ettei liesituulettimen liikkeelle ole esteitä. Tämä ilmoitus pysyy aktiivisena liesituulettimen seuraavaan avaamis-/sulkemiskomentoon saakka.
Nopea vilkutus	Turvamikron laukeaminen avausvaiheessa: Turvamikron lauettua häiriön osoittaa merkkivalon T1 nopea vilkkuminen (joka 250 ms), mikä tarkoittaa, että liesituulettimen raja on ylitetty..... Ota yhteys huoltopalveluun! Tämän häiriön aikana on mahdollista käyttää liesituuletinta (valot ja moottori) ja kun moottori on toiminnassa merkkivalo T1 jatkaa vilkkumista osoittaen, että häiriötä ei ole vielä korjattu.

KAUKO-OHJAIN

Tätä laitetta voidaan ohjata kauko-ohjaimella, joka toimii 3 V paristolla, tyyppi CR2032 (ei kuulu toimitukseen).

- Älä laita kauko-ohjainta lämmönlähteiden lähelle.
- Älä jätä paristoja luontoon vaan laita ne asianmukaisesti keräysastioihin.



Käyttöpaneeli



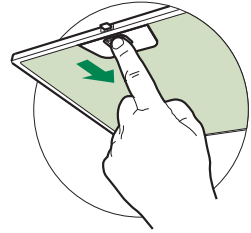
⏻	⏻	Käynnistää/sammuttaa moottorin.	-
	↕	Liesituuletin kiinni: - Painettaessa painiketta lyhyesti liesituuletin alkaa laskeutua - Seuraavalla painalluksella se pysähtyy. Kun liike on päättynyt moottori käynnistyy toisella nopeudella. Liesituuletin auki: - Painettaessa 2 sekunnin ajan aktivoi nousuliikkeen, joka pysähtyy liikerajalla. - Painettaessa (lyhyesti) liike pysähtyy (ennen rajakatkaisinta). - Vielä lyhyt painallus käynnistää/sammuttaa moottorin. - Painettaessa 2 sekunnin ajan aktivoi nousuliikkeen. - Jos moottori on toiminnassa, se ensin sammuttaa moottorin ja aloittaa sitten liikkeen.	-
	🔊	-	-
☀️		Käynnistää/sammuttaa moottorin.	-
🌀	🔊	TEHONOPEUS - Aktivoitavissa vain liesituulettimen ollessa alhaalla, kun toiminnot ajastus tai 24h eivät ole käytössä. - Aktivoi tehonopeuden mistä tahansa nopeudesta. Kytetään pois toiminnasta painamalla uudelleen samaa painiketta tai sammuttamalla moottori. - Tehonopeus on asetettu 6 minuutin ajaksi. 6 minuutin kuluttua järjestelmä palaa automaattisesti aikaisemmin valittuna olleelle nopeudelle.	Moottorin painikkeen merkkivalo (liesituulettimen kytkinpaneelissa) vilkkuu 1 kerran sekunnissa.
⏻	⏻	Lyhyt painallus käynnistää ajastustoiminnon: Aktivoitavissa vain kun toiminnot tehonopeus tai 24h eivät ole käytössä. Ottaa käyttöön ja poistaa käytöstä liesituulettimen pysäytystavan (moottori+valot) 30 minuutin kuluttua: Ajastustoiminnon voi poistaa käytöstä painamalla uudelleen samaa painiketta tai sammuttamalla moottorin.	Moottorin painikkeen merkkivalo (liesituulettimen kytkinpaneelissa) vilkkuu 0,5 sekunnin välein.
	⏻	Pidettäessä painettuna 2 sekuntia käynnistää toiminnon 24H: Aktivoitavissa vain kun toiminnot tehonopeus tai ajastus eivät ole käytössä. Ottaa käyttöön ja poistaa käytöstä toiminnon 24 10 minuutiksi joka tunti 24 tunnin ajan. Ajan päättyessä se poistuu käytöstä.	Moottorin painikkeen merkkivalo (liesituulettimen kytkinpaneelissa) vilkkuu 2 sekunnin välein.
+		Lisää moottorin nopeutta.	-
-		Alentaa moottorin nopeutta.	-

PUHDISTUS JA HUOLTO

Rasvasuodattimet

ITSEKANNATTAVIEN METALLISTEN RASVASUODATTIMIEN PUHDISTUS

- Voidaan pestä myös astianpesukoneessa. Pesu on tarpeen noin 2 kuukauden käytön jälkeen tai useammin, jos laitetta käytetään paljon.
- Avaa valaistusryhmä vetämällä kiinnikettä.
- Irrota suodattimet yksi kerrallaan työntämällä niitä taaksepäin ja vetämällä samalla alaspäin.
- Pese suodattimet. Vältä niiden taivuttamista. Anna suodattimien kuivua ennen niiden paikalleen asettamista.
- Asenna ne paikalleen ja pidä kahva näkyvässä ulkopuolella.
- Sulje valaistusryhmä.

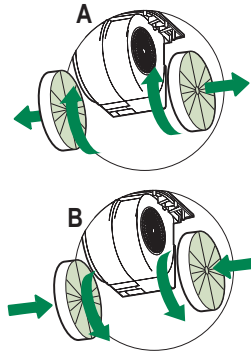


Aktiivihiihisuodatin (Suodatinversio)

Suodattimia ei voi pestä eikä uudistaa, vaan ne täytyy vaihtaa vähintään neljän kuukauden välein tai useammin, mikäli laitetta käytetään paljon

AKTIIVIHIIHISUODATTIMEN VAIHTAMINEN

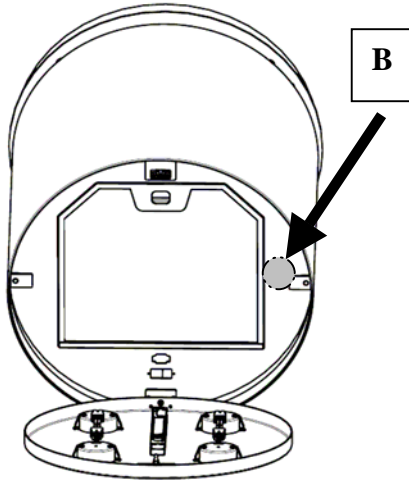
- Avaa valaistusryhmä vetämällä kiinnikettä.
- Irrota metalliset rasvasuodattimet.
- Irrota vanhat aktiivihiihisuodattimet kuten kuvassa (A).
- Asenna uudet suodattimet paikalleen kuten kuvassa (B).
- Laita metalliset rasvasuodattimet paikoilleen.
- Sulje valaistusryhmä.



Valaistus

- Vaihtoa varten ota yhteys huoltopalveluun ("Hankintaa varten ota yhteys huoltopalveluun").

- Avaa valaistusryhmä vetämällä lovesta.



Toimenpiteet liikkeen toimintahäiriön sattuessa

1. Varmista, että sulake on asetettu oikein eikä se ole palanut. Jos se täytyy vaihtaa, avaa valaistusryhmä, ruuvaa auki sulakekotelo ja vaihda sulake uuteen samanlaiseen (Viite **B**).
2. Varmista, että liesituulettimen runko on tasapainossa (on suositeltavaa käyttää vesivaakaa).
3. Varmista, että kaikki neljä kaapelia ovat yhtä kireällä. **Kaapeli edessä vasemmalla ei saa olla muita löysemmällä.**

Jos nämä toimenpiteet eivät ole korjanneet vikaa, ota yhteys huoltopalveluun.

CE