

EAN: 6414150082900

[www.oras.com/en/products/oras/product/7560-15](http://www.oras.com/en/products/oras/product/7560-15)



Thermostatic shower faucet with easy-to-use control handles. Temperature limiter in the handle. Spacious shelf made of safety glass. The faucet is equipped with straight couplings with stop valves, litter filters and non-return valves.

- Shower
- Thermostatic
- Wall mounted
- Chrome/Grey
- safety stop against scalding at 38°C, THERMO COOL - Improved safety: the housing of the fittings conducts minimal heat
- Thermostatic cartridge that reacts quickly and precisely to changes in water temperature
- safety glass

## Technical data

### Flow properties

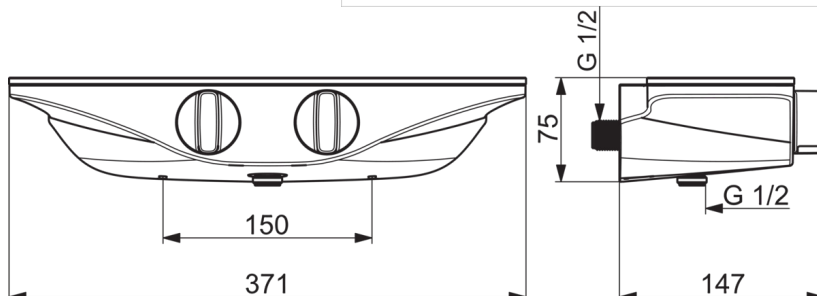
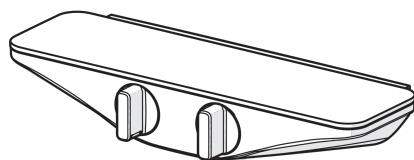
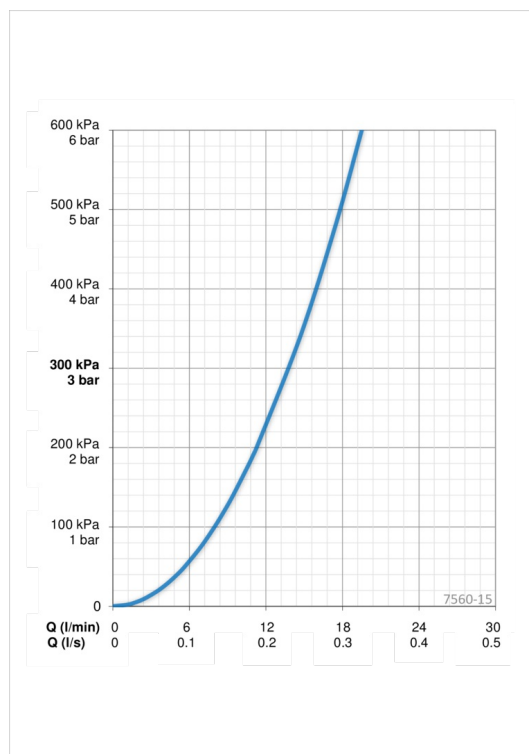
Flow-rate at 300 kPa	<b>0.23 l/s</b>
Pressure loss with flow (0.2 l/s)	<b>230 kPa</b>

### Technical properties

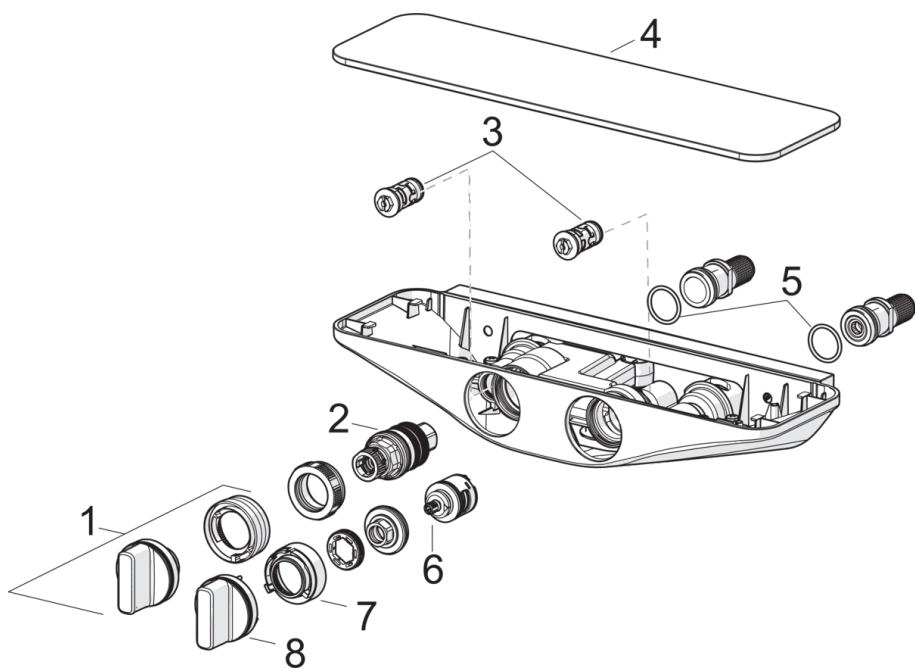
Hot water supply	<b>max. +80°C</b>
Working pressure	<b>100 - 1000 kPa</b>
Connection size	<b>G1/2</b>
Installation width	<b>CC150 mm</b>
Material	<b>Brass</b>

### Regulations

EN standard	<b>EN 1111</b>
Noise class	<b>I (ISO 3822) Oras lab.</b>



## Spare parts



### SP7560U-15

	Code
01	1000791V
02	178780V
03	1004950V
03	602346V
04	1003043V
05	602674V
06	198282V
07	1002451V
08	1000716V