

EAN: 6414150082948

[www.oras.com/en/products/oras/product/7540-15](http://www.oras.com/en/products/oras/product/7540-15)



Thermostatic bath and shower faucet with easy-to-use control handles. Temperature limiter in the handle. Spacious shelf made of safety glass. The faucet is equipped with straight couplings with stop valves, litter filters and non-return valves.

- Bathroom, Shower
- Thermostatic
- Wall mounted
- Chrome/Grey
- integrated diverter with volume control
- safety stop against scalding at 38°C, THERMO COOL - Improved safety: the housing of the fittings conducts minimal heat
- Thermostatic cartridge that reacts quickly and precisely to changes in water temperature
- safety glass

## Technical data

### Flow properties

Flow-rate at 300 kPa **0.28 / 0.23 l/s**

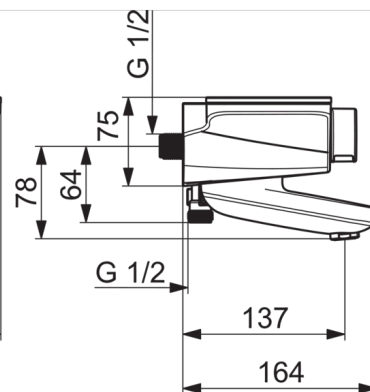
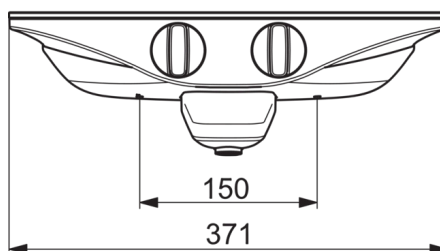
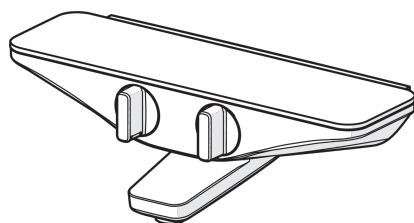
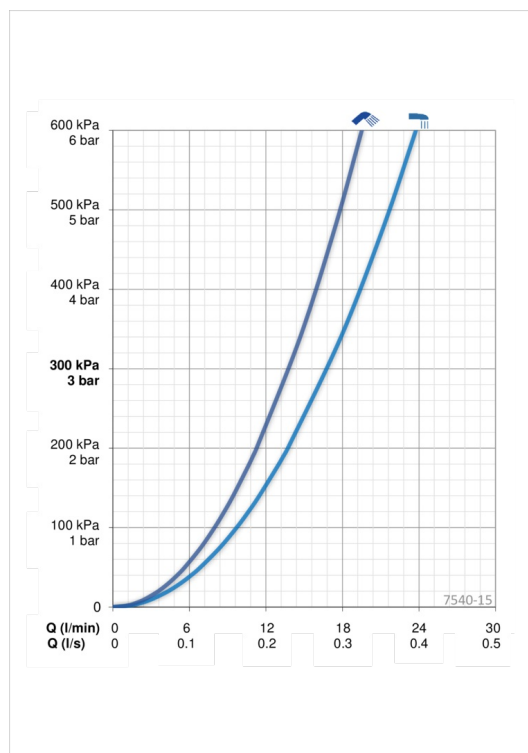
Pressure loss with flow (0.2 l/s) **230 kPa**

### Technical properties

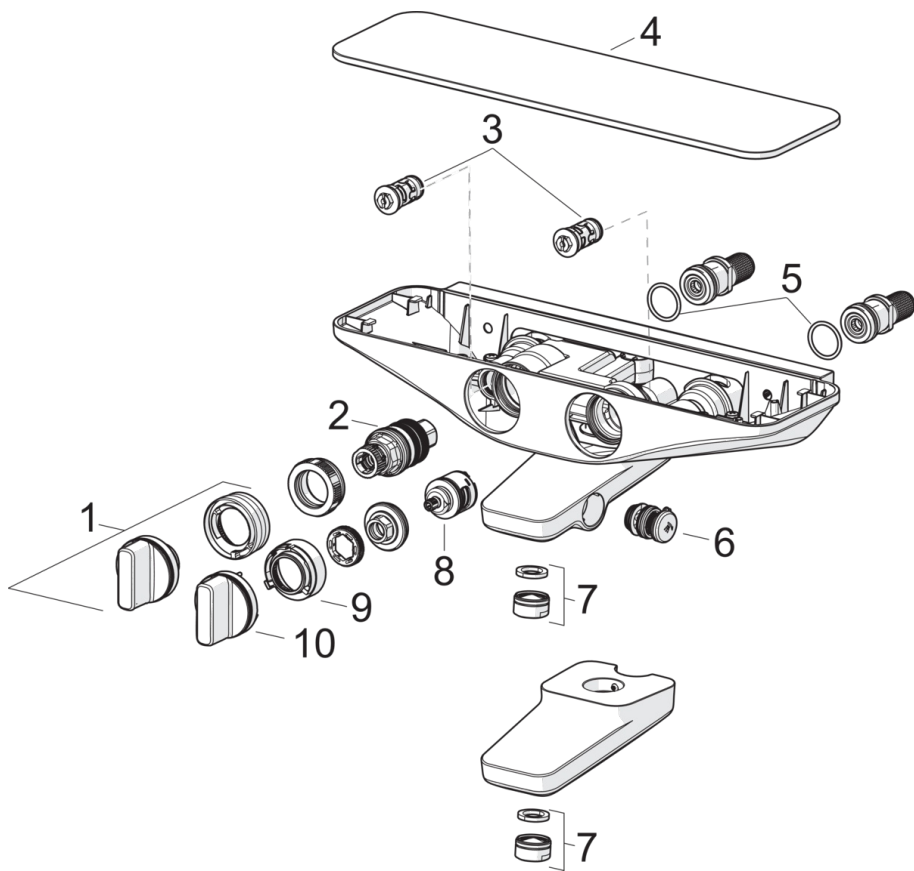
Hot water supply **max. +80°C**  
 Working pressure **100 - 1000 kPa**  
 Connection size **G1/2**  
 Installation width **CC150 mm**  
 Projection **137 mm**  
 Material **Brass**

### Regulations

EN standard **EN 1111**  
 Noise class **I (ISO 3822) Oras lab.**



## Spare parts



### SP7540U-15

	Code
01	1000791V
02	178780V
03	1004950V
03	602346V
04	1003048V
05	602674V
06	1002394V
07	602104V
08	198282V
09	1000699V
10	1000716V