

EAN: 6414150041242

www.oras.com/en/products/oras/product/6568



Touchless urinal flusher with a visible inlet pipe. Battery-operated 6 V. The device is equipped with a litter filter, and has a flusher pipe with a cable gland. The adjustment values can be changed according to the conditions in the place of use with pre-programmed parameters.

- Public & Semi-public, Health & Care
- Battery-operated, Touchless
- Wall mounted
- Chrome
- Litter filter(s)

Technical data

Flow properties

Flow-rate at 300 kPa	0.58 l/s
Pressure loss with flow (0.2 l/s)	40 kPa

Technical properties

Hot water supply	max. +70°C
Working pressure	50 - 1000 kPa
Projection	81 mm
Material	brass

Software settings

Automatic flush	24 h (off / 24h)
Automatic flush period	6 s
Pre-flush period	2 s (OFF / 2 s)

Electronic properties

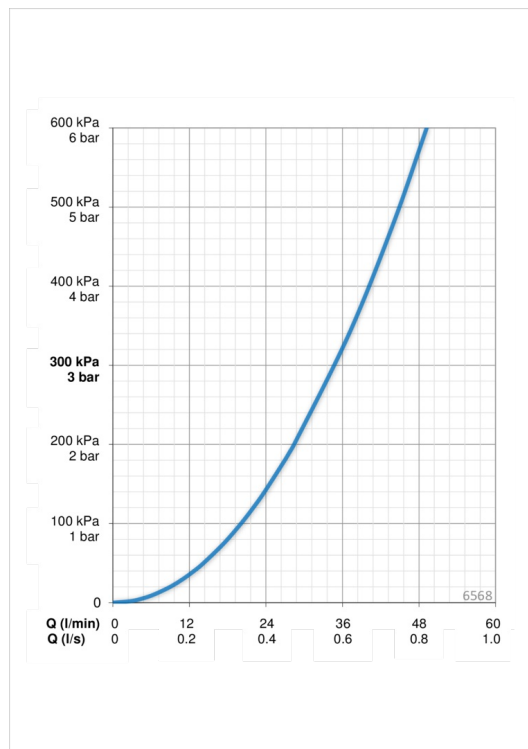
Battery	Lithium 2CR5 6 V
---------	-------------------------

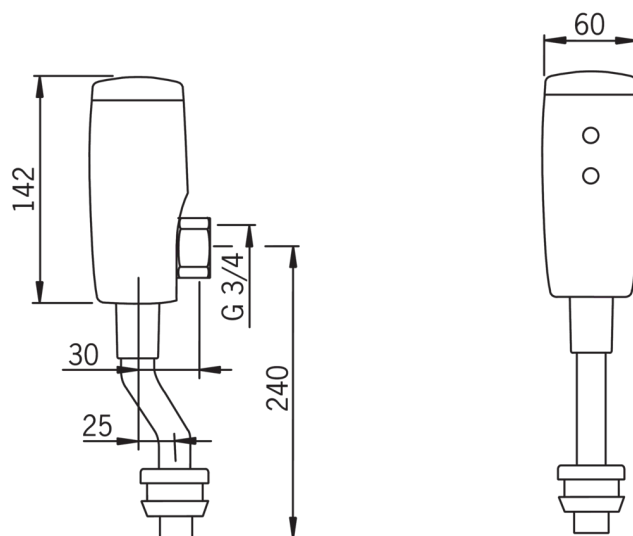
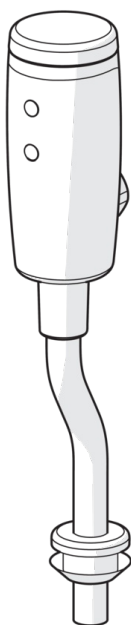
Regulations

EMC Directive	CE 89/336/EEC
EN standard	EN 15091
Protection class	IP 55

Type approvals

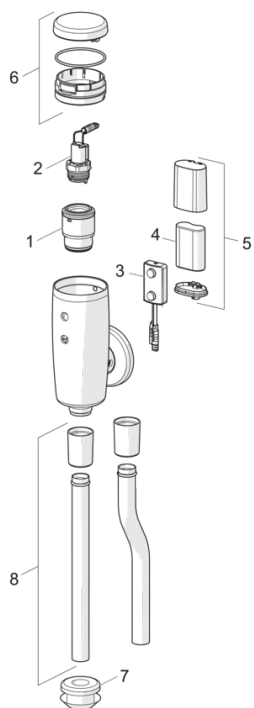
STF certificate	STF VTT-RTH-00104-11
-----------------	-----------------------------





Spare parts

SP6567



	Code
01	199297V
02	199225V
03	199238V
04	198330
05	199438V
06	199229V
07	198534V
08	199441V
08	199228V