

EAN: 6414150060021

www.oras.com/en/products/oras/product/6557C

Cover part for touchless wall-mounted urinal flusher. Battery operated 6 V. Body part (Oras No. 6527A) has to be ordered separately. Parameters are changed through a push button in the sensor.



- Public & Semi-public
- Trim Kit, Battery-operated, Touchless
- Wall mounted for concealed unit
- Chrome

Technical data

Technical properties

Hot water supply	max. +70°C
Working pressure	100 - 1000 kPa

Software settings

Automatic flush	24 h (off / 24h)
Automatic flush period	6 s
Pre-flush period	2 s (OFF / 2 s)

Electronic properties

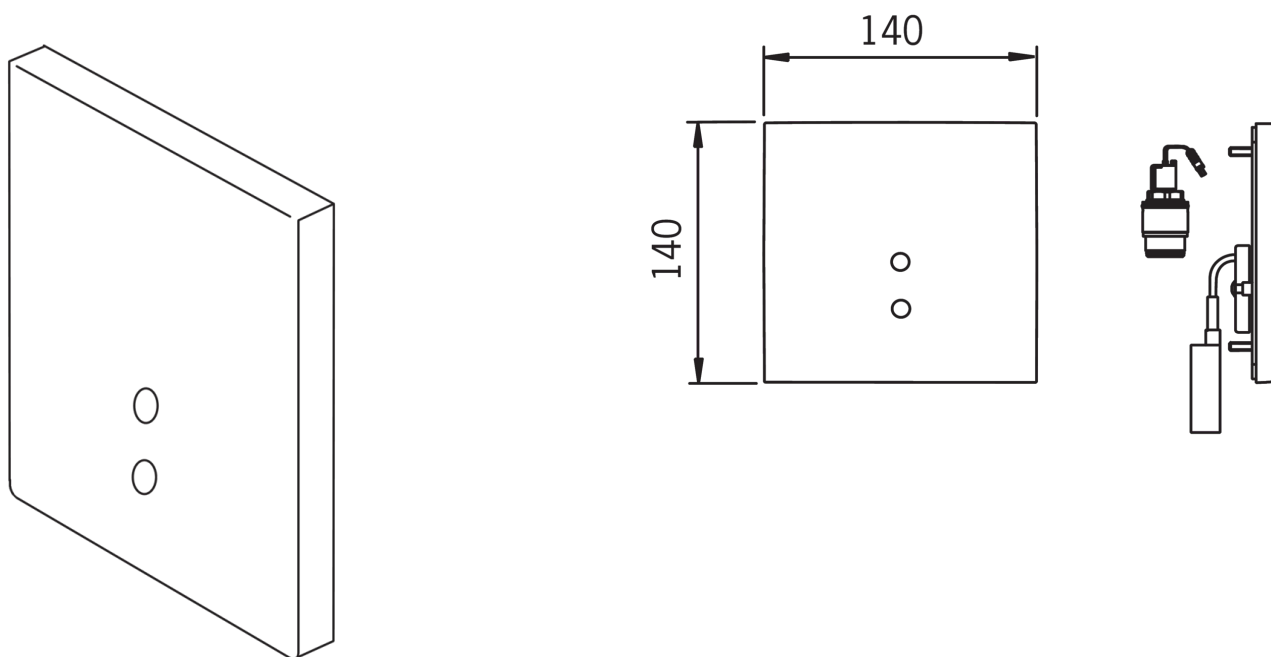
Battery	Lithium 2CR5 6 V
---------	-------------------------

Regulations

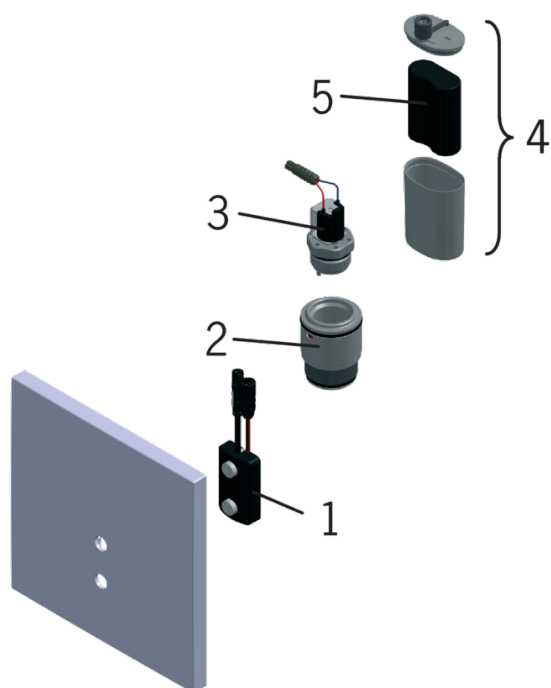
EMC Directive	CE 2004/108/EY
Protection class	IP 55

Type approvals

STF certificate	VTT-RTH-00043-09
-----------------	-------------------------



Spare parts



SP6557C

	Code
01	199238V
02	199297V
03	199225V
04	199438V
05	198330