

EAN: 6414150060038

www.oras.com/en/products/oras/product/6507C



Cover part for touchless wall-mounted urinal flusher. Electrical connection 12 V via a separate power supply (Oras No. 199275). Body part (Oras No. 6527A) has to be ordered separately. Parameters are changed through a push button in the sensor.

- Public & Semi-public
- Touchless, Trim Kit, External transformer
- Wall mounted for concealed unit
- Chrome

Technical data

Technical properties

Hot water supply	max. +70°C
Working pressure	100 - 1000 kPa

Software settings

Automatic flush	24 h (off / 24h)
Automatic flush period	6 s
Pre-flush period	2 s (OFF / 2 s)

Electronic properties

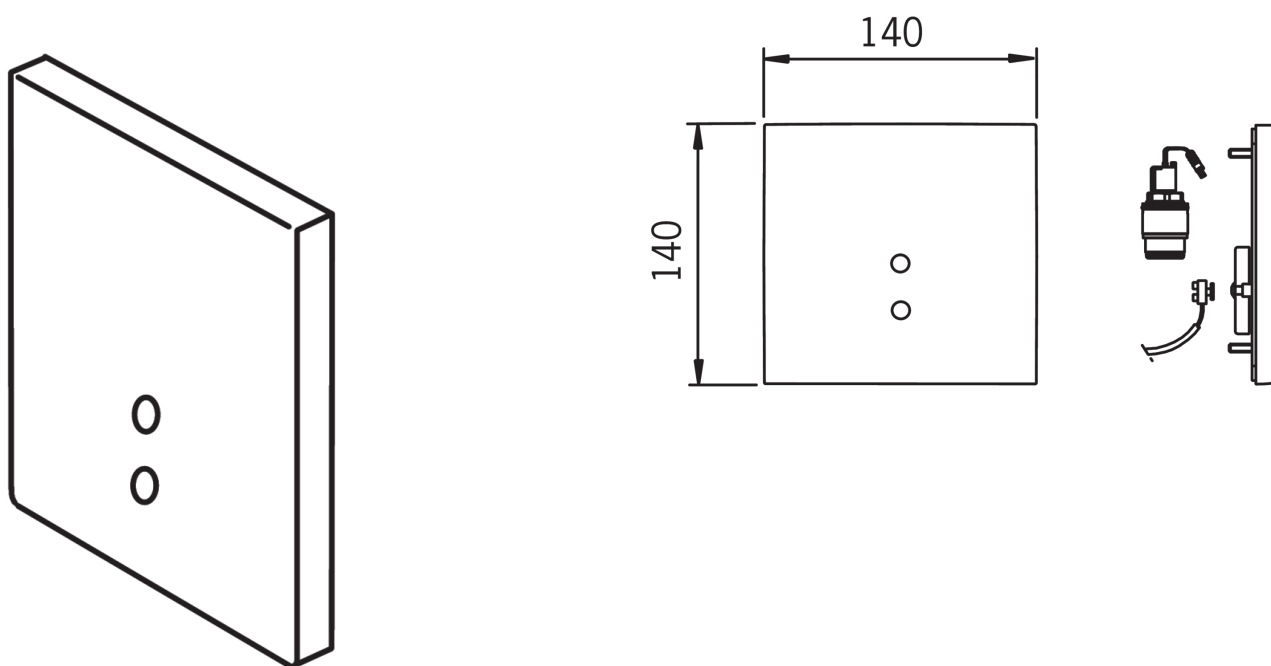
Electrical Connection	12 VDC
-----------------------	---------------

Regulations

EMC Directive	CE 2004/108/EY
Protection class	IP 55

Type approvals

STF certificate	VTT-RTH-00043-09
-----------------	-------------------------



Spare parts

SP6507C

	Code
01	600257V
02	199297V
03	199225V

