

EAN: 6414150065798

www.oras.com/en/products/oras/product/6222F



Touchless washbasin faucet with a temperature adjustment handle (as factory default). The faucet can be easily modified for preset temperature or premixed water. The faucet can be taken out of operation, e.g. for cleaning the basin, by placing a cleaning cover over the sensor. The faucet is equipped with litter filters, non-return valves and flexible pipes. No adjustments need to be made at installation because an advanced Autofocus sensor is used. Flow controller (6 l/min.) enables low water consumption (0.5 l / instance of use).

Electrical connection 12 V via a separate power supply (e.g. Oras No. 199275).

- Public & Semi-public, Health & Care
- Touchless, External transformer
- Deck mounted
- Chrome
- Temperature control handle
- Cold or pre-tempered water
- Non-return valve(s), Litter filter(s)
- Autofocus sensor
- Convertible for cold or premixed-water supply

Technical data

Flow properties

Flow-rate at 300 kPa (with flow controller)	0.1 l/s
Pressure loss with flow (0.1 l/s)	200 kPa

Technical properties

Hot water supply	max. +70°C
Working pressure	100 - 1000 kPa
Connection size	G3/8
Projection	112 mm
Material	brass

Software settings

Max. flow period	2 min
------------------	--------------

Electronic properties

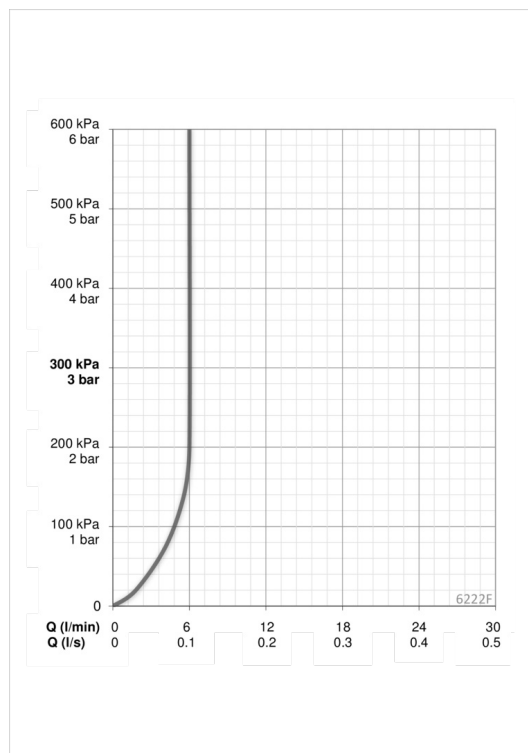
Electrical Connection	12 VDC
-----------------------	---------------

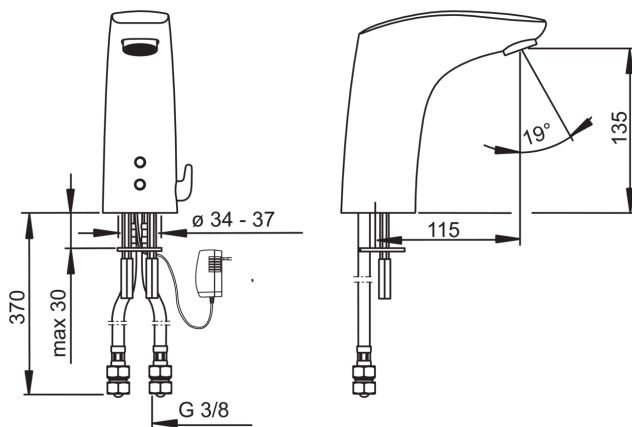
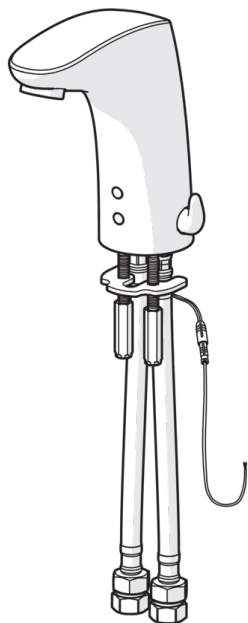
Regulations

EMC Directive	CE 2004/108/EY
EN standard	EN 15091
Noise class	I (ISO 3822)
Protection class	IP 55

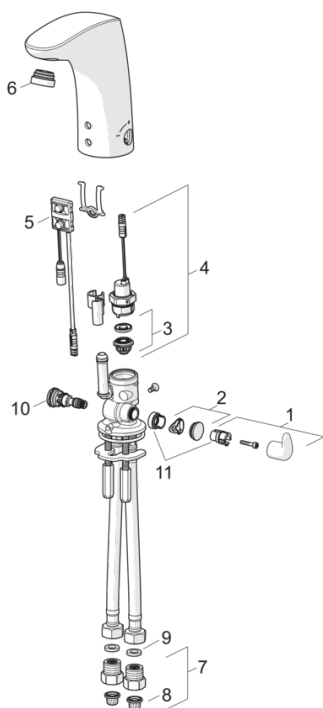
Type approvals

STF certificate	STF VTT-RTH-00031-11
ETA-Danmark	VA 1.42/19924





Spare parts



SP6222F

	Code
01	600581V
02	600749V
03	199205V
04	199206V
05	600082V
06	198692
07	198473/2
08	199257/2
09	600705/10
10	199201V
11	601061V