

EAN: 6414150051203

[www.oras.com/en/products/oras/product/6150F](http://www.oras.com/en/products/oras/product/6150F)



Touchless washbasin faucet with a temperature adjustment handle (as factory default). The faucet can be easily modified for preset temperature or premixed water. Battery-operated 6 V. Thanks to its protection class (IP 67) the faucet is suited to nearly all operating conditions. The faucet is equipped with litter filters, non-return valves and flexible pipes.

No adjustments need to be made at installation because an advanced Autofocus sensor is used. The impulse-controlled solenoid valve gives the battery a long operating life. Flow controller (6 l/min.) enables low water consumption (0.5 l / instance of use).

- Public & Semi-public, Health & Care
- Battery-operated, Touchless
- Deck mounted
- Chrome
- Fixed spout
- PCA® for a constant flow rate regardless of pressure fluctuations
- Temperature control handle
- Cold or pre-tempered water, Temperature adjustment fixable
- Non-return valve(s), Litter filter(s)
- Autofocus sensor, Impulse-controlled solenoid valve
- Vandalism proof construction, Convertible for cold or premixed-water supply

## Technical data

### Flow properties

Flow-rate at 300 kPa (with flow controller)	<b>0.10 l/s</b>
Pressure loss with flow (0.1 l/s)	<b>200 kPa</b>

### Technical properties

Hot water supply	<b>max. +70°C</b>
Working pressure	<b>100 - 1000 kPa</b>
Connection size	<b>G3/8</b>
Projection	<b>96 mm</b>
Material	<b>brass</b>

### Software settings

Afterflow period	<b>2 s ± 1 s</b>
Max. flow period	<b>2 min</b>

### Electronic properties

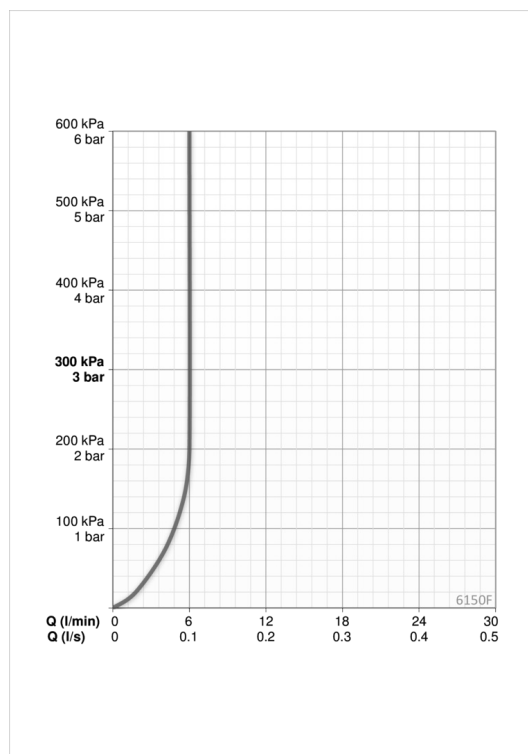
Battery	<b>Lithium 2CR5 6 V</b>
---------	-------------------------

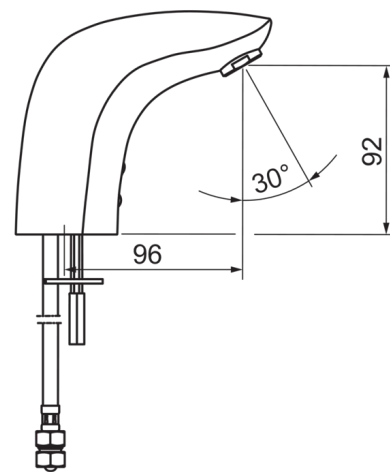
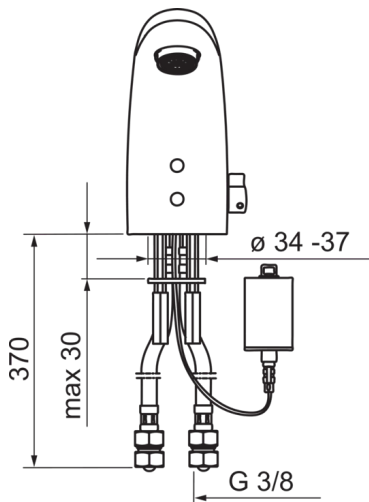
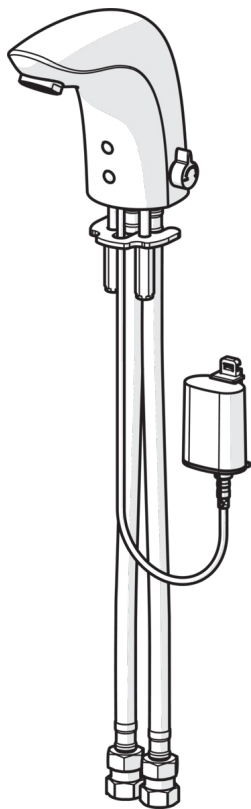
### Regulations

EMC Directive	<b>CE 89/336/EEC</b>
EN standard	<b>EN 15091</b>
Noise class	<b>I (ISO 3822)</b>
Protection class	<b>IP 55</b>

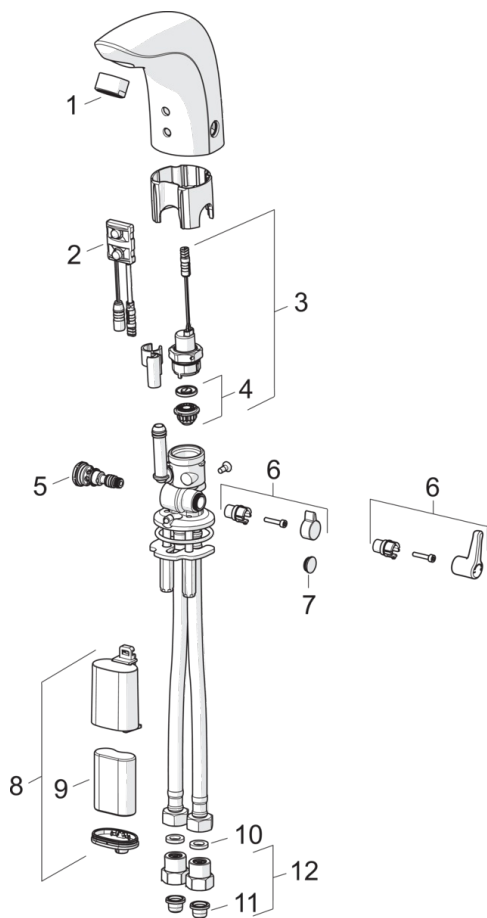
### Type approvals

STF certificate	<b>STF VTT-RTH-00031-11</b>
ETA-Danmark	<b>VA 1.42/18729</b>
Sintef	<b>Sintef Nr. 1534</b>





### Spare parts



### SP6150F

	Code
01	601434V
01	199266V
01	601255V
01	601166V
02	1001424V
02	600659V
02	601030V
03	199206V
04	199205V
05	199201V
06	1005158V
06	199212V
07	199208V
08	199417V
09	198330
10	600705/10
11	199257/2
12	198473/2