

Order No.: 5XF2E42T08JA | GTIN (EAN): 4058352469064

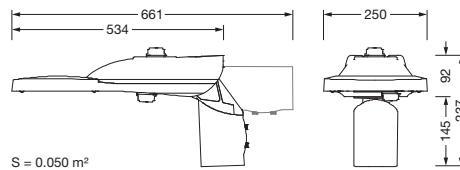
Product description: SL31mn,ST1.0a,12000lm740,D4i,Slbe/ab



Streetlight SL 31 mini, mast luminaire, primary light control with lens, of PMMA, primary optical cover: cover, of toughened safety glass, transparent, light distribution: ST1.0a, light emission: direct distribution, primary light characteristic: asymmetric, installation type: post-top, side-entry, LED, High Power LED, rated luminous flux: 12.000lm, luminous efficacy: 150lm/W, light colour: 740, colour temperature: 4000K, control gear: ECG Smart Interface, control: flexible luminous flux parameterisation, time-dependent luminous flux control, overheat protection, mains connection: 220..240V, AC, 50/60Hz, rated input power: 80W, luminaire housing, of diecast aluminium, powder-coated, Siteco® metallic grey (DB 702S), length: 534mm, width: 251mm, height: 92mm, protection rating (complete): IP66, insulation class (complete): insulation class II (safety insulation), certification: CE, ENEC, ENEC+, VDE, impact resistance: IK08, permissible operating ambient temperature for outdoor applications: -40..+50°C, standard-compliant lighting for roads and squares, packaging unit: 1 piece



Lamps:	LED
Wt. (kg):	5.8
GTIN (EAN):	4058352469064



It is mandatory that the assembly instructions must be observed when planning and installing the electrical installation (to be found at www.siteco.com)

Tolerances related to thermal, electrical and photometric data according to IEC 62722

Issued 24.02.2023 - Modifications and errors subject to change - Ensure that you always use the latest version -

Order No.: 5XF2E42T08JA | **GTIN (EAN):** 4058352469064

Detailed technical description: SL31mn,ST1.0a,12000lm740,D4i,SIbe/ab



Key data

- Product type: mast luminaire
- Product name: Streetlight SL 31 mini
- Order No.: 5XF2E42T08JA

Lighting technology | Lamps | Control gear

Component 1

Lighting technology:

- Light control: lens of PMMA
- Cover: cover, transparent
- Light distribution: ST1.0a
- Beam angle: wide distribution
- Symmetry: asymmetric distribution
- Light emission: direct distribution

Lamps:

- Lamps: with High Power LED, LED
- Rated luminous flux: 12000lm
- Luminous efficacy: 150lm/W
- Colour temperature: 4000K
- Colour rendering index: CRI > 70
- Light colour: 740
- SDCM (Standard Deviation of Colour Matching): MacAdam ≤ 5 SDCM (initial)
- Rated input power: 80W

Operating device:

- Control gear: ECG Smart Interface
- Control: D4i
- Equipment: overheat protection, time-dependent luminous flux control, flexible luminous flux parameterisation

Certificates, Standards

- Protection rating: IP66
- Insulation class: insulation class II (safety insulation)
- Impact resistance: IK08
- Temperature range (operation): -40..+50°C
- Supplement: standard-compliant lighting for roads and squares
- Certification, designation: CE, ENEC, ENEC+, VDE

Material, Colour

- luminaire housing: diecast aluminium, powder-coated, Siteco® metallic grey (DB 702S), inclination adjustable: 0°, 5°, 10°, 15° (post-top) | 0°, -5°, -10°, -15°, -20° (side-entry)
- Colour specification: Siteco® metallic grey (DB 702S)
- Cover: cover of toughened safety glass

Mounting

- Mounting method, mounting location: side-entry, post-top, on mast

Electrical connection

- Nominal voltage: 220..240V, 50/60Hz, AC
- Surge voltage resistance: 10kV 1.2/50µs

Dimensions, Weight

- Length: 534mm
- Width: 251mm
- Height: 92mm
- Weight: 5.8kg

Light emission

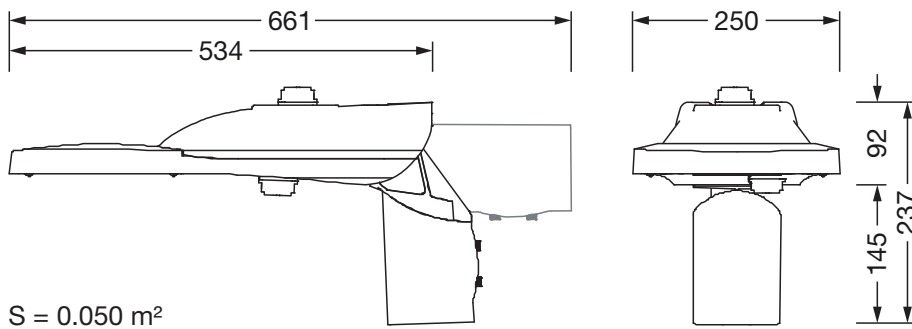
- Light emission: 0% at 0° inclination

Service life

- Rated service life: 100000h (L90) at AT = 25°C

Order No.: 5XF2E42T08JA | GTIN (EAN): 4058352469064

Dimensions: SL31mn,ST1.0a,12000lm740,D4i,SIbe/ab



It is mandatory that the assembly instructions must be observed when planning and installing the electrical installation (to be found at www.siteco.com)

Tolerances related to thermal, electrical and photometric data according to IEC 62722

Issued 24.02.2023 - Modifications and errors subject to change - Ensure that you always use the latest version -