

BRANCHING CONNECTORS KE 10

TECHNICAL DATA

Type	For cables mm ²	Weight g	Package pcs
KE 10.1	4 x (Al 10-35 / Cu 1,5-25)	45	10 / 50
KE 10.3	6 x (Al 10-35 / Cu 1,5-25)	65	10 / 50
KE 10.504	4 x (Al 10-50 / Cu 2,5-35)	45	10 / 50
KE 10.506	6 x (Al 10-50 / Cu 2,5-35)	70	10 / 50

USE The connectors can be used for aluminium and copper conductors. Tightening torque is 10 Nm.

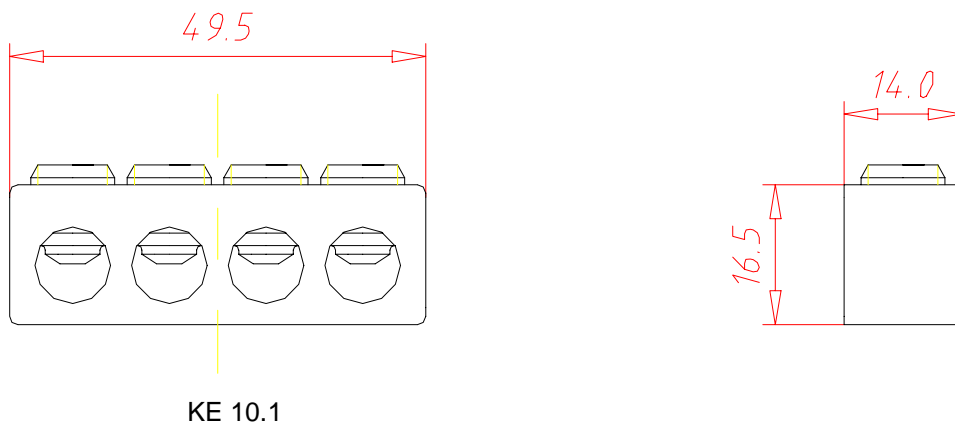
CONSTRUCTION

Component	Material
Covers	Plastic
Connecting parts	Tin-plated aluminium

TOOLS REQUIRED

Screwdriver

STANDARD SFS 2663, SFS 4644, Certificate FI - 165050 - 01...03



UTILITY NETWORKS

Ensto Sekko Oy
Kipinätie 1
PL 51
06101 Porvoo

Ensto Sekko Oy
Kipinätie 1
P.O. Box 51
06101 Porvoo
Finland

Tel. +358 (0) 204 76 21
Fax +358 (0) 204 76 2771
www.ensto.com

Reg. No. 166.780
Reg. office: Porvoo