

DEAD-END CLAMP SO 146

TECHNICAL DATA

Type	SO 146
For conductors	Al 25 - 132 mm ² Al/Fe 25 -99 mm ² AAAC, PAS 35 - 150 mm ²
Breaking strength	> 38 kN
Weight	800 g
Tightening torque	55 Nm / suspension bolt 16mm

USE For bare or covered AAC, AAAC or ACSR conductors

CONSTRUCTION

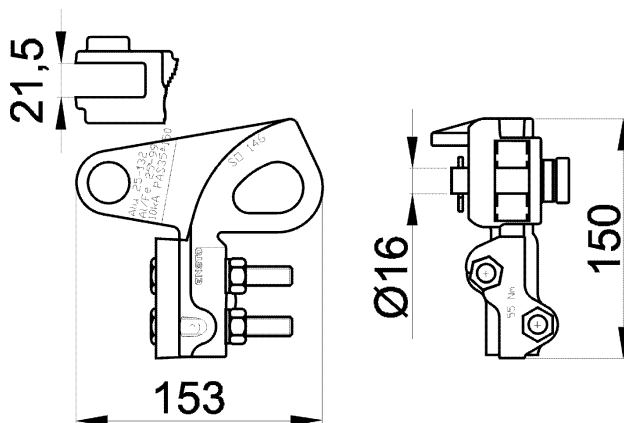
Component	Material
Body	Al alloy casting
Bolts	Hot dip galvanized

Installation covered conductor has to be peeled inside the clamp

MARKINGS SO 146, 10 kA PAS 35-150

STANDARD SFS 2663

PACKING 25 pcs in a cardboard box.



UTILITY NETWORKS

Ensto Sekko Oy
Kipinätie 1
PL 51
06101 Porvoo

Ensto Sekko Oy
Kipinätie 1
P.O. Box 51
06101 Porvoo
Finland

Tel. +358 (0) 204 76 21
Fax +358 (0) 204 76 2771
www.ensto.com

Reg. No. 166.780
Reg. office: Porvoo